

Hustler® Parts Manual

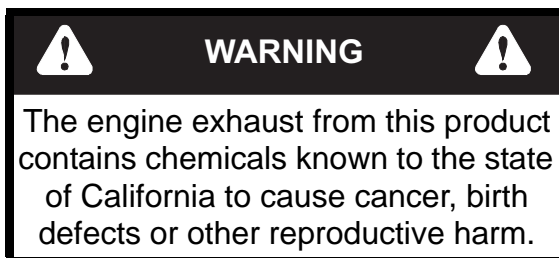


HUSTLER®
TURF EQUIPMENT

200 South Ridge Road

Hesston, Kansas

67062



NOTICE OF REQUIREMENT OF SPARK ARRESTER MUFFLER

This equipment may create sparks that can start fires around dry vegetation. California Public Resources Code Section 4442.6 provides that it is unlawful to use or operate an internal combustion engine on any forest-covered, brush-covered, or grass-covered land unless the engine is equipped with a spark arrester maintained in effective working order. A spark arrester is a device constructed of nonflammable materials specifically for the purpose of removing and retaining carbon and other flammable particles over 0.0232 of an inch in size from the exhaust flow of an internal combustion engine that uses hydrocarbon fuels or which is qualified and rated by the United States Forest Service. Other states or federal areas may have similar laws. The Operator Should Contact Local Fire Agencies For Laws or Regulations Relating to Fire Prevention Requirements. **THIS EQUIPMENT DOES NOT HAVE A SPARK ARRESTER AND YOU SHOULD CONTACT YOUR AUTHORIZED DEALER FOR THE PURCHASE OF A SPARK ARRESTER.**

Inspect spark arrester daily; replace every 500 hours or as needed.

The Engine Owner's Manual provides information regarding the U.S. Environmental Protection Agency (EPA) and the California Emission Control Regulation of emission systems, maintenance and warranty.

Keep Engine Owner's Manual with your unit. Should the Engine Owner's Manual become damaged or illegible, replace immediately. Replacements may be ordered per the information found in the Product Information section of the owner's manual.

Federal law and California State law prohibit the following acts or the causing thereof:

1. The removal or rendering inoperative by any person other than for purposes of maintenance, repair, replacement, of any device or element of design incorporated into any equipment for the purposes of emissions control prior to or after its sales or delivery to the ultimate purchaser or while it is in use, or
2. The use of the equipment after such device or element of design has been removed or rendered inoperative by any person.

General Information Page 1

Frame & Engine Guard

Frame 2-1
Engine Guard 2-2

Transmissions, Drive Belt, Steering & Brake

Transmissions & Drive Belt (Multi-Page) 3-1
SERVICE PARTS - 608495 & 608496 Transmissions 3-2
Steering 3-3
Steering Cover Assembly (Multi-Page) 3-4
Right Steering Box Assembly 3-5
Left Steering Box Assembly 3-6
Brake 3-7

Wheels & Tires

Wheels & Tires 4-1
Front Wheel & Fork 4-2
SERVICE PARTS - 606745 Front Tire/Wheel 4-3
Drive Wheel Assembly 4-4

Engine, Muffler, Clutch & Fuel System

Engine, Clutch & Muffler (Multi-Page) 5-1
Engine Service Parts - FX850V EFI 5-2
Fuel System 5-3
LS Fuel Tank Service Parts - 608681 5-4
RS Fuel Tank Service Parts - 608682 5-5

Instrument Panel, Wire Harness & Battery

Instrument Panel (Multi-Page) 6-1
Battery 6-2

Deck, Deck Belt, Blades & Deck Lift

Service Deck 7-1
Deck Pulleys & Spindles 7-2
SERVICE PARTS - 607407 Spindle 7-3
Deck, Deck Belt & Blades (Multi-Page) 7-4
Deck Lift & Deck Height (Multi-Page) 7-5

Seat & ROPS

Seat & Floor Plan (Multi-page) 8-1
Seat Service Parts - 608935 8-2
ROPS 8-3

General Information

Note: When ordering parts, you must use the part number as shown for each part, not the index number. Always give the model and serial number to your parts and service representative.

Note: Items sold in bulk such as seals and hoses are sold by the foot.

Using This Manual

This manual is part of a service package for the Hustler® mowers. Use of this manual in conjunction with other Hustler® mower and component manuals will provide the information necessary to service and maintain Hustler® mowers.

This Parts Manual provides a complete parts listing for the unit. Use this manual when ordering parts. Illustrations used were current at the time of printing, but subsequent production changes may cause your machine to vary slightly in detail. Excel Industries, Inc. reserves the right to redesign and change the machine as deemed necessary, without notification. If a change has been made to your machine which is not reflected in this parts manual, see your authorized dealer for current information and parts.

The Service Manual is a service guide for use by Service Technicians. It provides the necessary information needed to perform normal maintenance requirements on these units.

The Operator's Manual provides fundamental operational information and operational safety that is needed when operating the mower.

The component manuals are furnished by the various manufacturers to be used for the troubleshooting and servicing of their products.

Hardware Description Codes & Abbreviations

The following codes are used throughout this parts manual. Refer to this list when ordering parts.

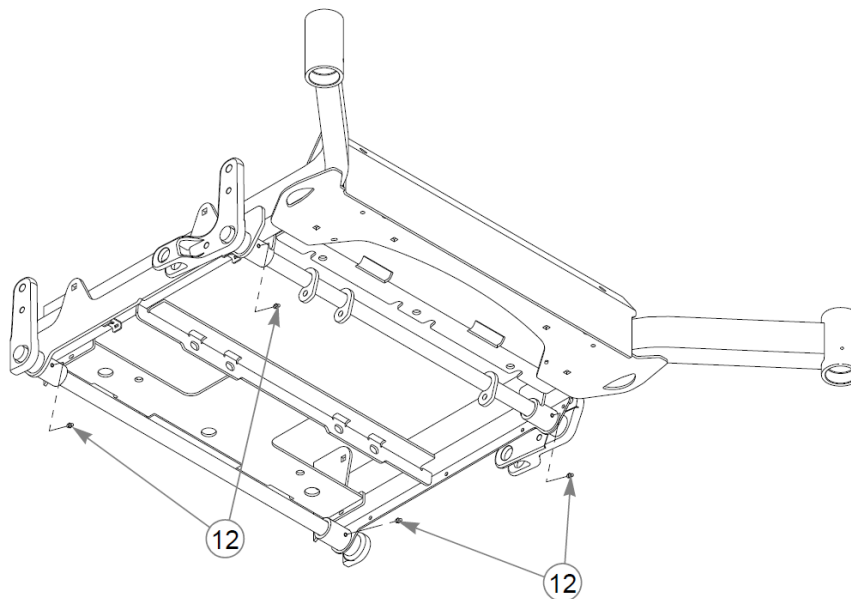
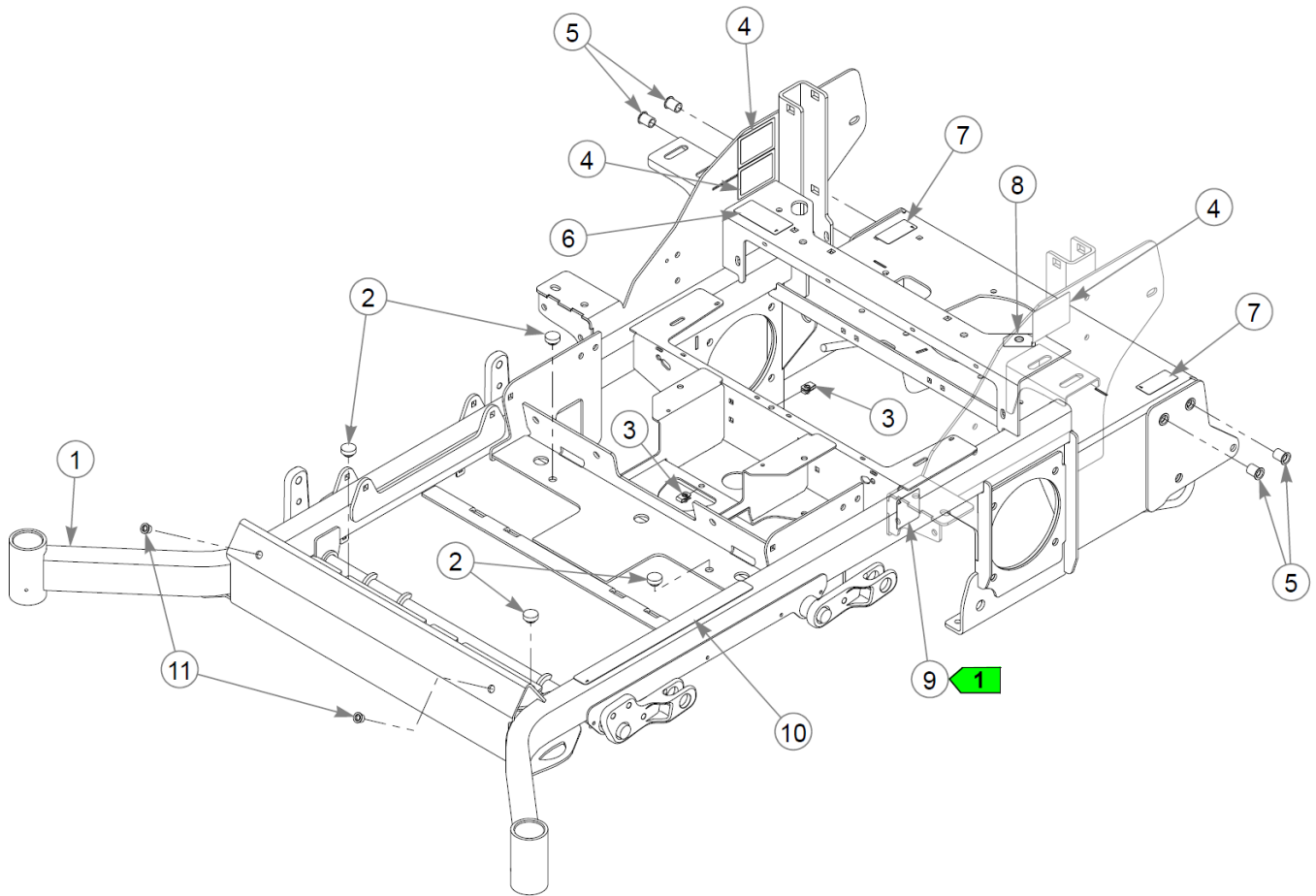
ABBREVIATION	DESCRIPTION	ABBREVIATION	DESCRIPTION
CB	CARRIAGE BOLT	MB	MACHINE BUSHING
CE	CLEVIS PIN	MS	MACHINE SCREW
CN	CLIP NUT	NT	NUT
CP	COTTER PIN	SC	SELF TAPPING CAP SCREW
CS	CAP SCREW	SH	SOCKET HEAD
CW	CUP WASHER	SB	SHOULDER BOLT
FDRW	FENDER WASHER	SS	SET SCREW
FW	FLAT WASHER	OD	OUTSIDE DIAMETER
HX	HEX HEAD	ID	INSIDE DIAMETER
LW	LOCK WASHER	WN	WELD NUT

Standard Torques

The following chart lists the standard torque values for the threaded fasteners found in this manual. Torque all cap screws, nuts and set screws to these values unless a different torque is shown in the Notes section next to the fastener.

SIZE	FT-LBS	N•M	SIZE	FT-LBS	N•M
.250	8.2	11.1	M3	1	1.3
.312	17	23	M4	2.2	3
.375	30	40	M5	4.5	6.1
.438	48	65	M6	7.7	10.4
.500	73	99	M8	18.5	25
.562	105	143	M10	37	50
.625	145	200	M12	64	87
.750	260	350	M14	80	108.5
.875	420	565	M16	160	215
1.00	625	850	M20	320	435
			M24	555	750

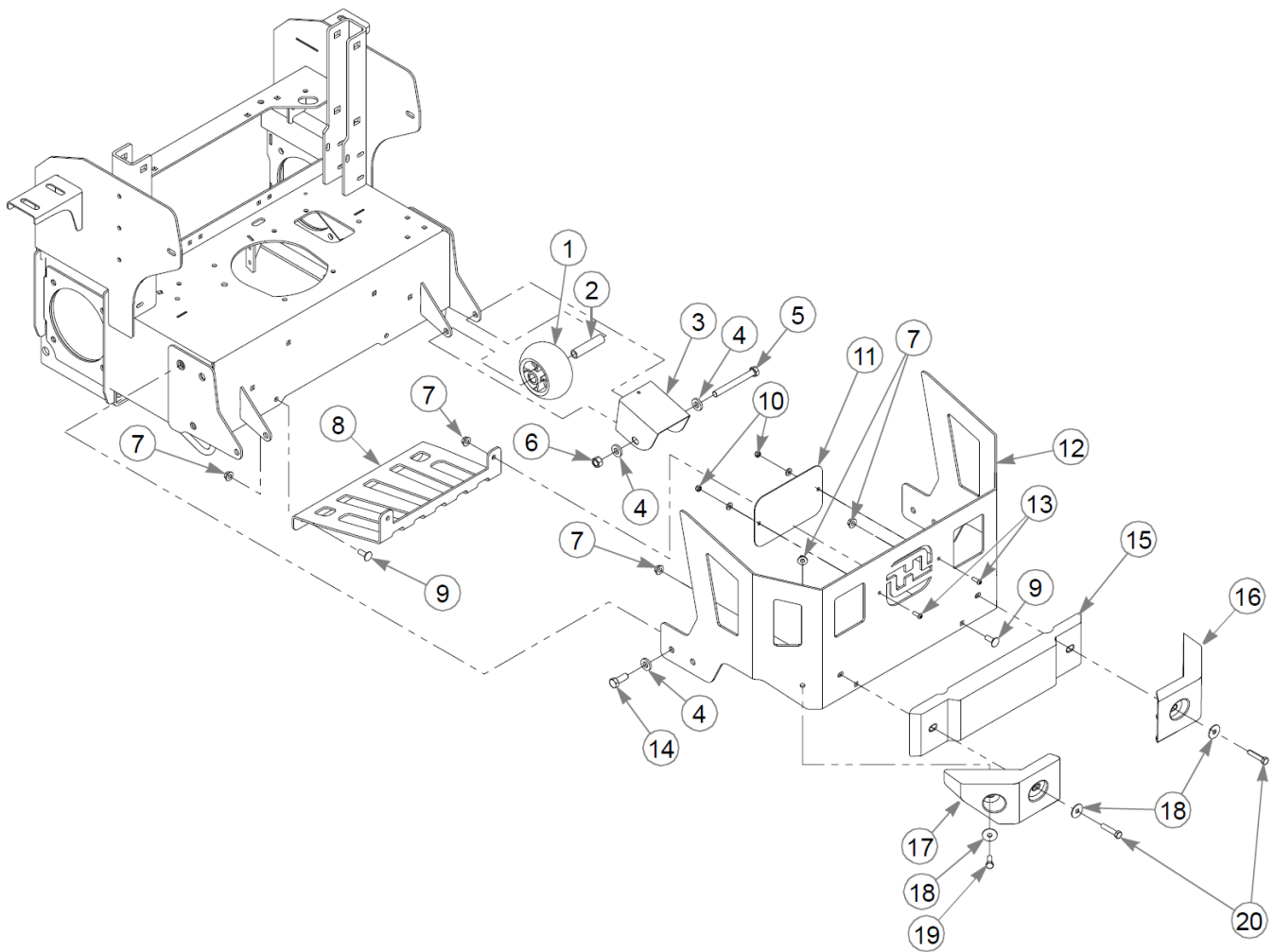
This page intentionally left blank



Item	Part No.	Qty	Name
1	556432	1	SVC FRAME
2	781880	4	BUMPER, .500x 1.00x .31
3	601982	2	CN .250-20X .150 MAX THK
4		3	SERIAL NUMBER / SPEC. DECAL
5	600961	4	RIVET NUT, 1/2-13 THREAD
6	601967	1	DECAL, ENGINE COMPART
7	602041	2	DECAL, HOT
8	791848	1	DECAL, FUEL INDICATOR- M
9	607782	1	DECAL, DBA 115 ISO
10	601993	1	DECAL, SAFE OPERATION
11	808485	2	RIVET NUT, 5/16-18 THRE
12	015495	4	GREASE FITTING STRAIGHT

Comments for Page: Frame

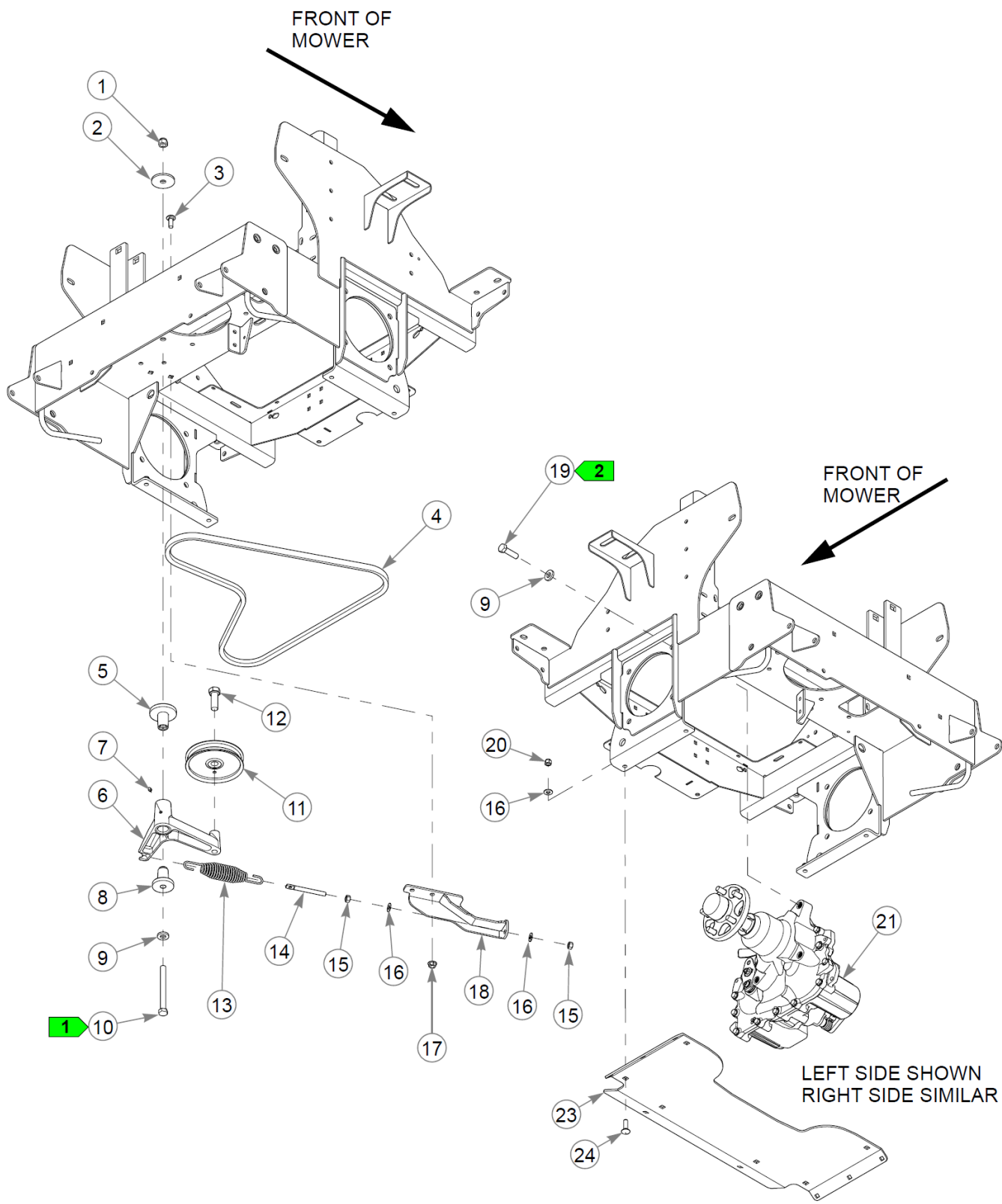
- 1. Decal, 607782, on EX units only.



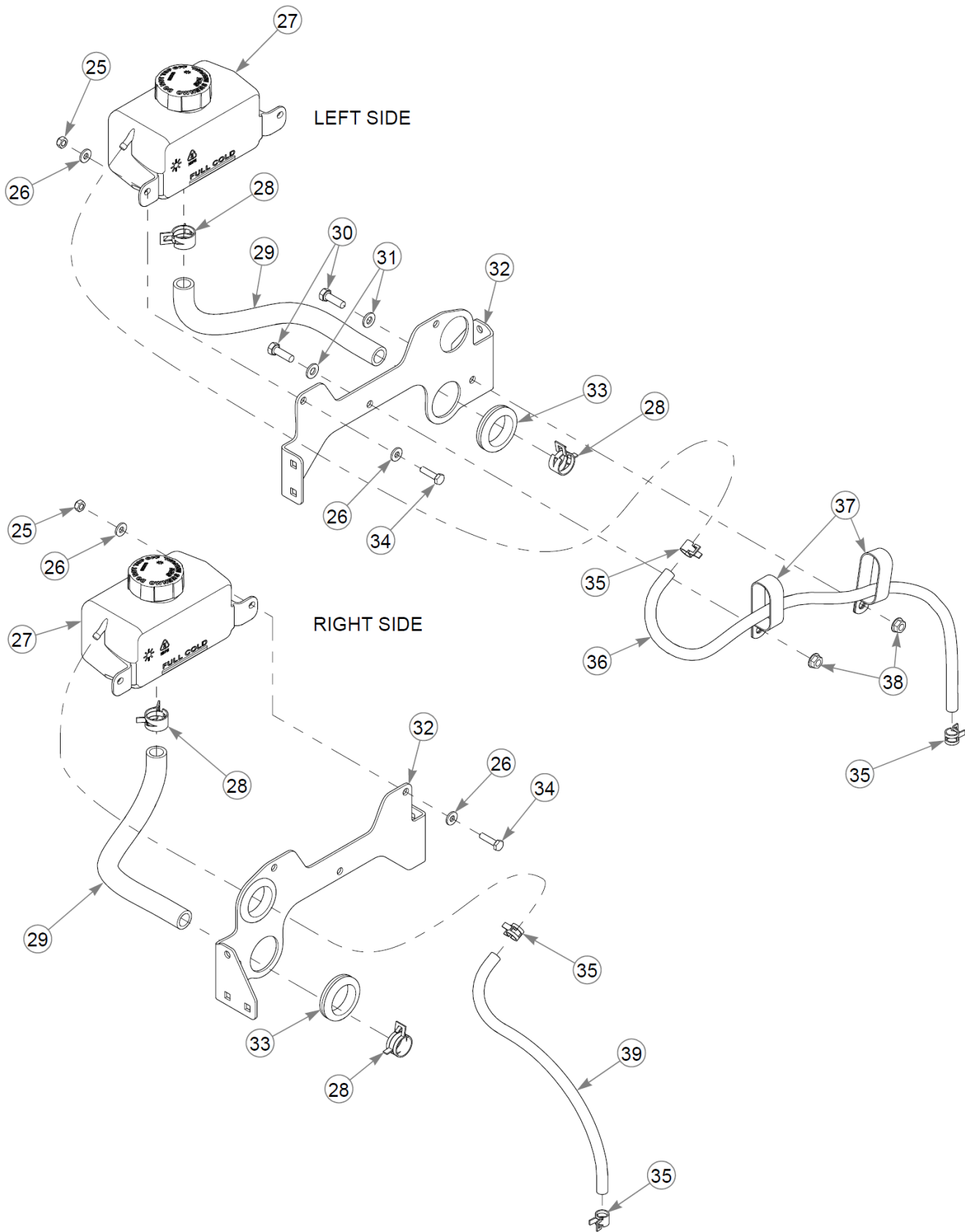
Engine Guard

72" X-ONE Parts Manual - 941971 -
HTXHGX072KAWFX850VEFIA

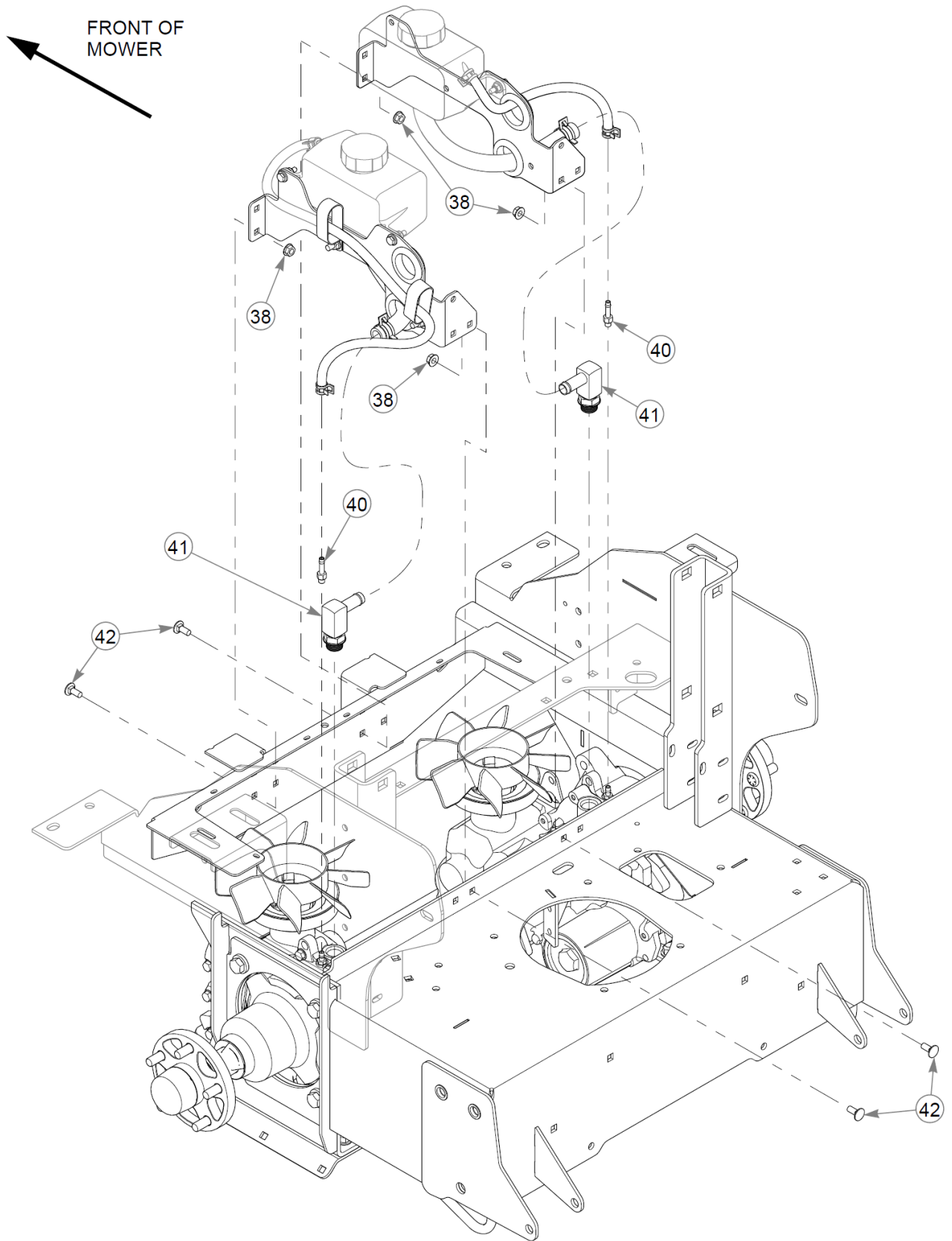
Item	Part No.	Qty	Name
1	602263	2	WHEEL, ANTI-SCALP
2	602345	2	SPACER, ANTI-SCALP 3.22
3	128476-6	2	HEAT SHIELD, ROLLER
4	767962	8	FW .531 x 1.063 x .175
5	068239	2	CS .500-13X4.500HXG5
6	008193	2	NT .500-13HXG5
7	016899	8	NT .375-16 FLKG5
8	126190-6	1	MUFFLER GUARD
9	025395	4	CB .375-16X 1.00 G5 ZN
10	016816	2	NT .250-20FLKG5
11	128420-6	1	BACKER H LOGO
12	128428-1	1	ENGINE GUARD
13	605473	2	CS .250-20X0.75 BH TX BZ
14	705954	4	CS .500-13X1.25 HX G5 ZN
15	606657	1	PLASTIC BUMPER, CENTER
16	606659	1	PLASTIC BUMPER, RH
17	606658	1	PLASTIC BUMPER, LH
18	705137	4	FW 0.391X1.25X.06 ZN
19	705178	2	CS .375-16X1.750HXG5
20	036244	2	CS .375-16X1.00 HX G5 ZN



This page intentionally left blank



This page intentionally left blank



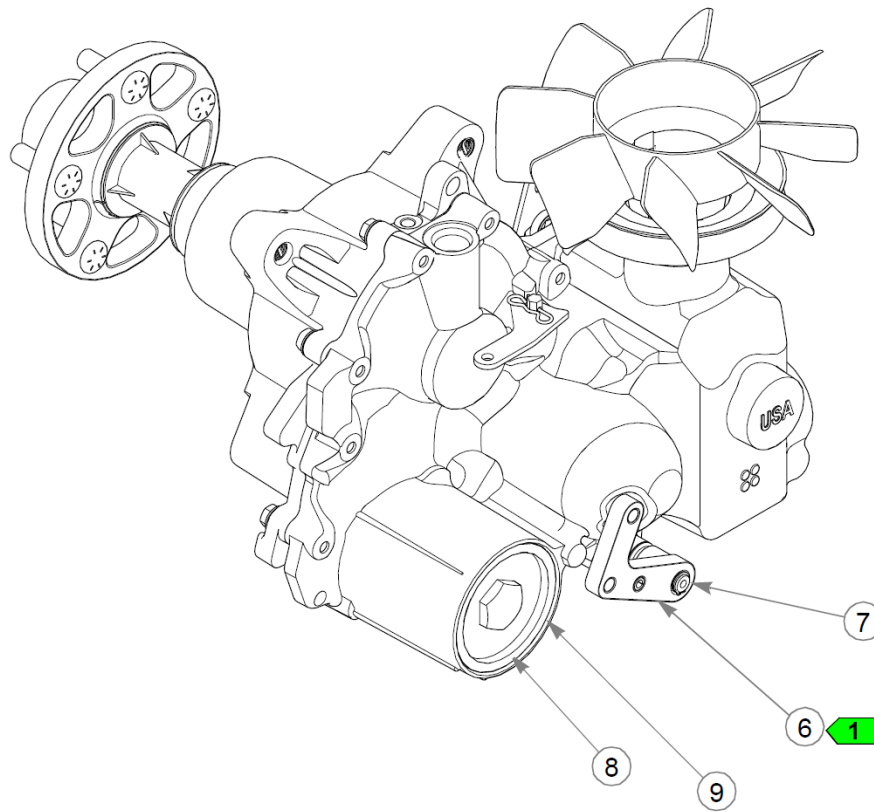
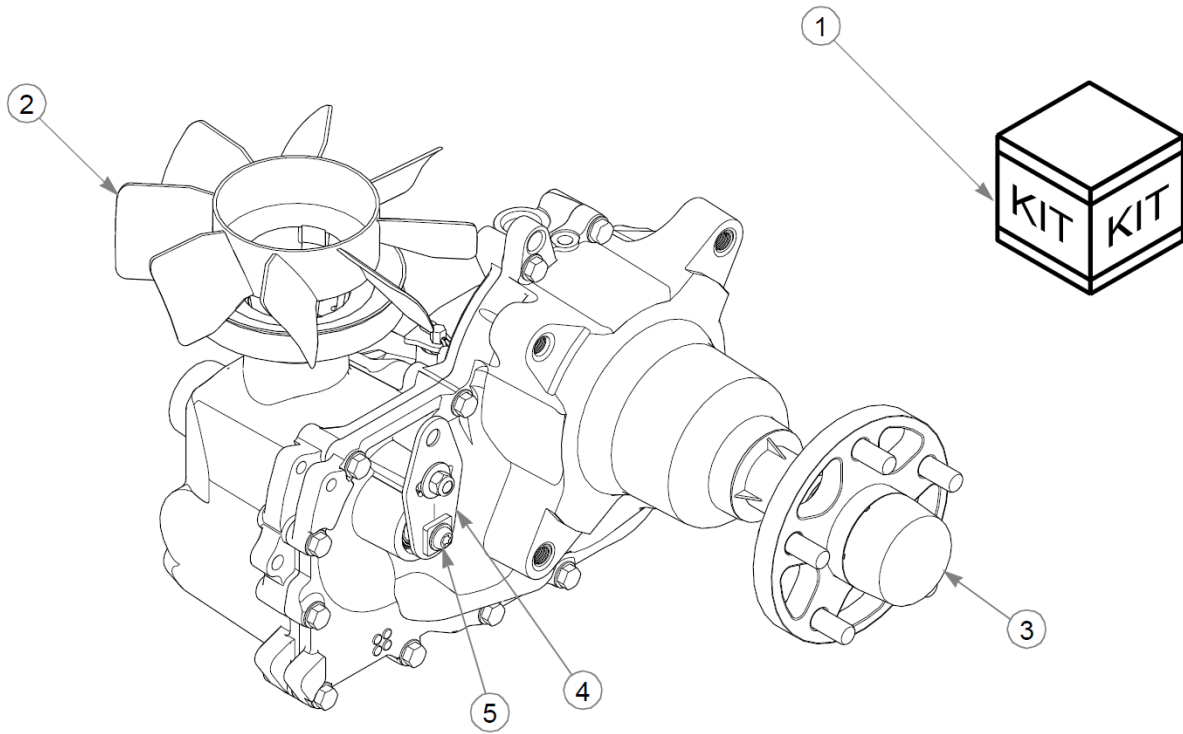
Item	Part No.	Qty	Name
1	781567	1	NT .500-13NLG5
2	344267	1	FW .510X2.15X.19 ZN
3	025395	2	CB .375-16X 1.00 G5 ZN
4	603904	1	DRIVE BELT
5	602880	1	BUSHING, IDLER PIVOT
6	608005	1	TENSIONER CAST
7	015495	1	GREASE FITTING STRAIGHT
8	602879	1	BUSHING, IDLER PIVOT
9	767962	9	FW .531 x 1.063 x .175
10	051151	1	CS .500-13X5.000HXG5
11	602304	1	PULLEY, 5" FLAT IDLER
12	025007	1	CS .62511X1.750HXG5
13	781302	1	IDLER SPRING
14	601486	1	EB, .375-16X3.00 FULTHD
15	054502	2	NT .375-16HXG5
16	767954	6	FW 0.379X.82X.06 HD ZN
17	016899	2	NT .375-16 FLKG5
18	127710-1	1	SUPPORT WA - SPRING
19	608390	8	CS .500-13X1.750 FULHXG8
20	086660	4	NT .375-16NLG8
21	608495	1	TRANSMISSION - ZT4400
22	608496	1	TRANSMISSION - ZT4400
23	128385-1	1	SKID PLATE
24	603113	4	CB .375-16X1.250 G5 ZN
25	068551	4	NT .250-20 HXZY NL
26	768515	8	FW 0.281SAE
27	608057	2	1L EXPANSION TANK
28	608291	4	CLAMP, -10 CONS TEN
29	608917	2	HOSE - HYDRAULIC
30	036236	2	CS .312-18X1.000HXG5
31	768523	2	FW 0.343SAE
32	127740-1	2	SUPPORT - RESERVOIR
33	794644	2	GM 1.50 X 2.12 X 1.75
34	056077	4	CS .250-20X1.000HXG5
35	000323	4	CLIP, HOSE CLAMP

This page intentionally left blank

Item	Part No.	Qty	Name
36	608918	1	HOSE - HYDRAULIC
37	045088	2	HOSE CLAMP 1" (FS)
38	016832	10	NT .312-18FLKG5
39	608919	1	HOSE - HYDRAULIC
40	608839	2	FTG - STR, -2ORB -4BT
41	608840	2	FTG - 90, -10ORB -10BT
42	016253	8	CB .312-18X .750 FUL ZN

Comments for Page: Transmissions & Drive Belt (Multi-Page)

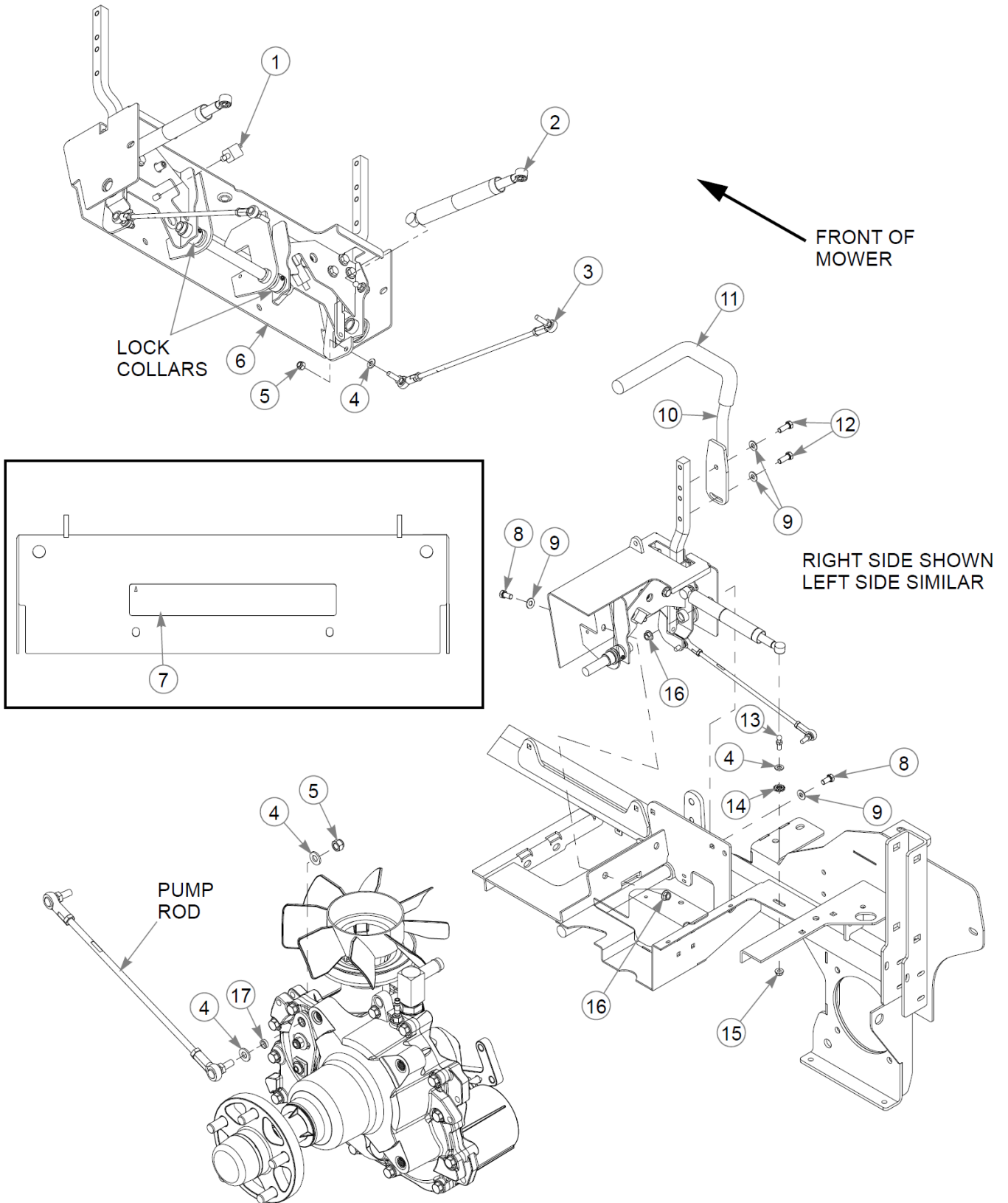
1. Torque to 71–75 ft-lbs. The tensioner must pivot freely.
2. Torque to 95-115 ft-lbs.



Item	Part No.	Qty	Name
	608495	1	TRANSMISSION - ZT4400
	608496	1	TRANSMISSION - ZT4400
1	609014	1	KIT - SEAL PRO
2	609015	1	KIT - FAN & PULLEY
3	609016	1	KIT - HUB, 5 BOLT
4	609017	1	ARM - CONTROL
5	609022	1	SCREW - CONTROL ARM
6	609018	1	KIT - BRAKE ARM, L
	609019	1	KIT - BRAKE ARM, R
7	600972	1	CLIP, RETAINING
8	609020	1	KIT - OIL FILTER
9	609021	1	KIT - OIL FILTER CAP

Comments for Page: SERVICE PARTS - 608495 & 608496 Transmissions

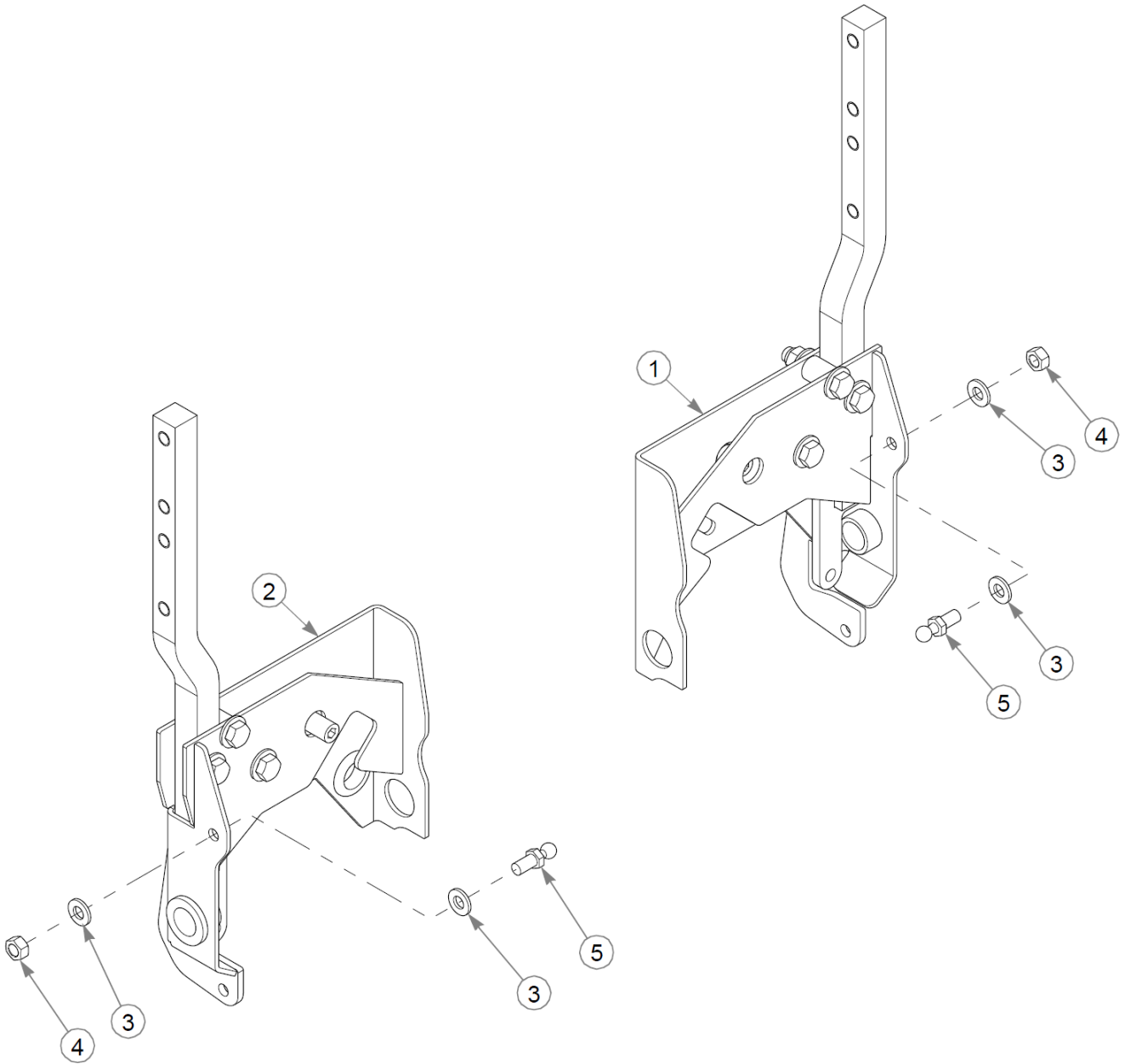
- 1. Break arm 609018 for transmission 608495.
 Break arm 609019 for transmission 608496.



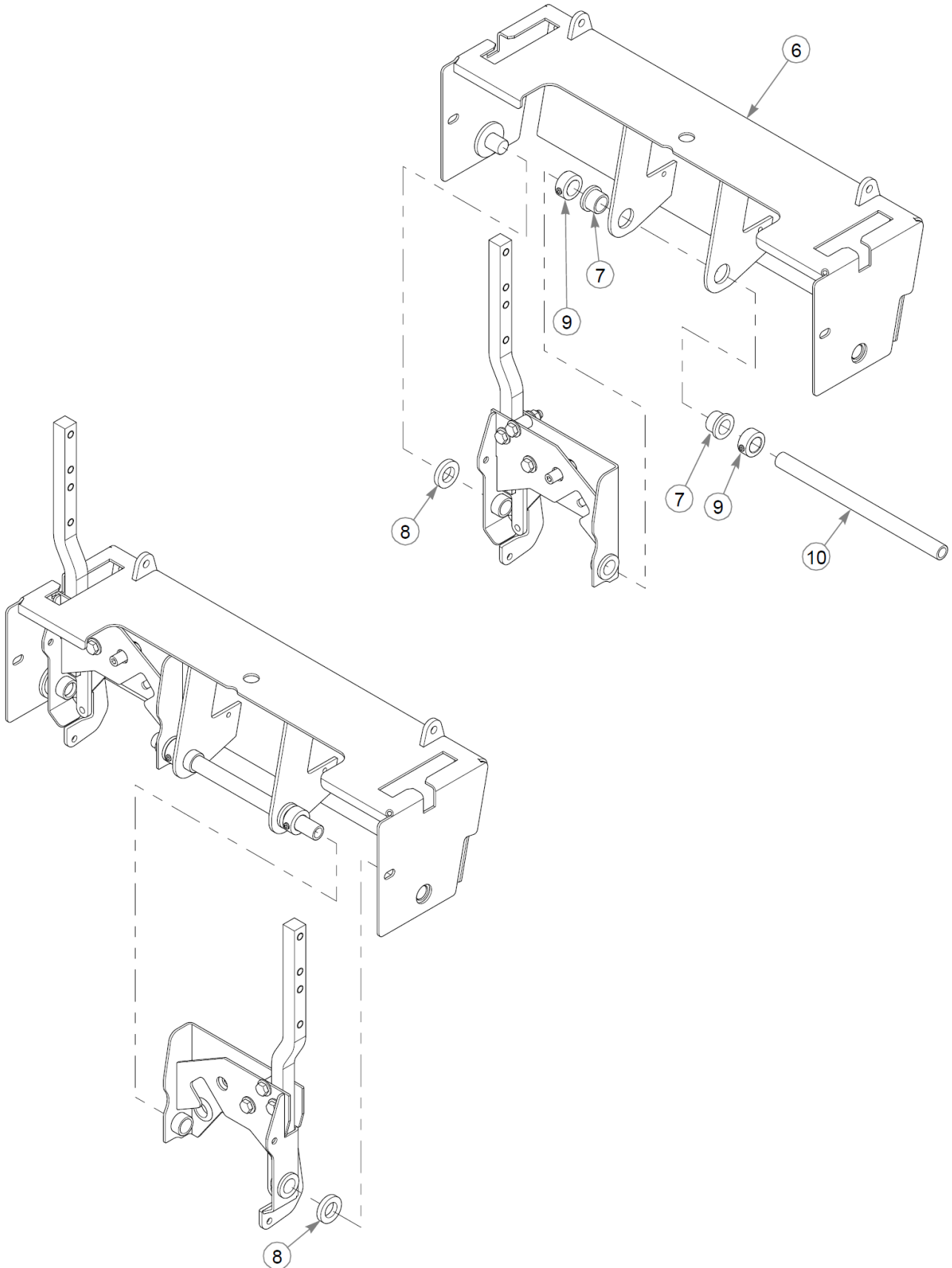
Steering

72" X-ONE Parts Manual - 941971 -
HTXHGX072KAWFX850VEFIA

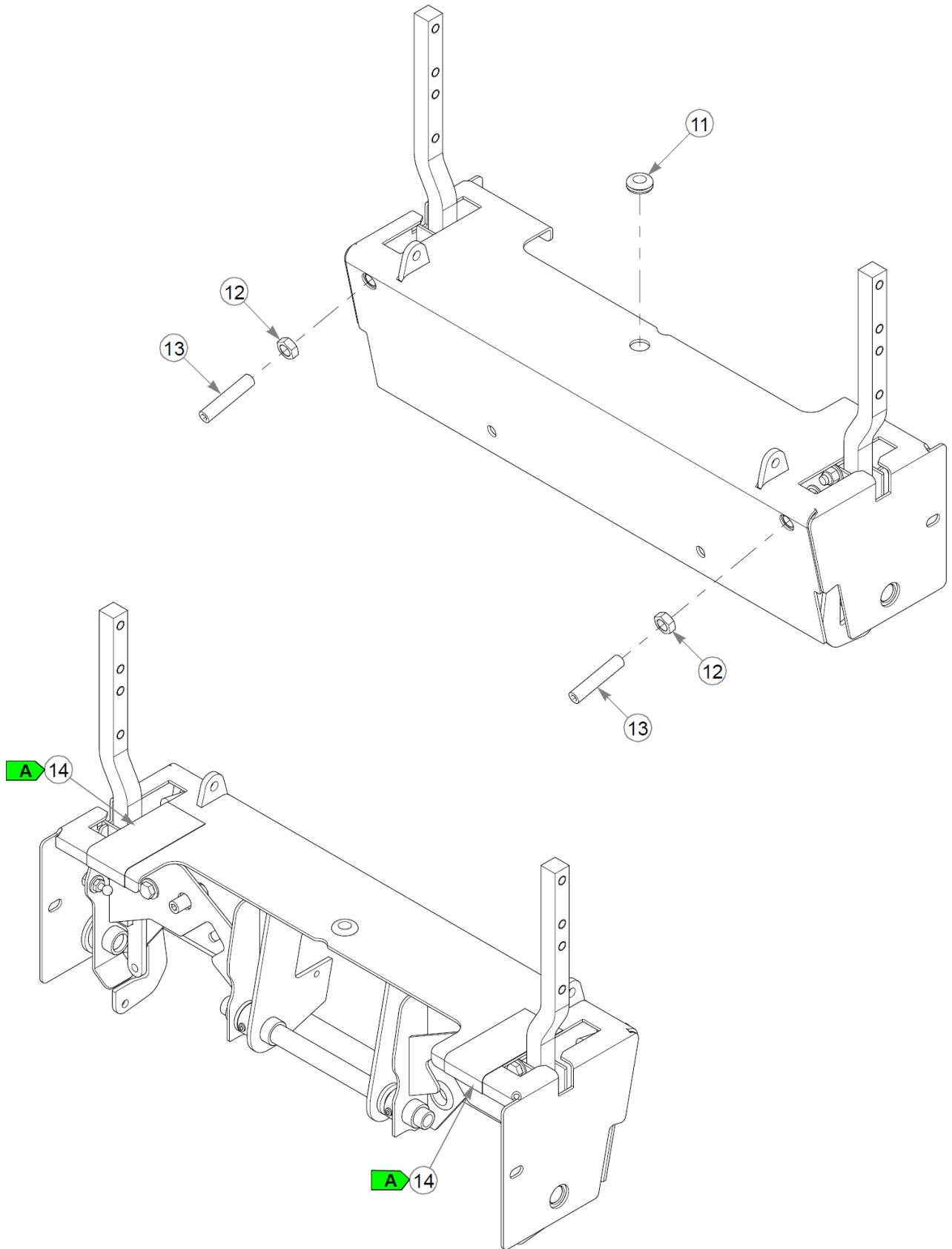
Item	Part No.	Qty	Name
1	601087	2	SWITCH, PLUNGER N.O.
2	795351	2	DAMPER, CENTERING
3	608820	2	PUMP ROD ASSEMBLY
4	768523	8	FW 0.343SAE
5	023655	4	NT 0.312-24 NL G8
6		1	STEERING COVER ASSEMBLY
7	608098	1	DECAL, X-ONE
8	055822	4	CS .375-16X0.75 HX G5 ZN
9	767954	8	FW 0.379X.82X.06 HD ZN
10	608823	2	HANDLE ASSEMBLY
11	781260	2	GRIP, STEERING BAR
12	036244	4	CS .375-16X1.00 HX G5 ZN
13	781922	2	BALL STUD
14	029876	2	LW .312 INTEXT ZN
15	016832	2	NT .312-18FLKG5
16	016899	4	NT .375-16 FLKG5
17	604456	2	SPACER, PUMP ARM



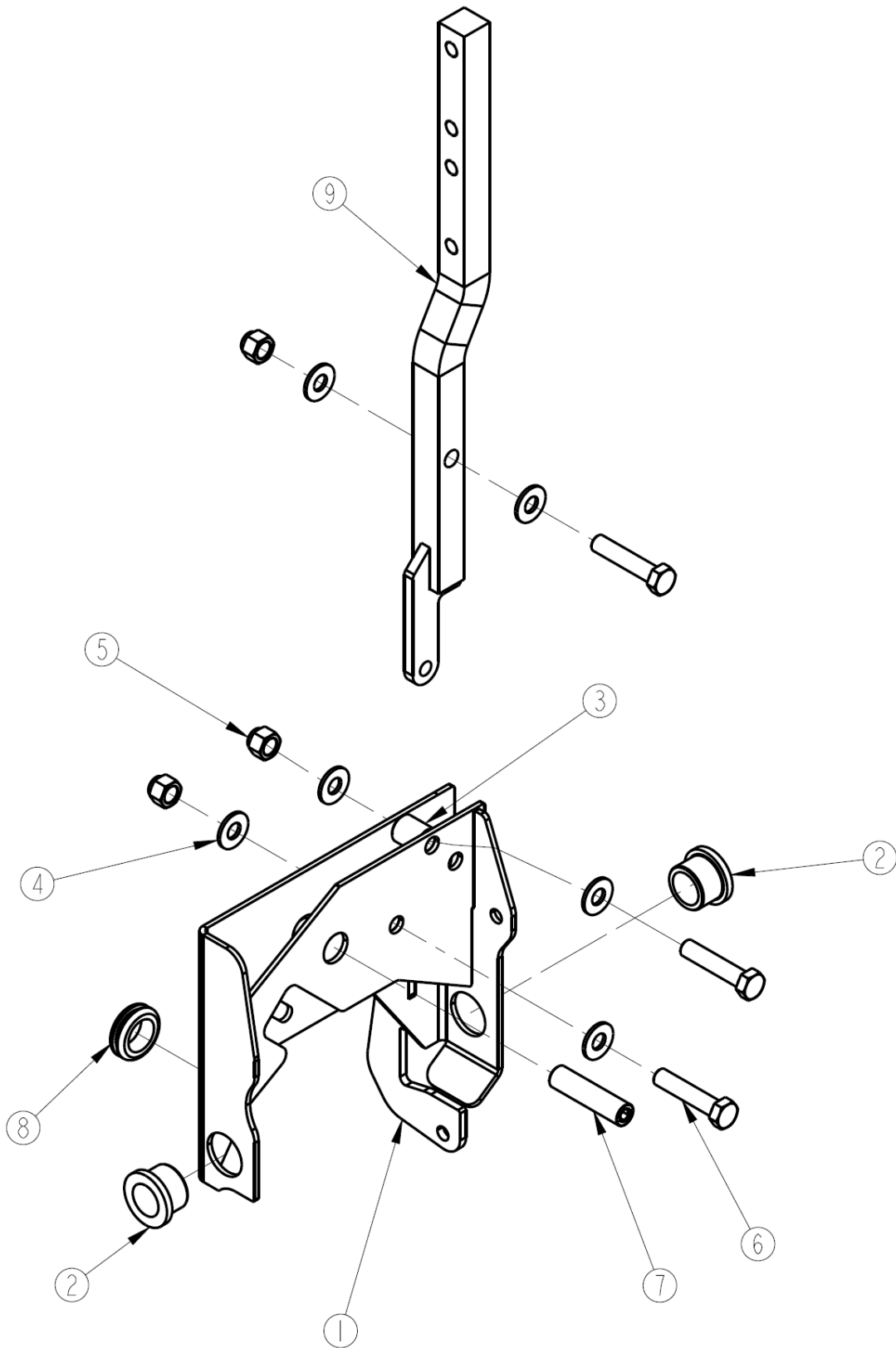
This page intentionally left blank



This page intentionally left blank



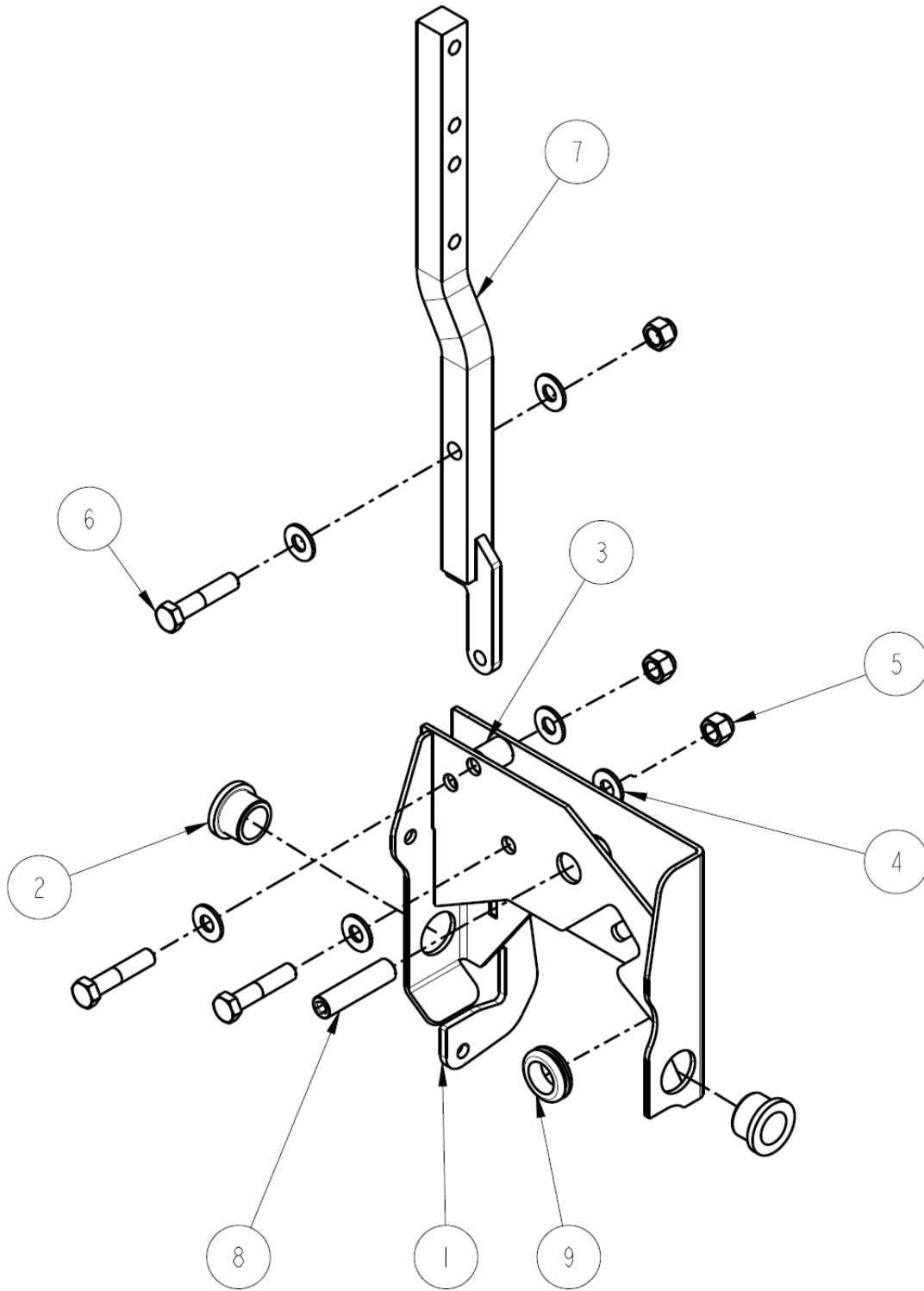
Item	Part No.	Qty	Name
1	608821	1	STEERING BOX, RH
2	608822	1	STEERING BOX, LH
3	768523	4	FW 0.343SAE
4	034272	2	NT .312-18HXG5
5	781922	2	BALL STUD
6	556578	1	SVC, STEERING COVER, SZ
7	608000	2	BUSHING
8	778399	2	FW .781X1.38X.25 ZN
9	784439	2	LOCK COLLAR,0.757 ID(FS)
10	113007	1	STEER PIVOT TUBE, SZ
11	080358	1	GM .50X1.00X.75X.12
12	053199	2	NT .500-13JAMG5
13	603055	2	SS .500-13X 2.50 SH ZN
14	722199P	1	POLYURETHANE 2" FS - 1 FT



Right Steering Box Assembly

72" X-ONE Parts Manual - 941971 -
HTXHGX072KAWFX850VEFIA

Item	Part No.	Qty	Name
1	123306	1	STEERING BOX W/A, RH
2	608000	2	BUSHING
3	348862	2	STEERLEVER BUSHING (PLA
4	767954	6	FW 0.379X.82X.06 HD ZN
5	086660	3	NT .375-16NLG8
6	705178	3	CS .375-16X1.750HXG5
7	797738	1	SS .500-13X2.000SH
8	047456	1	GM .750X.188X1.00X.12
9	608824-4	1	STEERING ARM

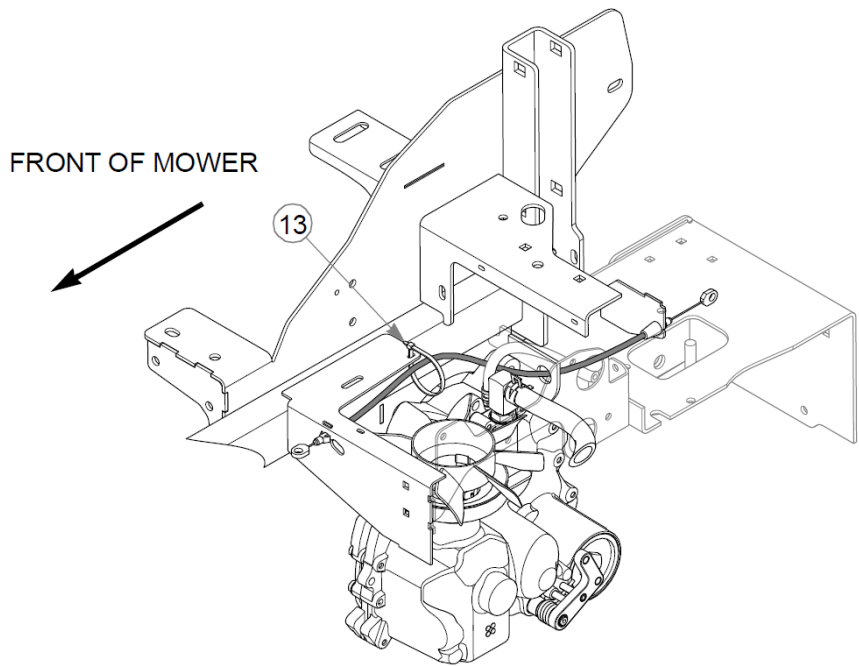
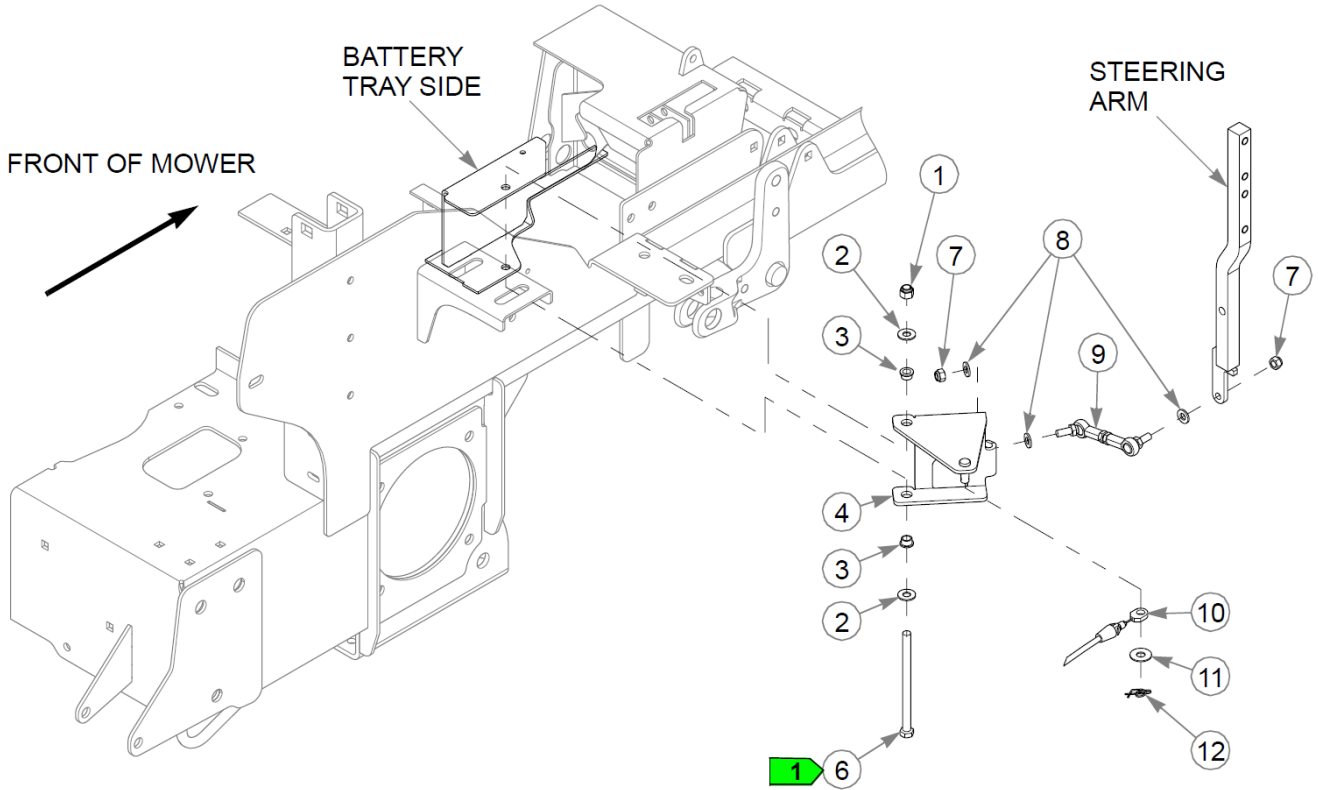


Left Steering Box Assembly

72" X-ONE Parts Manual - 941971 -
HTXHGX072KAWFX850VEFIA

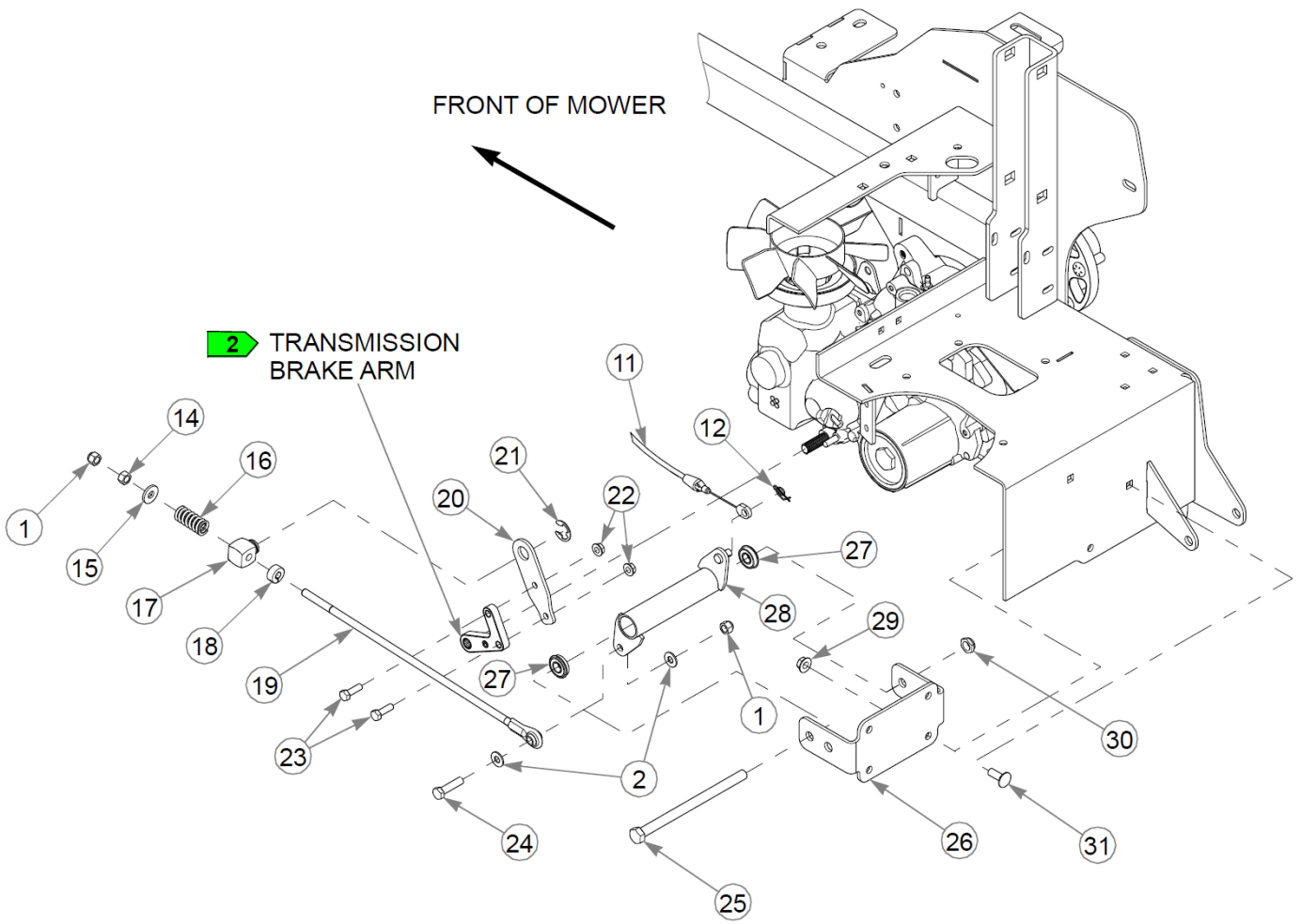
Item	Part No.	Qty	Name
1	123305	1	STEERING BOX W/A, LH
2	608000	2	BUSHING
3	348862	2	STEERLEVER BUSHING (PLA
4	767954	6	FW 0.379X.82X.06 HD ZN
5	086660	3	NT .375-16NLG8
6	705178	3	CS .375-16X1.750HXG5
7	608824-4	1	STEERING ARM
8	797738	1	SS .500-13X2.000SH
9	047456	1	GM .750X.188X1.00X.12

RIGHT SIDE SHOWN
LEFT SIDE SIMILAR



This page intentionally left blank

RIGHT SIDE SHOWN
LEFT SIDE SIMILAR



Item	Part No.	Qty	Name
1	086660	6	NT .375-16NLG8
2	767954	8	FW 0.379X.82X.06 HD ZN
3	765339	4	BUSHING,IGUS#0608 (FS)
4	128433-6	1	W/A, BELLCRANK RH
5	128432-6	1	W/A, BELLCRANK LH
6	748913	2	CS .375-16x5.50 GR5 ZN
7	023655	4	NT 0.312-24 NL G8
8	768523	6	FW 0.343SAE
9	781583	2	BRAKE ROD ASSEMBLY
10	608986	2	CABLE, PUSH-PULL
11	076422	2	FW 0.406X1.00X.06 ZN
12	607093	4	CP, RUE RING .054 X .392
13	000331	2	WIRE TIE, SMALL/SHORT
14	054502	2	NT .375-16HXG5
15	712919	2	FW 0.406X1.00X.12 HD ZN
16	608946	2	SPRING, COMPRESSION
17	608837-4	2	PIVOT BLOCK
18	608985	2	LOCK COLLAR, .375 ID
19	608831	2	BRAKE ROD ASSEMBLY
20	128307-4	2	LEVER, BRAKE
21	781294	2	CLIP E, 1.00 X.625X .05
22	016832	4	NT .312-18FLKG5
23	036236	4	CS .312-18X1.000HXG5
24	080655	2	CS .375-16X1.500HXG5
25	767129	2	CS .500-13X7.500HXG5
26	128429-6	2	BRACKET, BRAKE PIVOT
27	608254	4	BEARING
28	128305-4	2	W/A, BRAKE PIVOT
29	016899	4	NT .375-16 FLKG5
30	707398	2	NT .500-13 JAM NY LK
31	025395	4	CB .375-16X 1.00 G5 ZN

Comments for Page: Brake

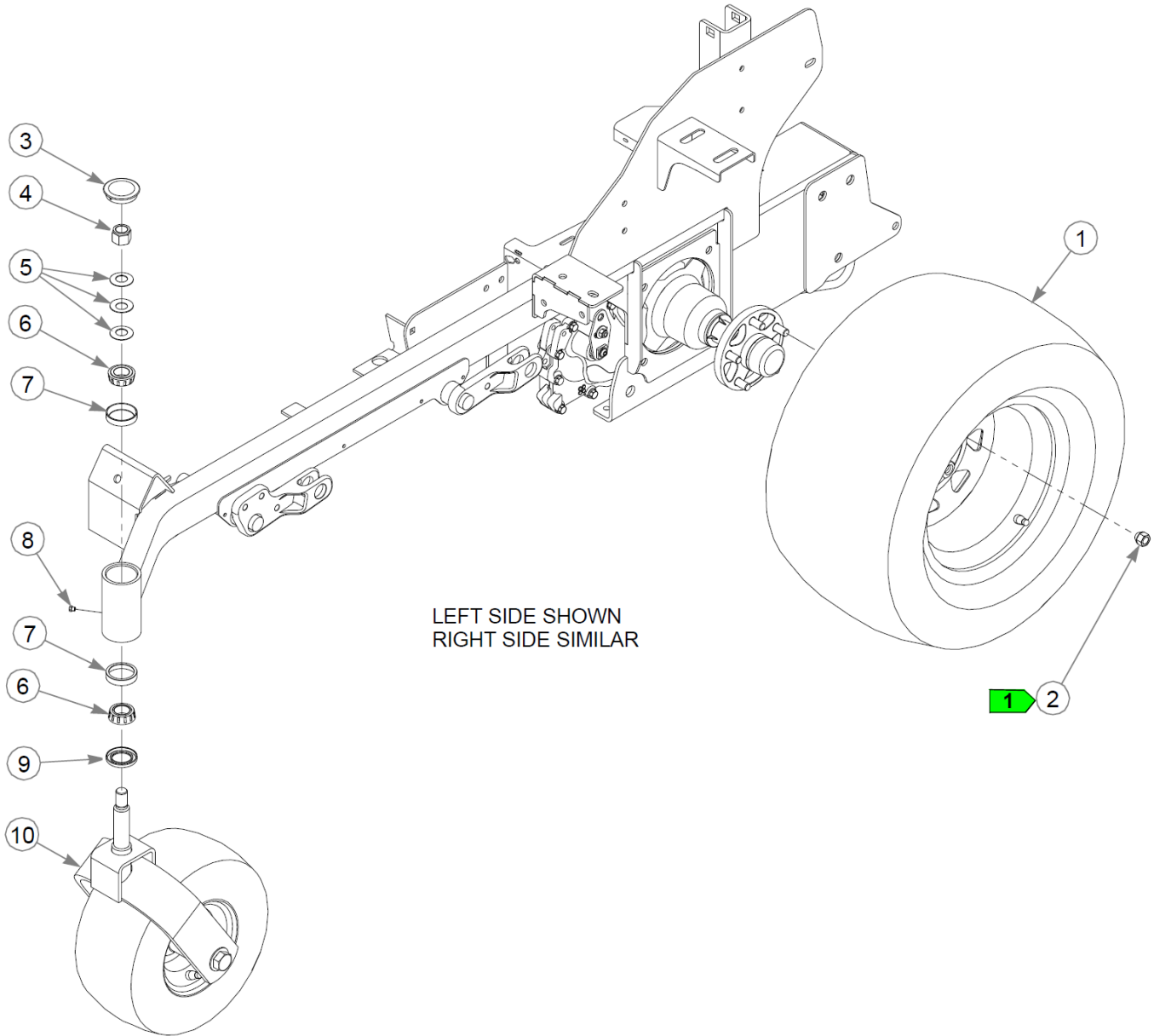
1. Do not torque; the nut should be snug but allow the brake bellcrank to pivot freely.

Brake

72" X-ONE Parts Manual - 941971 -
HTXHGX072KAWFX850VEFIA

2. Part of the transmission.

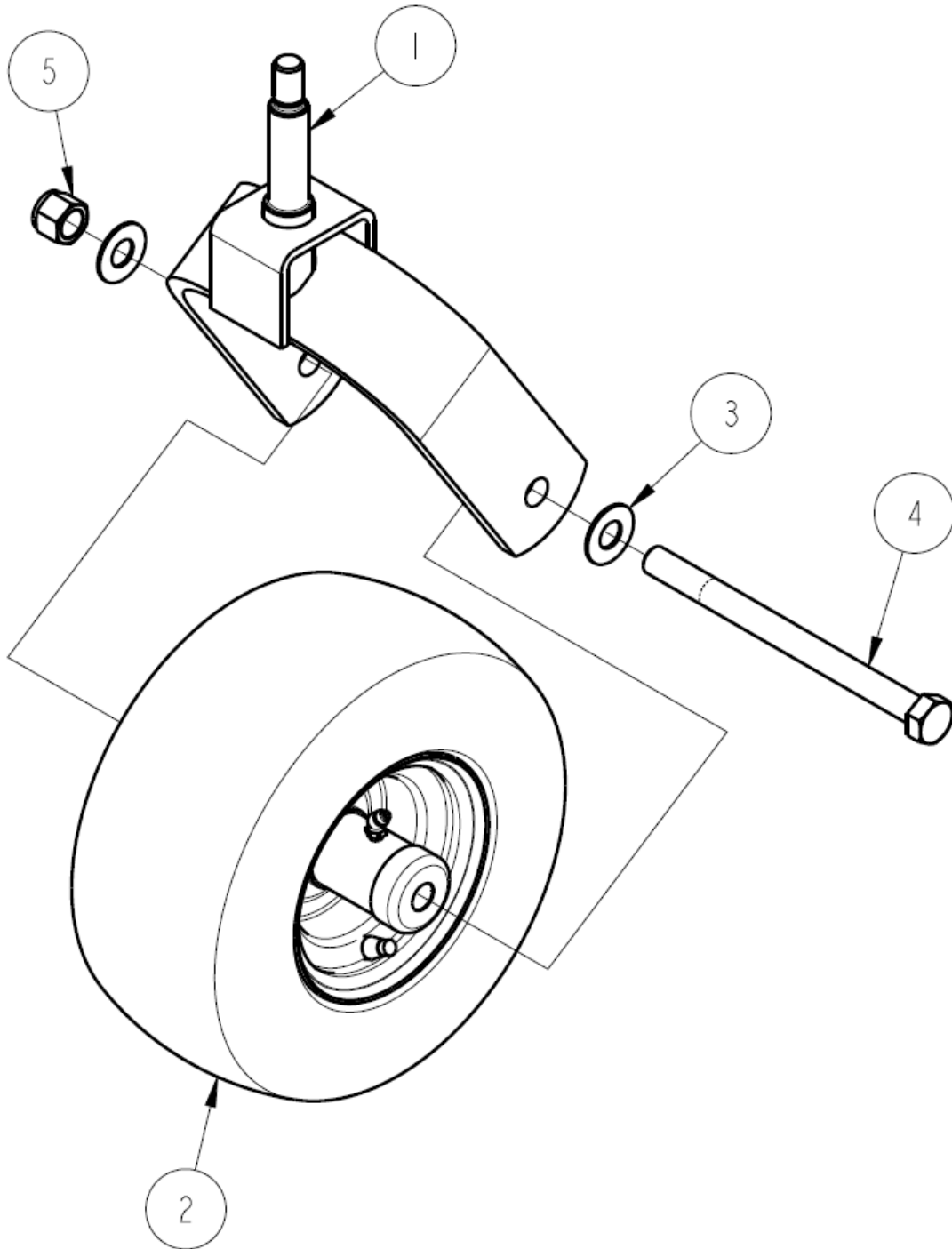
This page intentionally left blank



Item	Part No.	Qty	Name
1	607104	2	TIR/WHL 24X12.00-12 BLK
2	061077	10	WHEEL NUT
3	608751	2	DUST CAP, BLACK
4	061101	2	NT .750-10 HX ZN NL GR B
5	606715	6	CW 0.766 X 1.50 X .093
6	606712	4	BEARING, TAPERED ROLLER
7	606713	4	RACE, TAPERED ROLLER
8	606817	2	GREASE PLUG
9	606714	2	SEAL, 1.25 X 1.98
10		12	REFER TO "FRONT WHEEL ASSEMBLY"

Comments for Page: Wheels & Tires

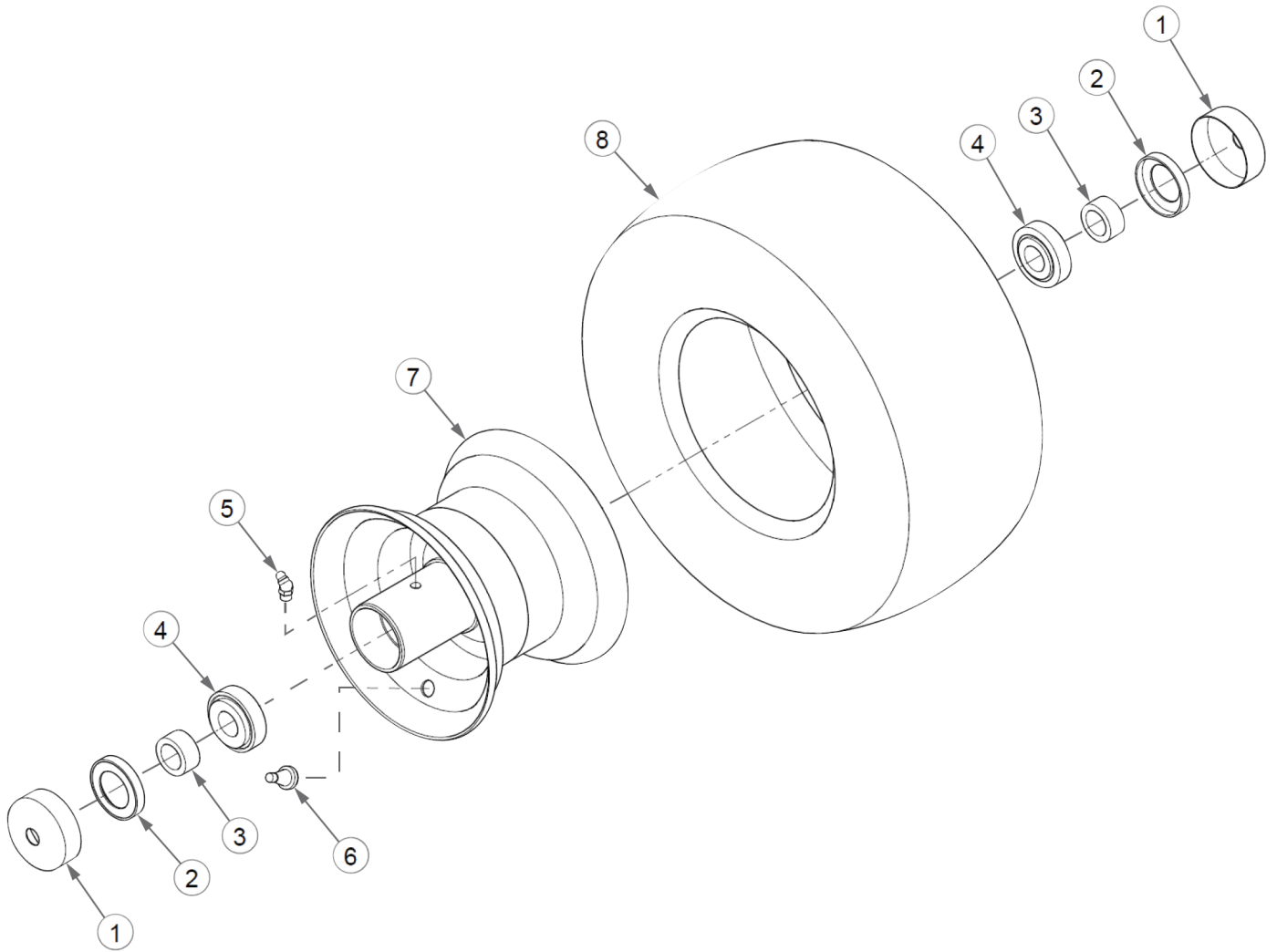
1. Torque to 65–75 ft-lbs.



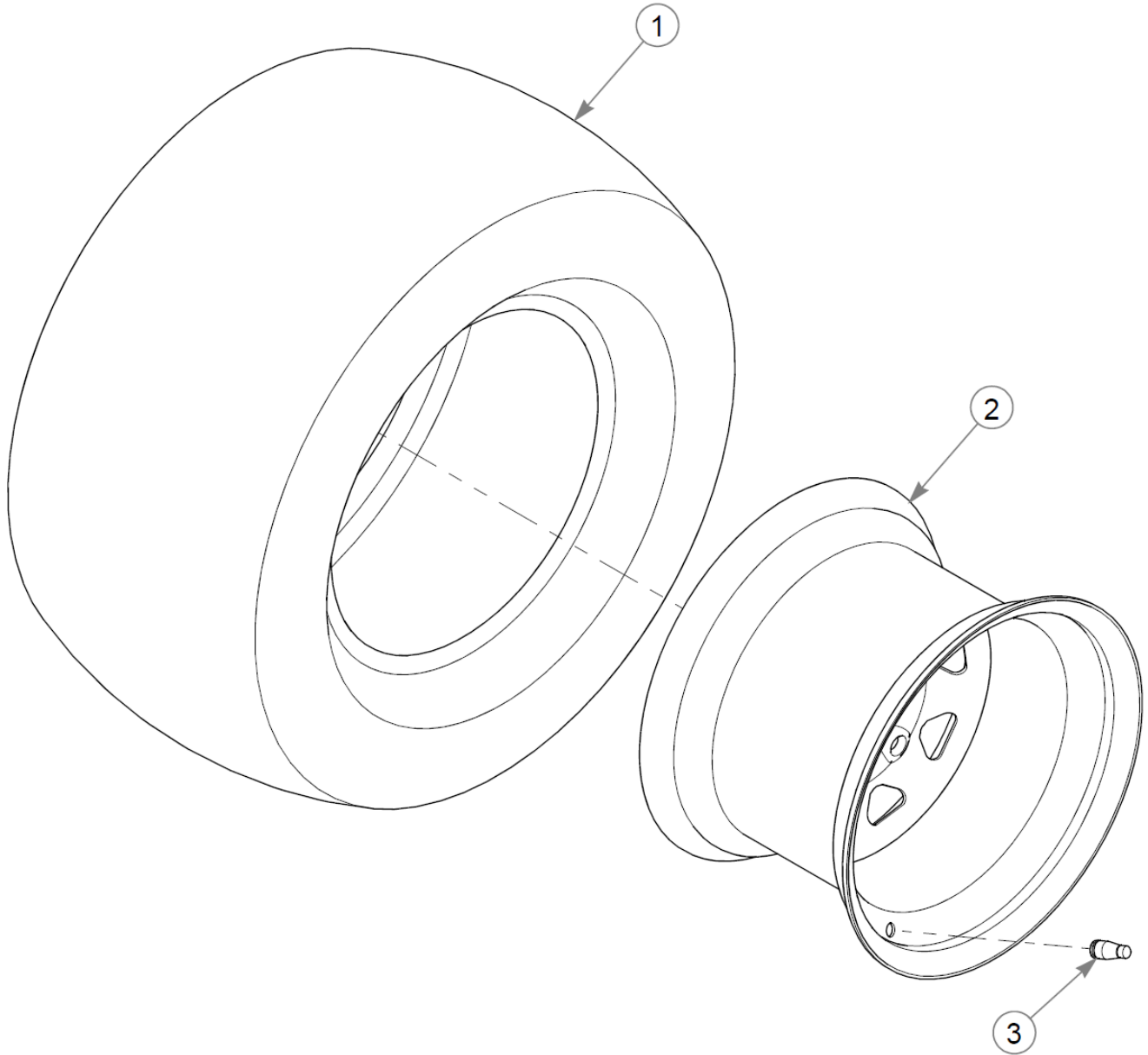
Front Wheel & Fork

72" X-ONE Parts Manual - 941971 -
HTXHGX072KAWFX850VEFIA

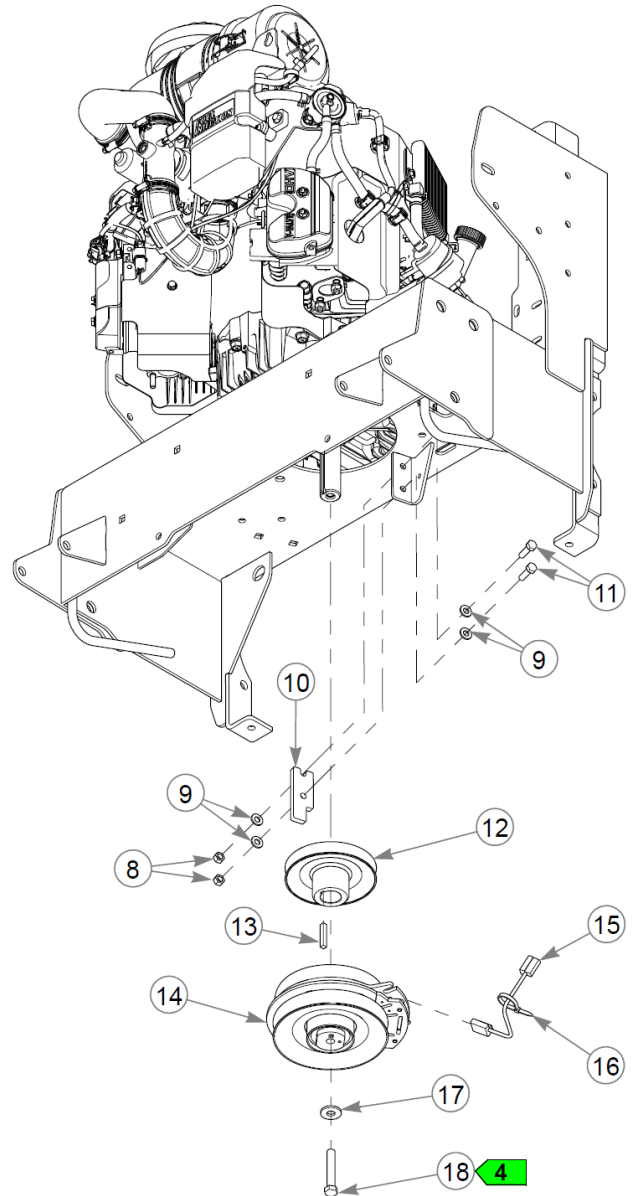
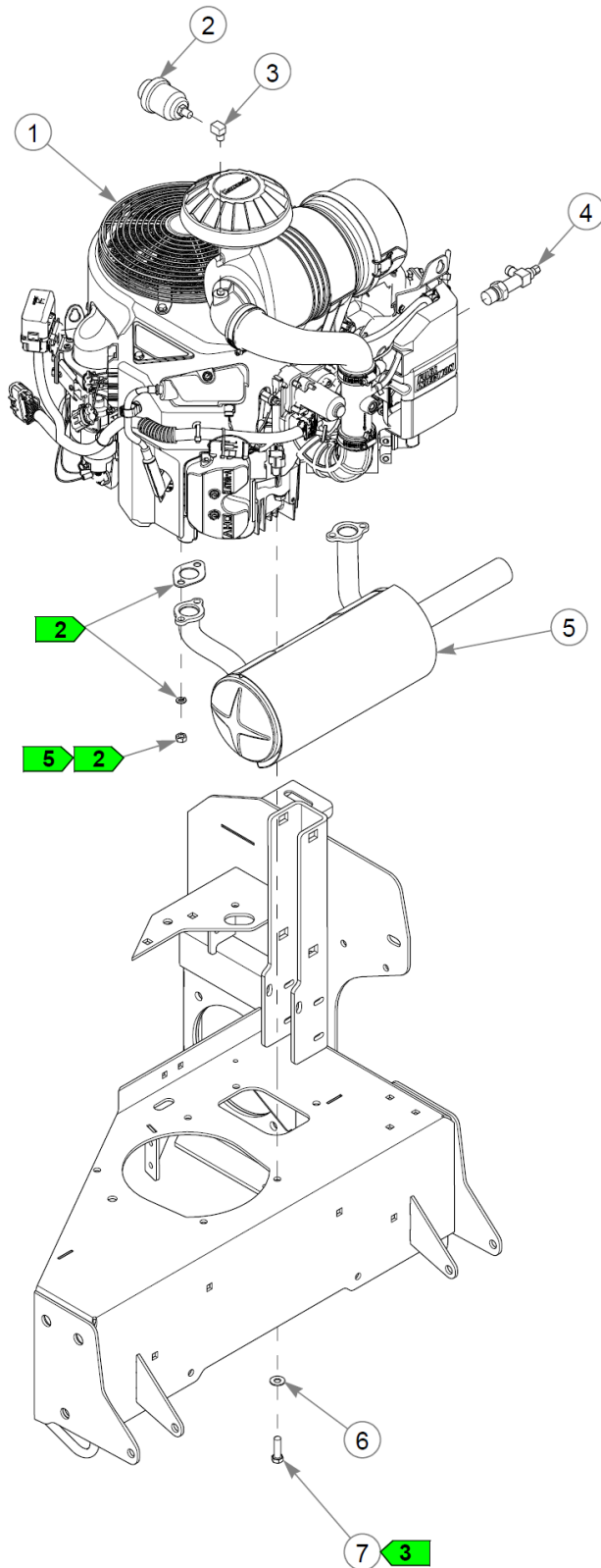
Item	Part No.	Qty	Name
1	123644-6	1	S/C TO 130055
	130055	1	KIT - FORK ASM
2	606745	1	TIR/WHL 13X6.50-6 BLK
3	025296	2	FW .760X1.63X0.08 ZN
4	041475	1	CS .750-10X9.50 HX G5 ZN
5	061101	1	NT .750-10 HX ZN NL GR B



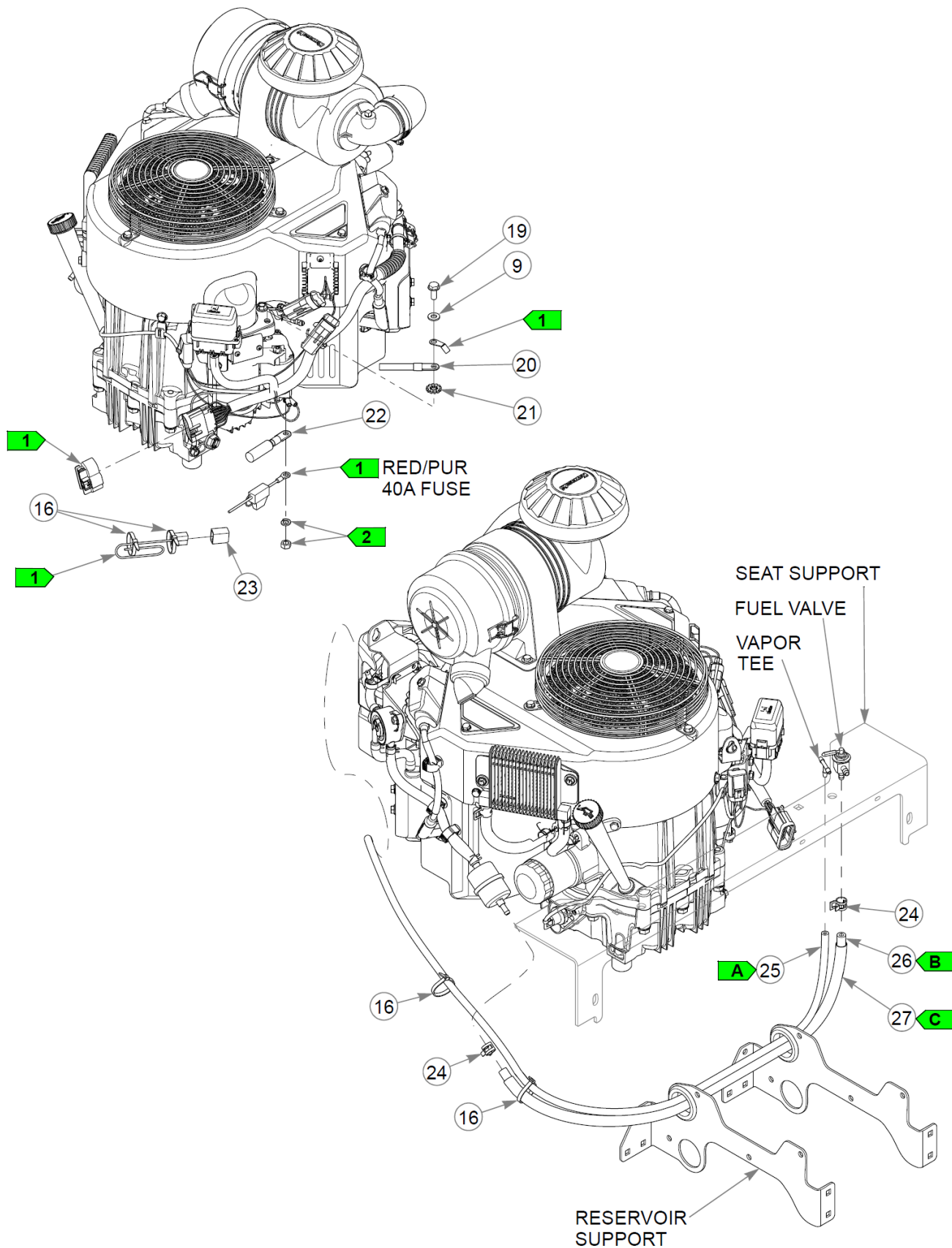
Item	Part No.	Qty	Name
	606745		TIR/WHL 13X6.50-6 BLK
1	606815	2	DUST CAP, 0.752 ID
2	606780	2	SEAL
3	606778	2	SPACER, 0.531
4	606753	2	BEARING, TAPERED ROLLER
5	606126	1	GREASE FITTING, M8X1.0
6	019521	1	TIRE VALVE TR-412 GOODY
7	606752	1	WHL 6X4.50 BLK
8	604843	1	TIR 13X6.50-6 B4R SMTH



Item	Part No.	Qty	Name
1	606967	1	TIR 24X12.00-12 B4R GRMR
2	606498	1	WHL 12X8.50 5X4.5 BLK
3	019521	1	TIRE VALVE TR-412 GOODY



This page intentionally left blank



Item	Part No.	Qty	Name
1		1	ENGINE, KAW FX850V EFI
2	788943	1	AIR FILTER INDICATOR
3	601216	1	FTG, ELBOW, STREET
4	796524	1	VALVE,OIL DRAIN M20x2.5
5	608845	1	MUFFLER, KAW 852CC
6	767954	4	FW 0.379X.82X.06 HD ZN
7	602580	4	CS .375-16X1.25HXG8FTZN
8	034272	2	NT .312-18HXG5
9	768523	5	FW 0.343SAE
10	113946	1	CLUTCH ANCHOR
11	036236	2	CS .312-18X1.000HXG5
12	608916	1	PULLEY, ENGINE
13	212076	1	KEY 1/4 SQ X 1.50 LG(FS)
14	606404K	1	CLUTCH KIT
15	791251	1	HARNES, CLUTCH PIGTAIL
<p>Comments for Part Num. 791251</p> <p>Pigtail was updated with epoxy to hold the wires steady. The wire sheath was also updated to a more flexible material.</p>			
16	000331	5	WIRE TIE, SMALL/SHORT
17	602680	1	FW .453X1.12X.12 HRD ZN
18	785659	1	CS .437-20X2.50 HXG5ZN
19	720177	1	CS M8-1.25X20FLG10.9
20	796219	1	BATTERY CABLE,NEG 36" D
21	029876	1	LW .312 INTEXT ZN
22	744276	1	BATTERY CABLE POS RED
23	789131	1	CAP, HUSTLRZ FAN CON(FS)
24	000323	2	CLIP, HOSE CLAMP
25	603326P	1	VAPOR LINE, 3/16" - 7 FT
26	015818P	1	FUEL LINE, 1/4" - 6 FT
27	605215P	1	THERMAL SHIELD - 6 FT

Comments for Page: Engine, Clutch & Muffler (Multi-Page)

1. Part of the wire harness.
2. Supplied with the engine.
3. Torque to 44 ft-lbs. . Replace (do not reuse) the cap screw if it is removed or loosened. Use only hand tools to install this fastener.
4. Torque to 45–48 ft-lbs. Replace (do not reuse) the cap screw if it is removed or loosened.

5. Torque to 17 ft-lbs.

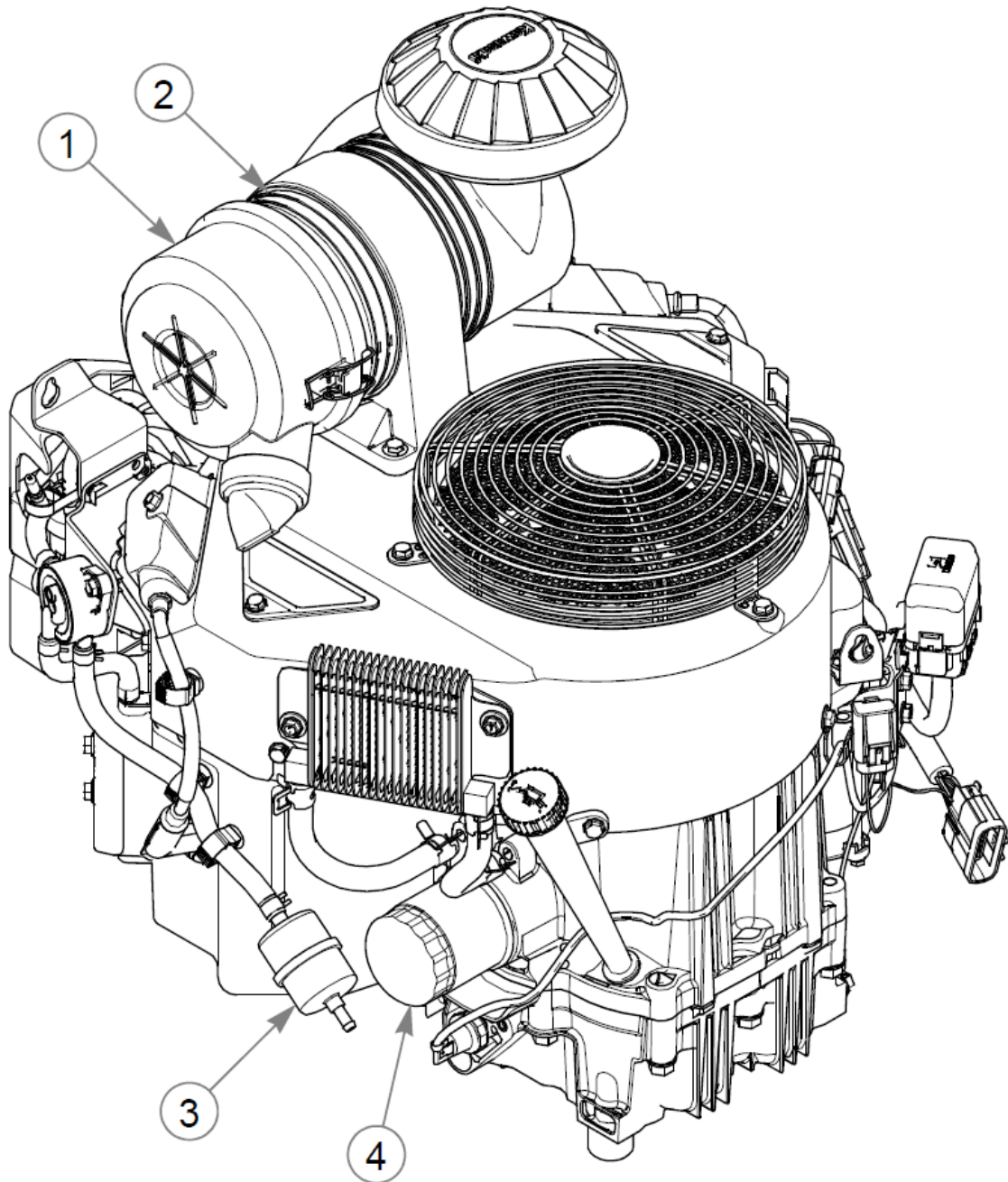
FUEL & VAPOR LINE LENGTHS

A. 44" TEE TO ENGINE (VAPOR)

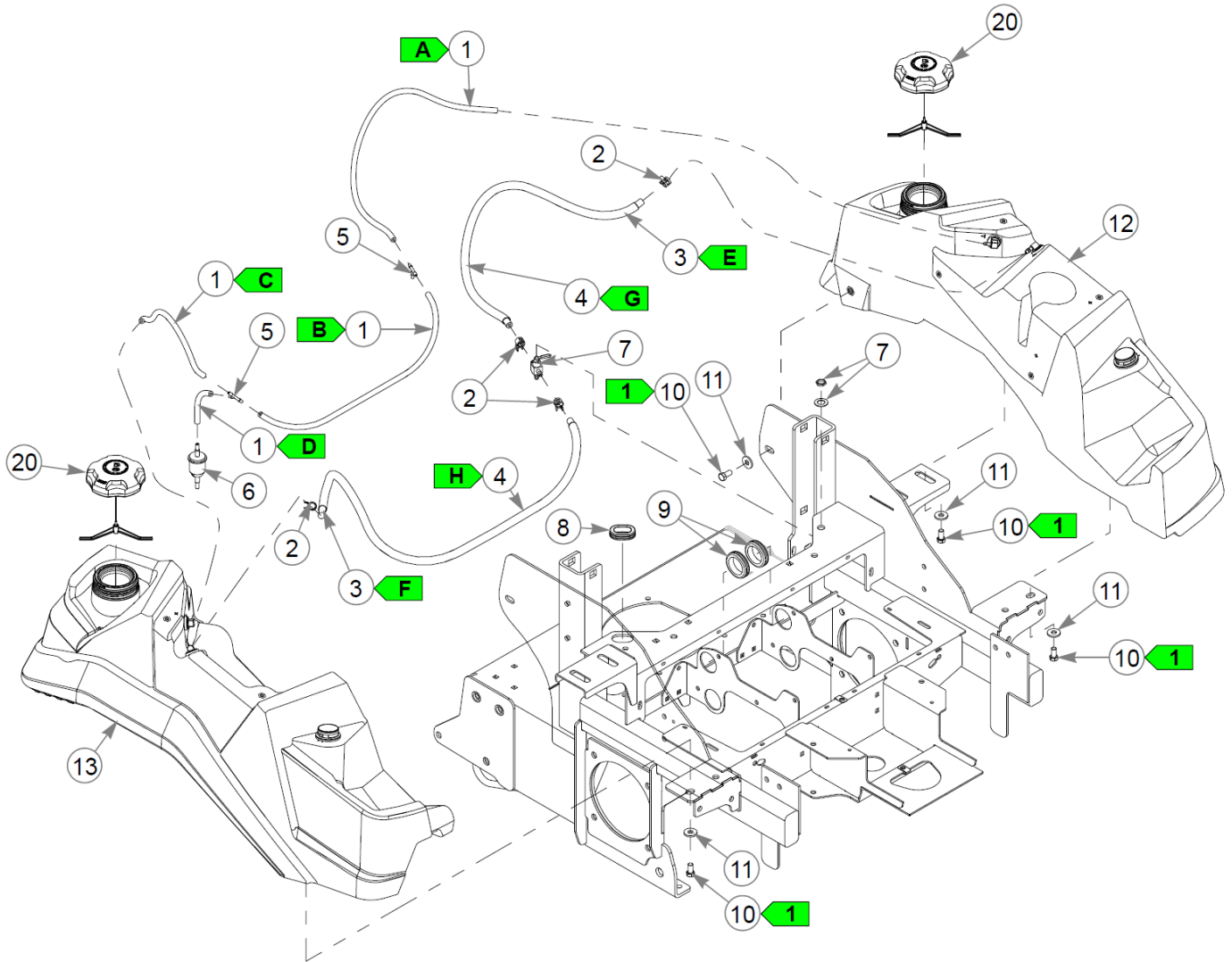
B. 28" VALVE TO ENGINE (FUEL)

C. 27" FUEL LINE THERMAL SHIELD

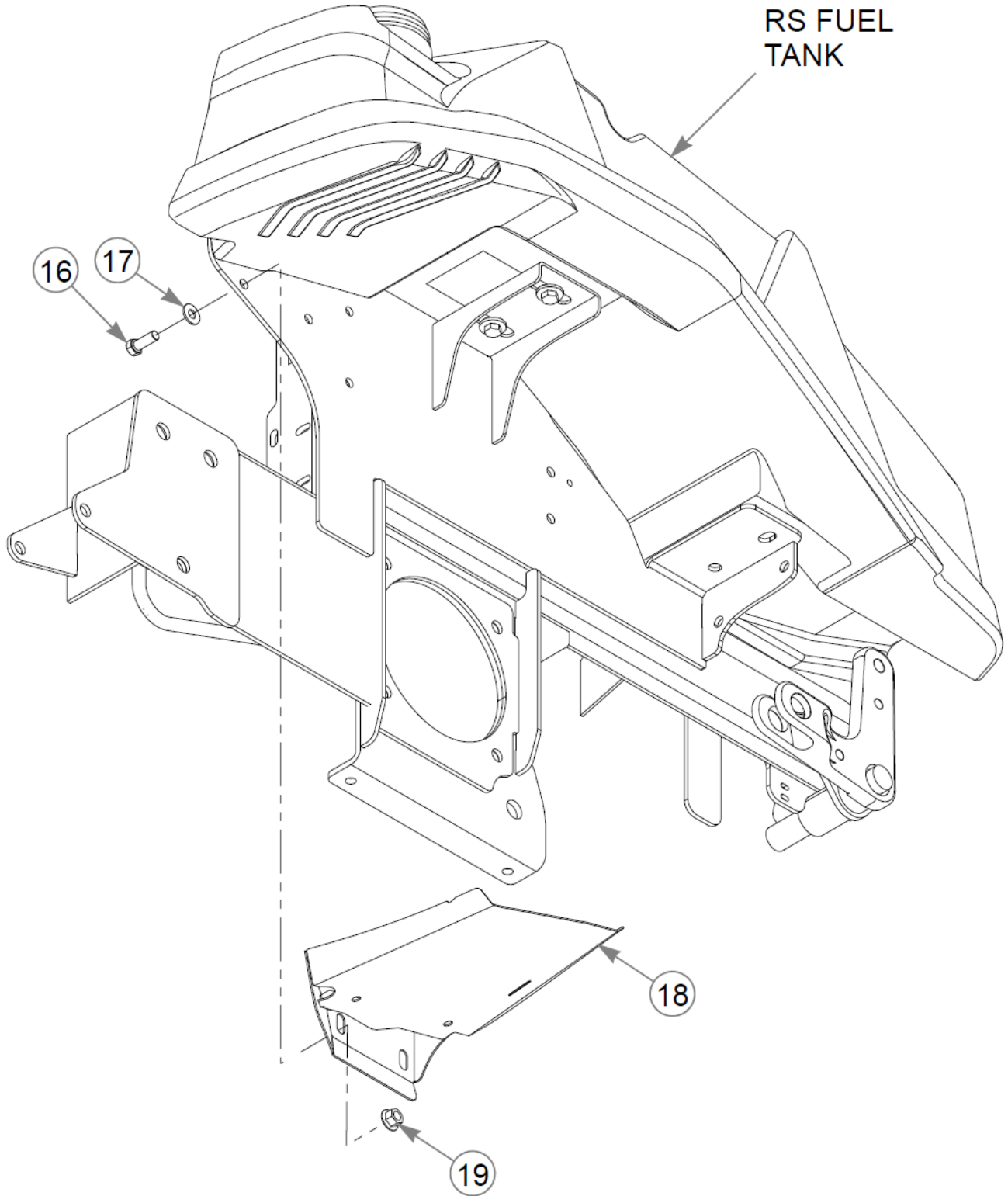
This page intentionally left blank



Item	Part No.	Qty	Name
1	785261	1	AIR FILTER - MAIN
2	785279	1	AIR FILTER - SAFETY
3	604558	1	FILTER, KAWASAKI FUEL
4	603138	1	ENGINE OIL FILTER



This page intentionally left blank



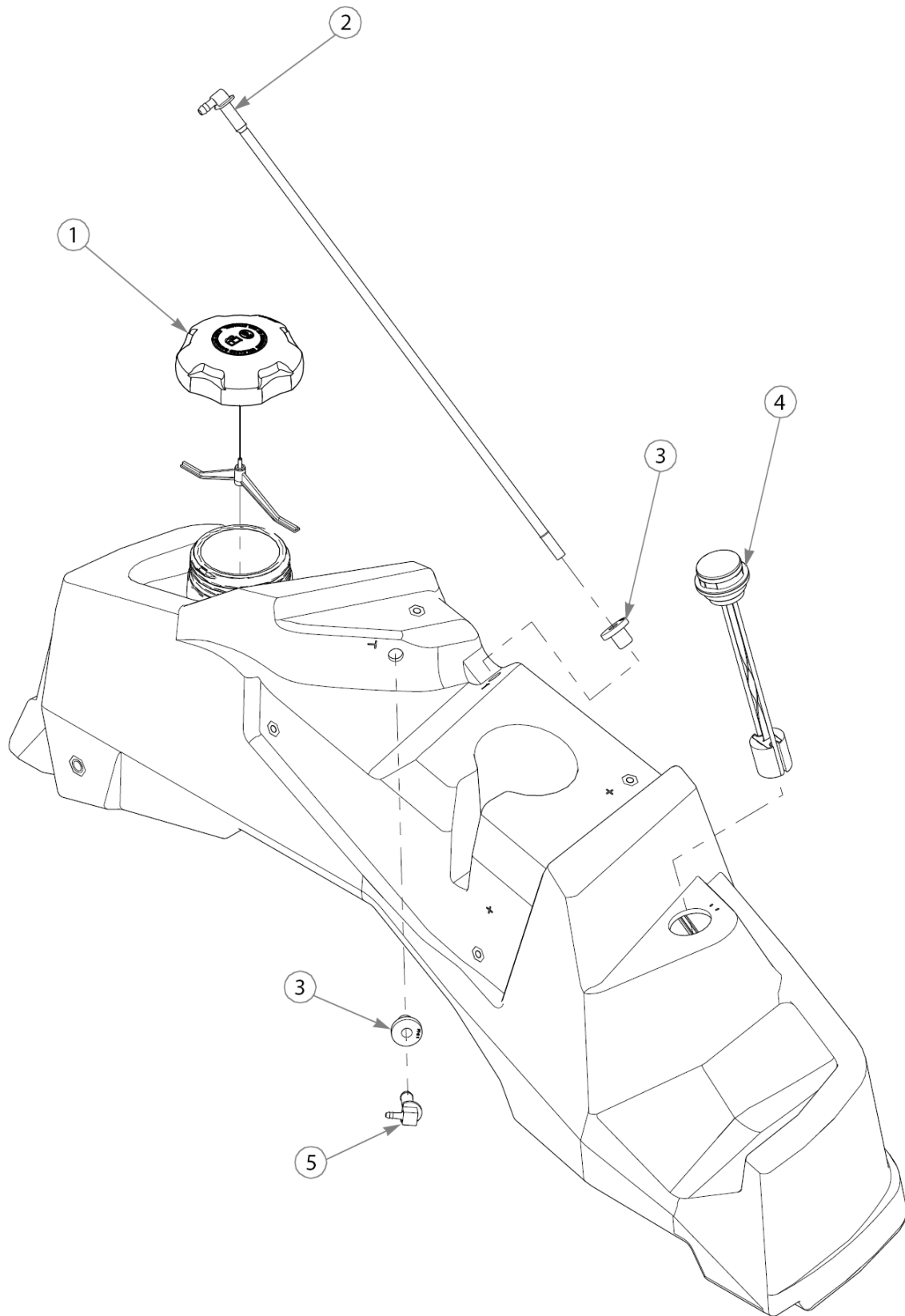
Item	Part No.	Qty	Name
1	603326P	64"	VAPOR LINE, 3/16" - 7 FT
2	000323	4	CLIP, HOSE CLAMP
3	015818P	69"	FUEL LINE, 1/4" - 6 FT
4	605215P	50"	THERMAL SHIELD - 6 FT
5	604281	2	TEE, 3/16" PLASTIC
6	604323	1	VAPOR SYSTEM FILTER
7	745059	1	FUEL VALVE 3-WAY
8	706531	1	GM 1.12X1.75X1.37X.12
9	794644	2	GM 1.50 X 2.12 X 1.75
10	055822	10	CS .375-16X0.75 HX G5 ZN
11	712919	10	FW 0.406X1.00X.12 HD ZN
12	608681	1	FUEL TANK ASSY, LEFT
13	608682	1	FUEL TANK ASSY, RIGHT
14	000331	2	WIRE TIE, SMALL/SHORT
15	033001P	17"	FLEX TRIM UNI-GRIP - 3 FT
16	036244	2	CS .375-16X1.00 HX G5 ZN
17	767954	2	FW 0.379X.82X.06 HD ZN
18	128980-6	1	FENDER WA
19	604515	2	NT .375-16 FL NY GF
20	608995	2	CAP - RATCHET 350

Comments for Page: Fuel System

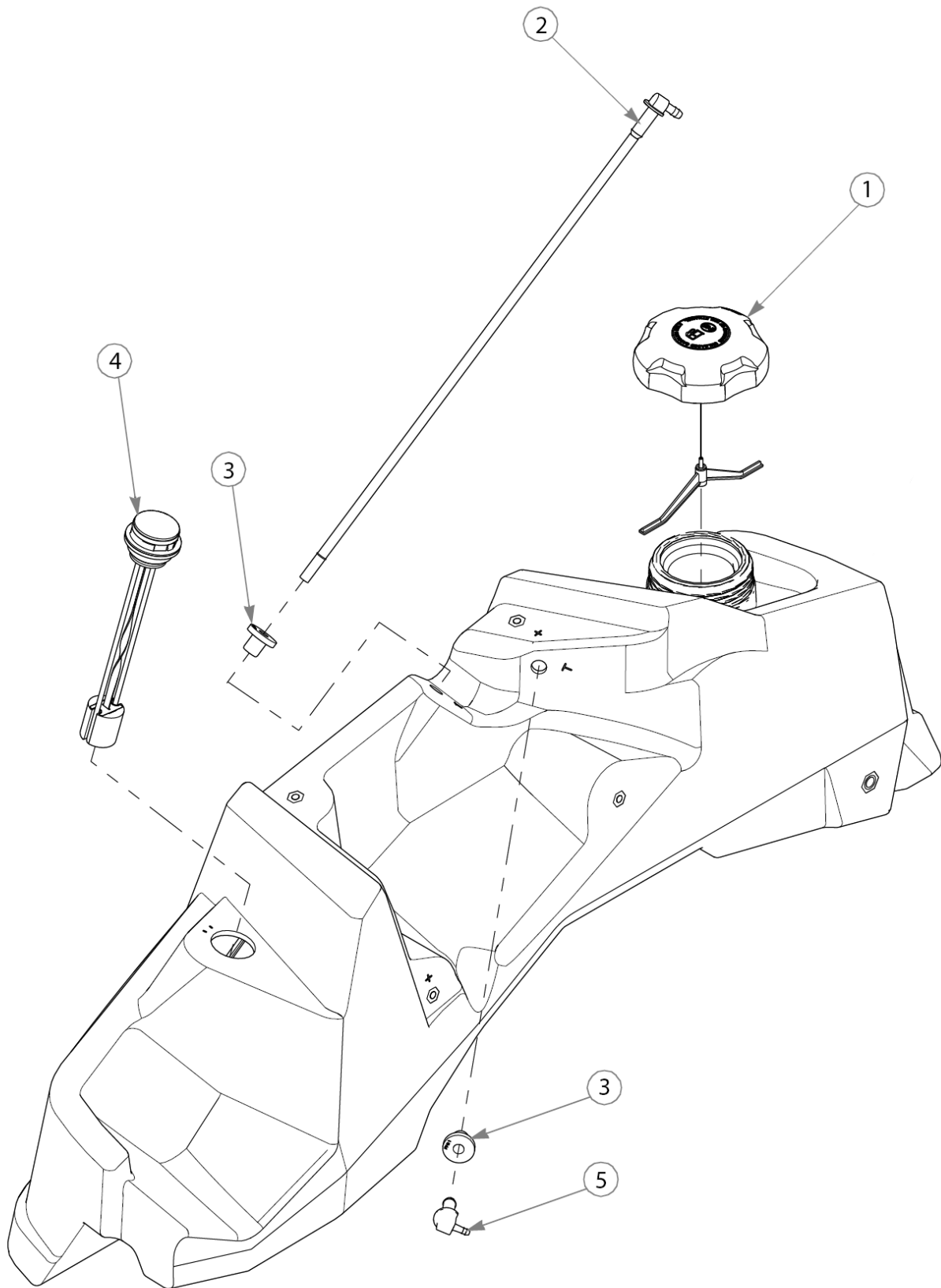
1. Torque to 16 ft-lbs.

FUEL, VAPOR, AND TRIM LENGTHS

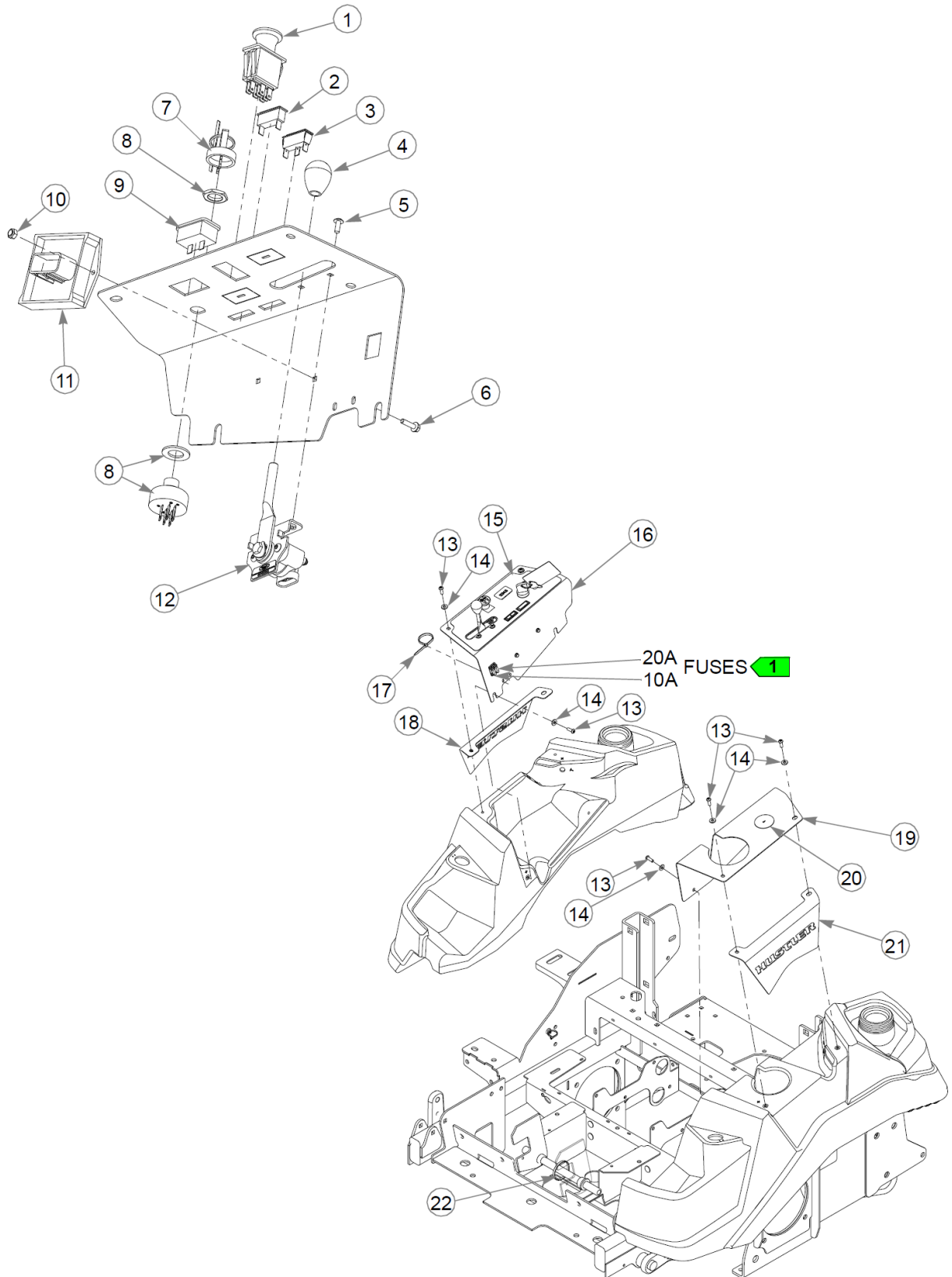
- A. 23" LEFT TANK TO TEE (VAPOR)
- B. 21" TEE TO TEE (VAPOR)
- C. 16" RIGHT TANK TO TEE (VAPOR)
- D. 4" TEE TO FILTER (VAPOR)
- E. 27" LEFT TANK TO VALVE (FUEL)
- F. 42" RIGHT TANK TO VALVE (FUEL)
- G. 17" FUEL LINE THERMAL SHIELD
- H. 33" FUEL LINE THERMAL SHIELD
- J. 4" FLEXIBLE TRIM
- K. 6.5" FLEXIBLE TRIM
- L. 6.5" FLEXIBLE TRIM



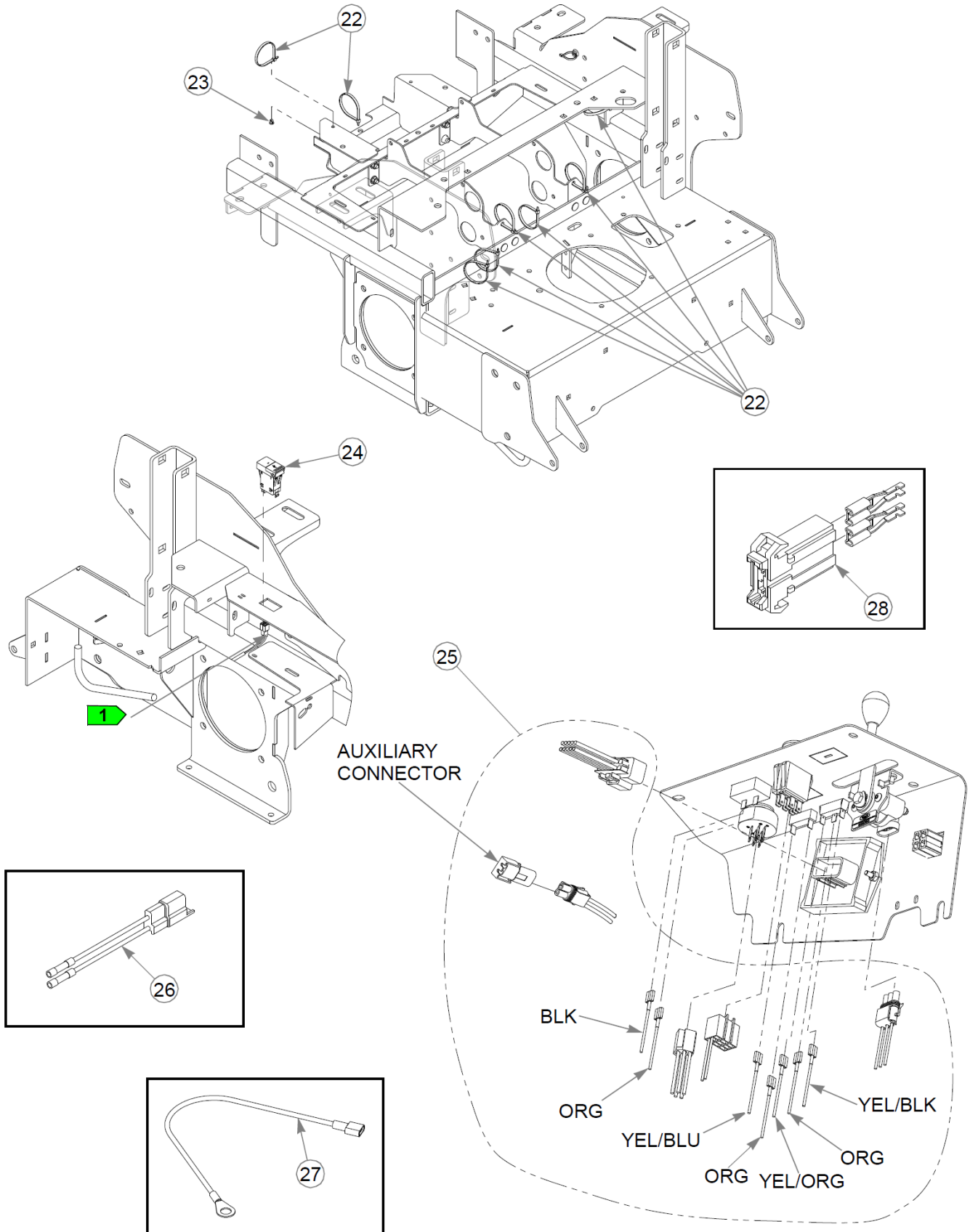
Item	Part No.	Qty	Name
	608681		FUEL TANK ASSY, LEFT
1	608995	1	CAP - RATCHET 350
2	607149K	1	SUCTION HOSE SVC KIT
3	604200K	2	GROMMET SVC KIT
4	608497K	1	SVC KIT, FUEL GAUGE
5	604287K	1	VENT FITTING SVC KIT



Item	Part No.	Qty	Name
	608682		FUEL TANK ASSY, RIGHT
1	608995	1	CAP - RATCHET 350
2	607149K	1	SUCTION HOSE SVC KIT
3	604200K	2	GROMMET SVC KIT
4	608497K	1	SVC KIT, FUEL GAUGE
5	604287K	1	VENT FITTING SVC KIT



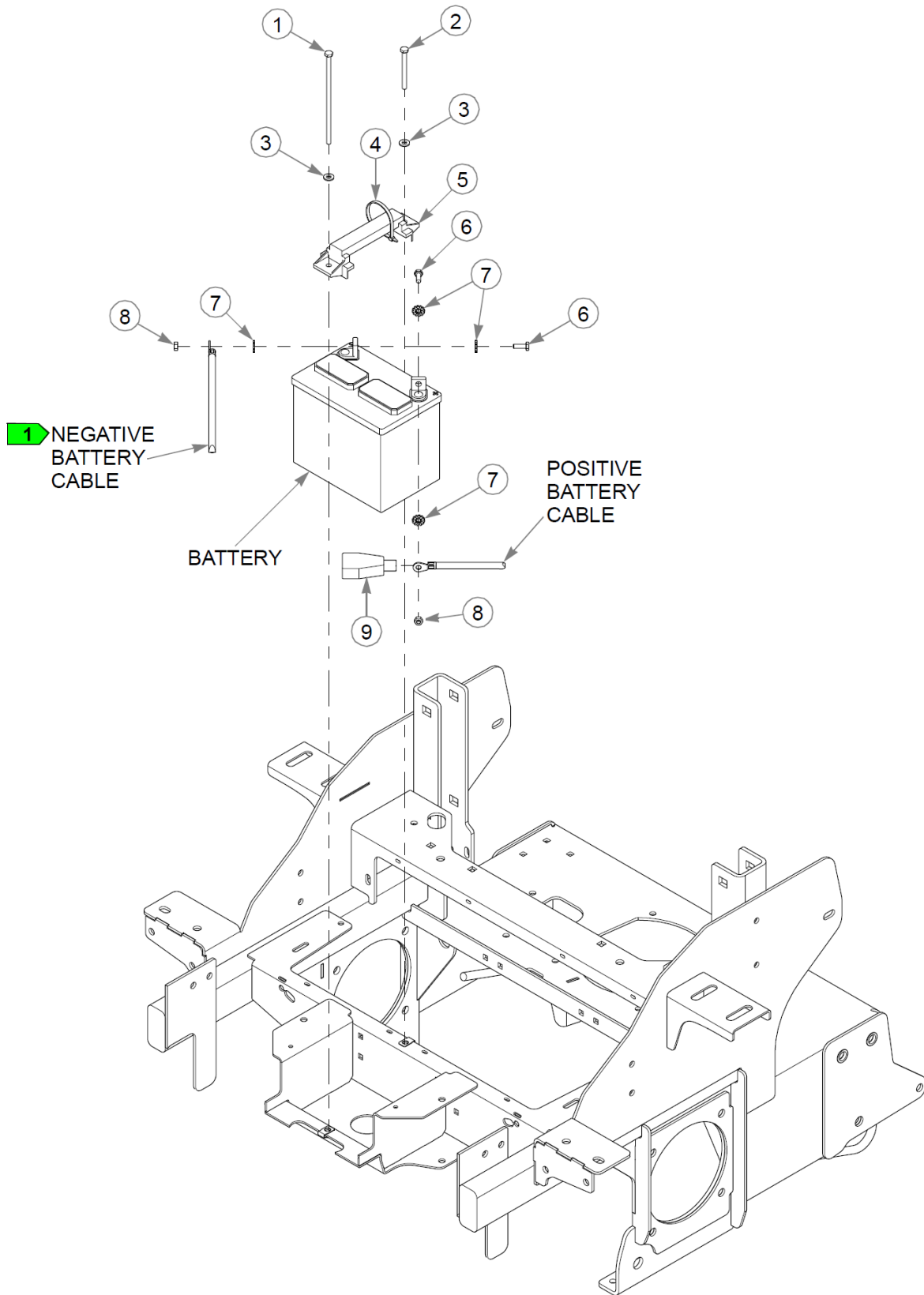
This page intentionally left blank



Item	Part No.	Qty	Name
1	776476	1	SWITCH, PTO 6201-321
2	712257	1	INDICATOR LIGHT, RED(FS)
3	608393	1	LIGHT, RED/AMBER
4	603523	1	KNOB
5	606851	2	CS 10-24X .500 PH SH ZN
6	063198	2	CS #10-24X0.750FLKG5
7	785808	1	KEY ASSEMBLY
8	045898	1	IGNITION SWITCH
9	769166	1	HOUR METER
10	059832	2	NT #10-24 HX NL ZN
11	604373	1	RELAY CONTROL MODULE
12	606592	1	THROTTLE CONTROL, EFI
13	608598	8	CS .250-20 X .625 BH TX
14	605628	8	FW 0.281X.63X.07 ZB
15	608602	1	DECAL, INSTR PANEL
16	556437	1	SVC INSTR PANEL, CARB
17	000430	1	WIRE TIE, SMALL/LONG
18	128427-1	1	PANEL, LOGO - RH
19	128425-1	1	COVER, CUP HOLDER
20	608127	1	DECAL, USA, F&D
21	128426-1	1	PANEL, LOGO - LH
22	000331	8	WIRE TIE, SMALL/SHORT
23	604307	1	MOUNT, PUSH BUTTON
24	609264	1	USB PORT SINGLE CHARGE
25	608609	1	WIRE HARNESS, SZ
26	114052	1	KIT, CLUTCH CONN. REP.
27	604430	1	WIRE HARNESS
28	601047	1	HOLDER, FUSE

Comments for Page: Instrument Panel (Multi-Page)

1. Part of the wire harness.

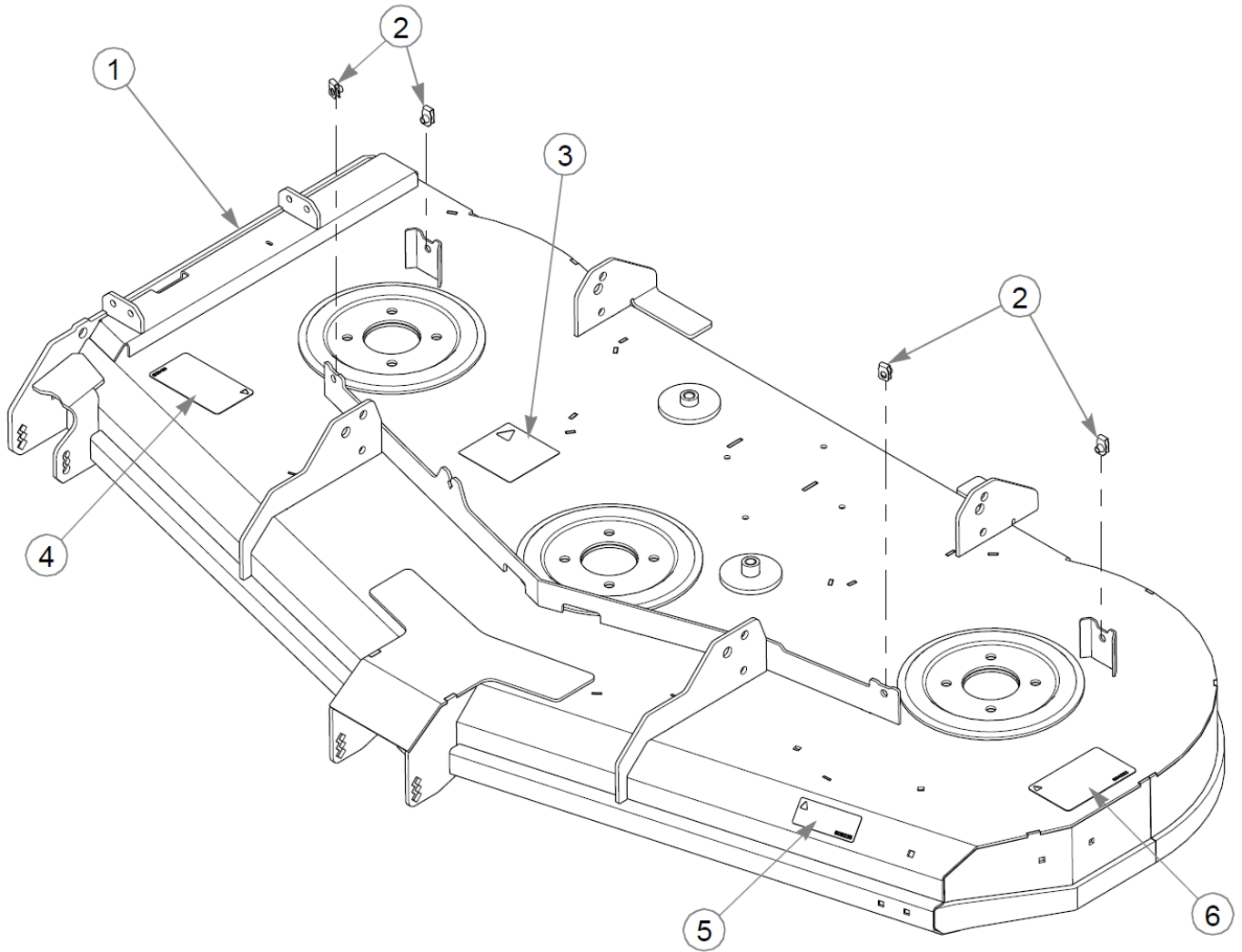


Battery

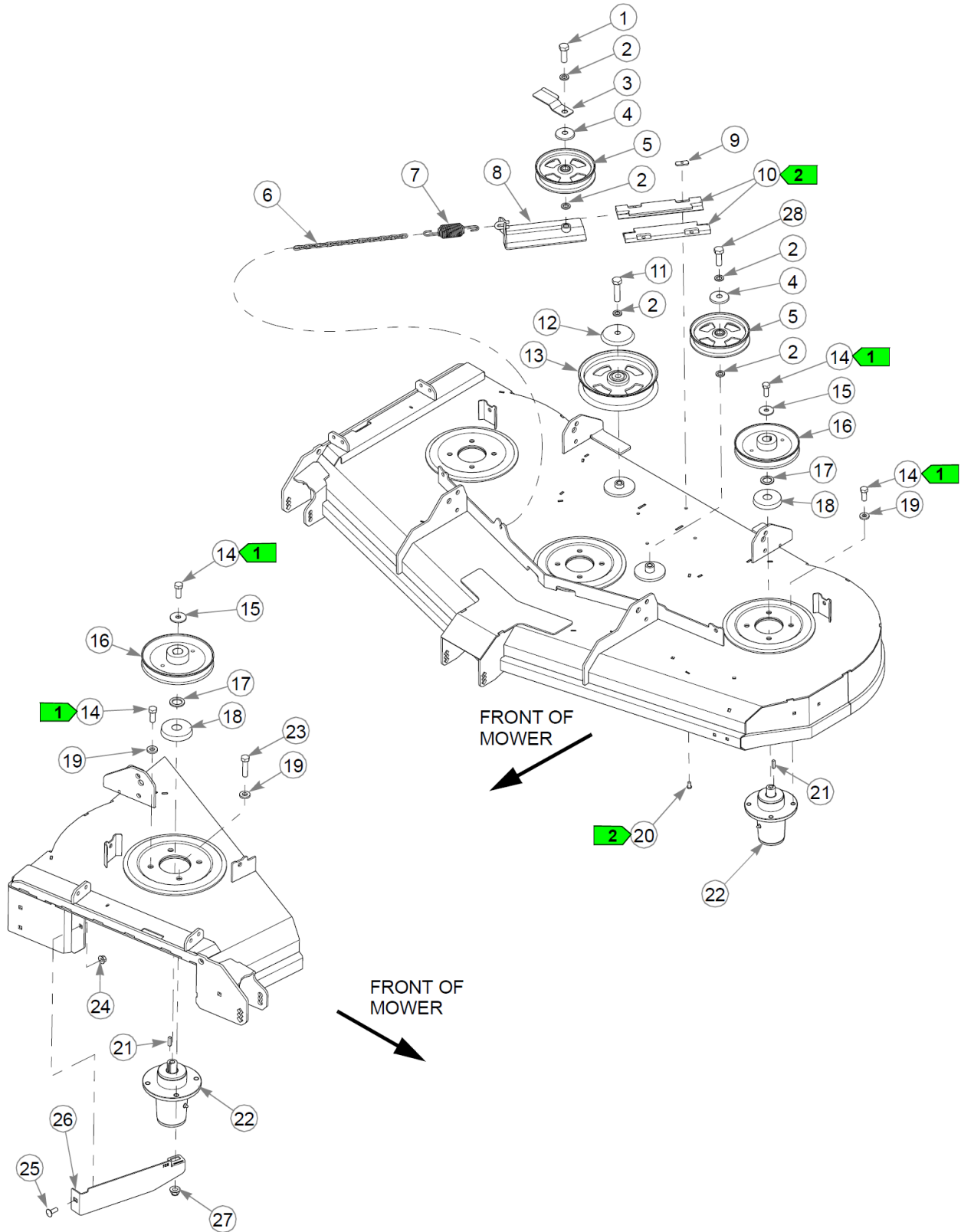
Item	Part No.	Qty	Name
1	601930	1	CS .250-20 X 6.50 HX G5
2	794156	1	CS .250-20X2.750HXG5
3	768515	2	FW 0.281SAE
4	000331	1	WIRE TIE, SMALL/SHORT
5	604178	1	STRAP, TIE DOWN
6	055939	2	CS .250-20X0.75 HX G5 ZN
7	029868	4	LW .250 INTEXT ZN
8	024927	2	NT .250-20HXG5
9	771428	1	BATTERY CBL BOOT-RED(FS)

Comments for Page: Battery

1. When performing service on the mower, disconnect the negative battery cable (black) and do not reconnect it to the battery until ready to start the engine.



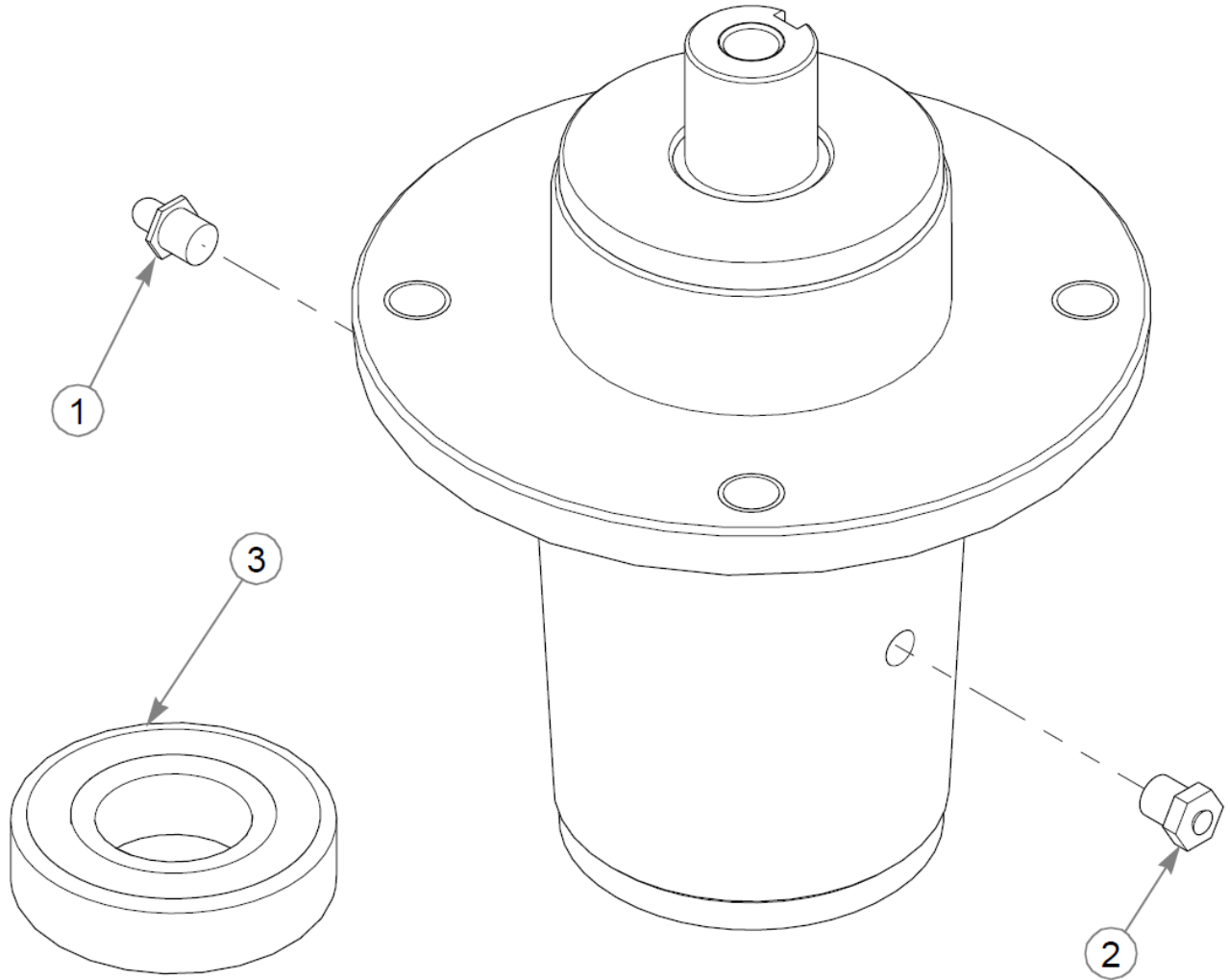
Item	Part No.	Qty	Name
1	556613	1	SVC, DECK DECAL 72" VX
2	601069	4	CN .312-18x.200 MAX THK
3	781419	1	DECAL, BELT ROUTING
4	604221	1	DECAL, DANGER / CHUTE
5	608235	1	DECAL, VX
6	604222	1	DECAL, DANGER / OBJECTS



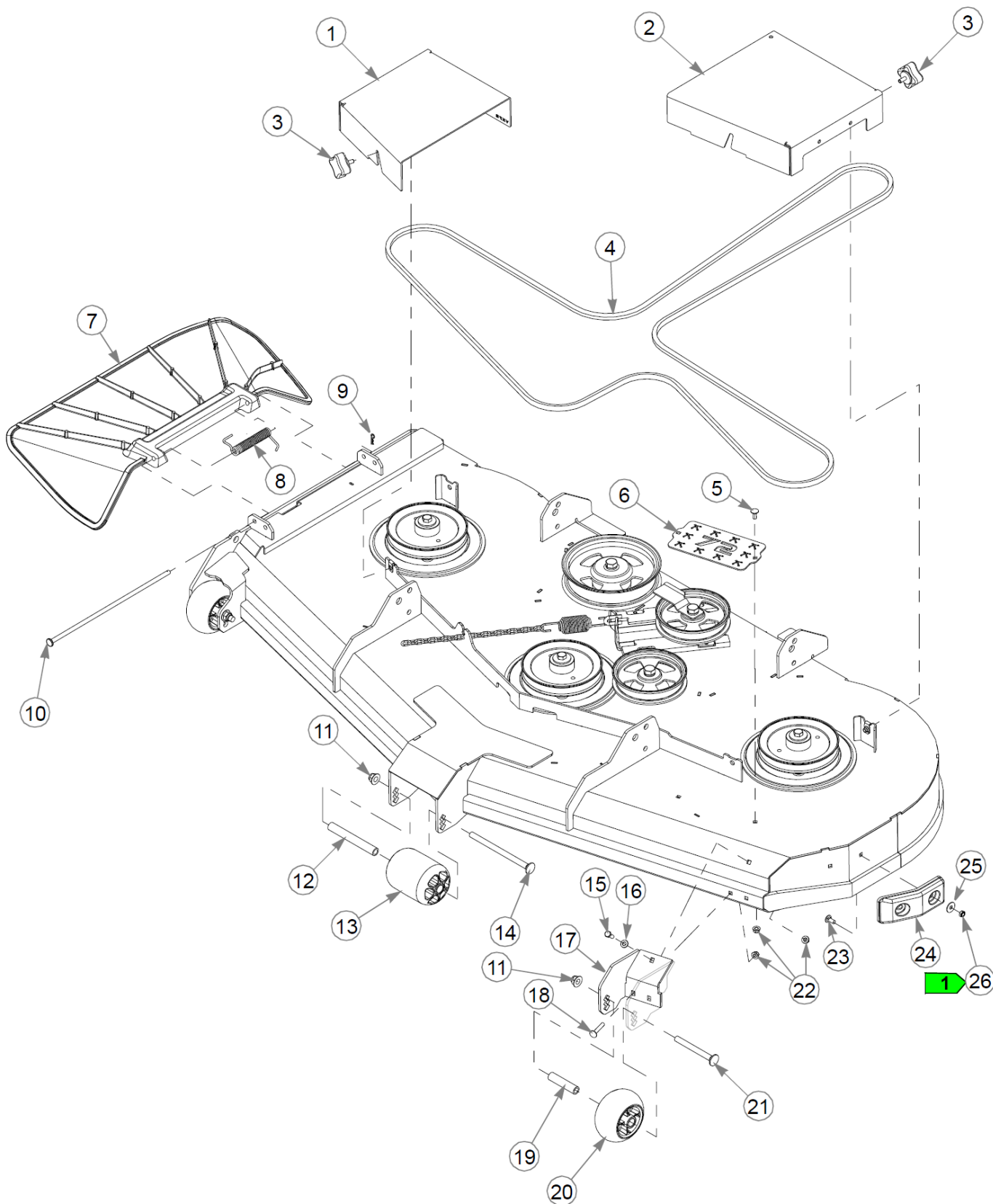
Item	Part No.	Qty	Name
1	025007	1	CS .62511X1.750HXG5
2	028118	5	FW 0.625X1.00X.13 ZN
3	606460	1	GUIDE, BELT
4	608144	2	SHIELD, DUST
5	602821	2	IDLER, 6.0" COMMERCIAL
6	373191	1	CHAIN, 21 LINK
7	781302	1	IDLER SPRING
8	350884	1	SLIDE, DECK IDLER
9	603023	4	WN .312-18 ZN
10	602936	2	IDLER SLIDE, UHMW
11	025015	1	CS .625-11X2.500HXG5
12	602963	1	DUST SHIELD, IDLER LG
13	602838	1	IDLER, 8.0" COMMERCIAL
14	705954	14	CS .500-13X1.25 HX G5 ZN
15	752386	3	CW .505 X 1.625 X .140
16	602745	3	PULLEY, DRIVE 7.00 EFF
17	045765	3	FW 1.030X1.50X.13 HD ZN
18	607409-4	3	DUST SHIELD
19	767962	12	FW .531 x 1.063 x .175
20	603022	4	CS .312-18X.625 BH ZN
21	212472	3	KEY 1/4 SQ X 1.00 LG(FS)
22	607407	3	SPINDLE ASSY, DUCTILE
23	078949	1	CS .500-13X2.000 FUL HX
24	604515	1	NT .375-16 FL NY GF
25	025395	1	CB .375-16X 1.00 G5 ZN
26	126184-1	1	DIVERTOR, DISCHARGE 72"
27	608880	1	NT .50-13 FL NY
28	016642	1	CS .625-11X2.000HXG5

Comments for Page: Deck Pulleys & Spindles

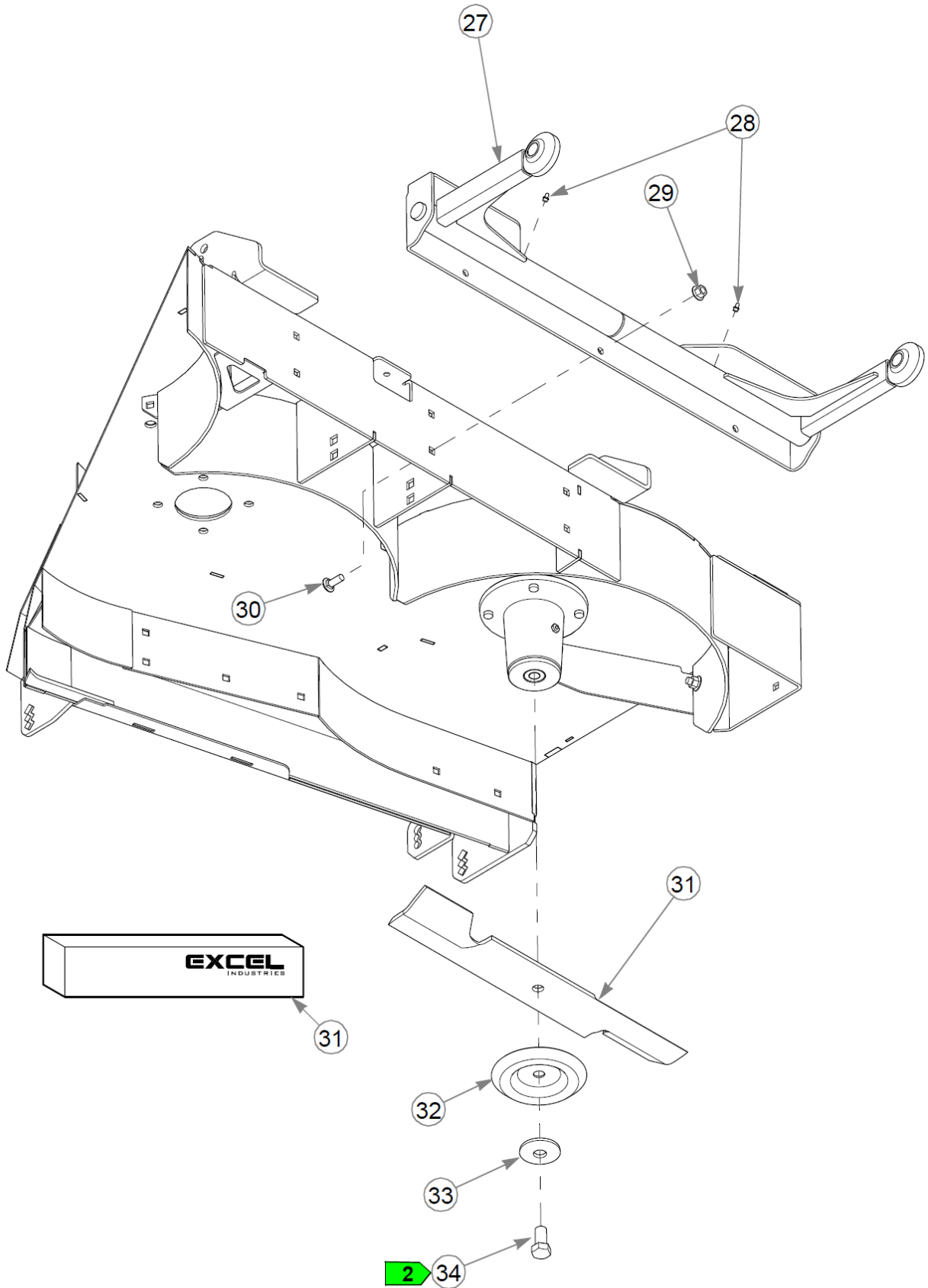
1. Torque to 63-73 ft-lbs.
2. Torque to 3-6 ft-lbs.



Item	Part No.	Qty	Name
	607407	1	SPINDLE ASSY, DUCTILE
1	607477	1	GREASE ZERK
2	607478	1	RELIEF FITTING
3	607955	2	BEARING



This page intentionally left blank



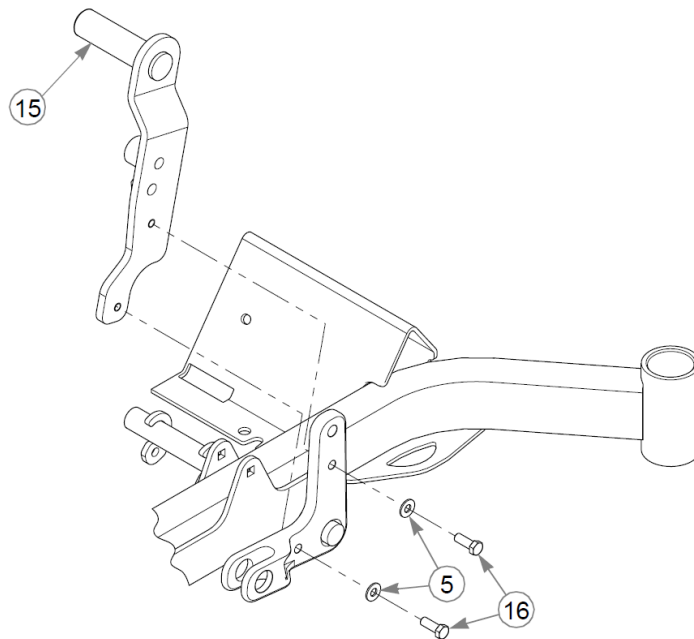
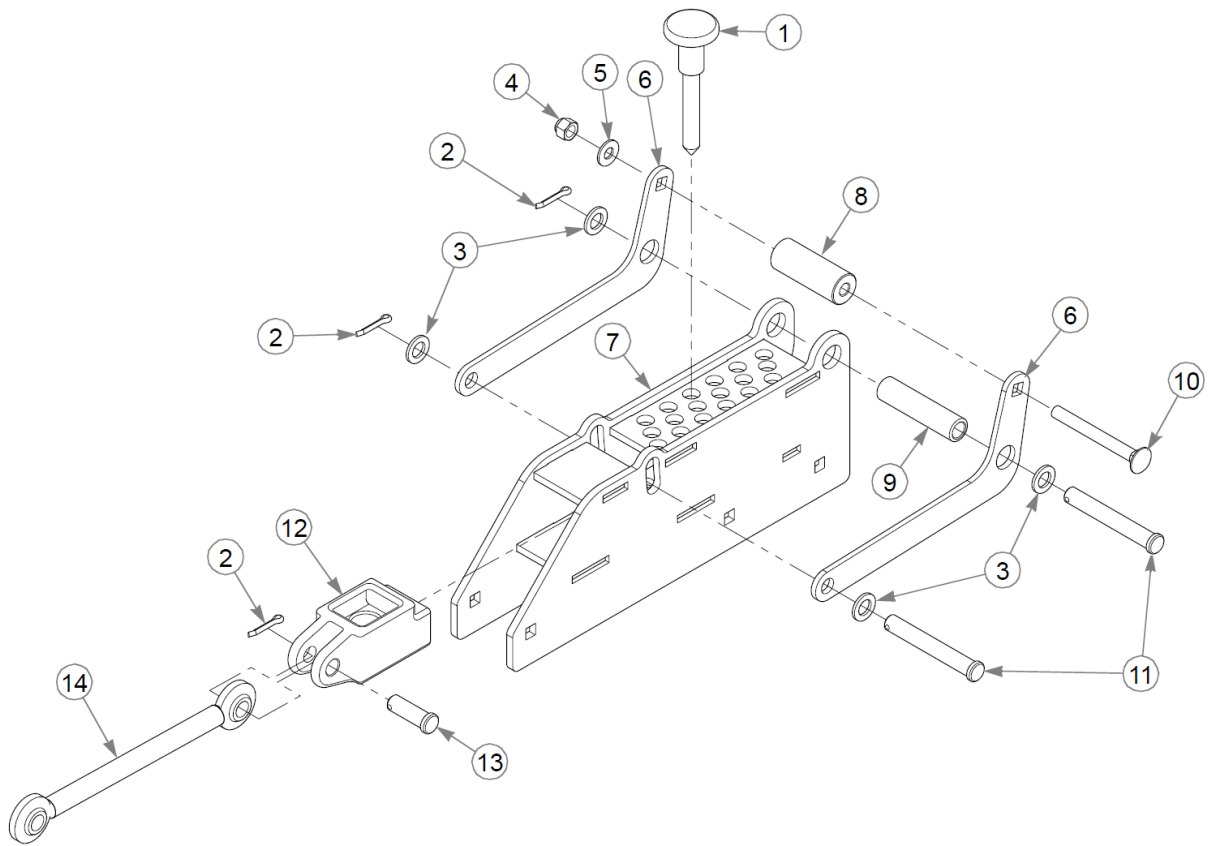
Item	Part No.	Qty	Name
1	128022-6	1	PULLEY COVER, RS 72" VX
2	128023-6	1	PULLEY COVER, LS 72" VX
3	792002	4	KNOB,5/16-18 X 3/4"MALE
4	602860	1	DECK BELT
5	608953	2	CB 0.312-18 X 0.750 G5
6	128508-6	1	STEP TREAD, 72"
7	602891	1	CHUTE, DISCHARGE LG
8	602435	1	SPRING, TORSION
9	706549	1	HP0.080X1.190
10	608776-4	1	PIVOT PIN, DISCHARGE
11	608880	3	NT .50-13 FL NY
12	602344	1	SPACER, ANTI- SCALP 5.73
13	602341	1	WHEEL, ANTI-SCALP
14	602338	1	CB .50-13 X 7.50 STD ZN
15	036236	1	CS .312-18X1.000HXG5
16	768523	1	FW 0.343SAE
17	126982-1	1	BOLT ON ANTI-SCALP WA LS
18	771212	2	CB .312-18X 1.750 G5
19	602345	2	SPACER, ANTI-SCALP 3.22
20	602263	2	WHEEL, ANTI-SCALP
21	607288	2	CB .50-13X4.75 STD ZN
22	608059	5	NT .312-18 FL NY G5
23	016253	2	CB .312-18X .750 FUL ZN
24	605376	1	DECK BUMPER
25	079210	2	FW 0.344X1.0X0.06 ZN
26	604251	2	NT .312-18 HXNL JAM G2ZN
27	608901	1	PUSHER, W/A X1
28	015495	2	GREASE FITTING STRAIGHT
29	604515	6	NT .375-16 FL NY GF
30	025395	6	CB .375-16X 1.00 G5 ZN
31	602857	3	BLADE, F24.50" EHN-F-CW
	602857X	1	6PK BLADE, F24.50" EHN-F
	798710	3	BLADE, 24.50"-MUL-F-CW
	798710X	1	10PK BLADE, 24.50"-MUL-F
	798728	3	BLADE, 24.50"-GAT-F-CW

This page intentionally left blank

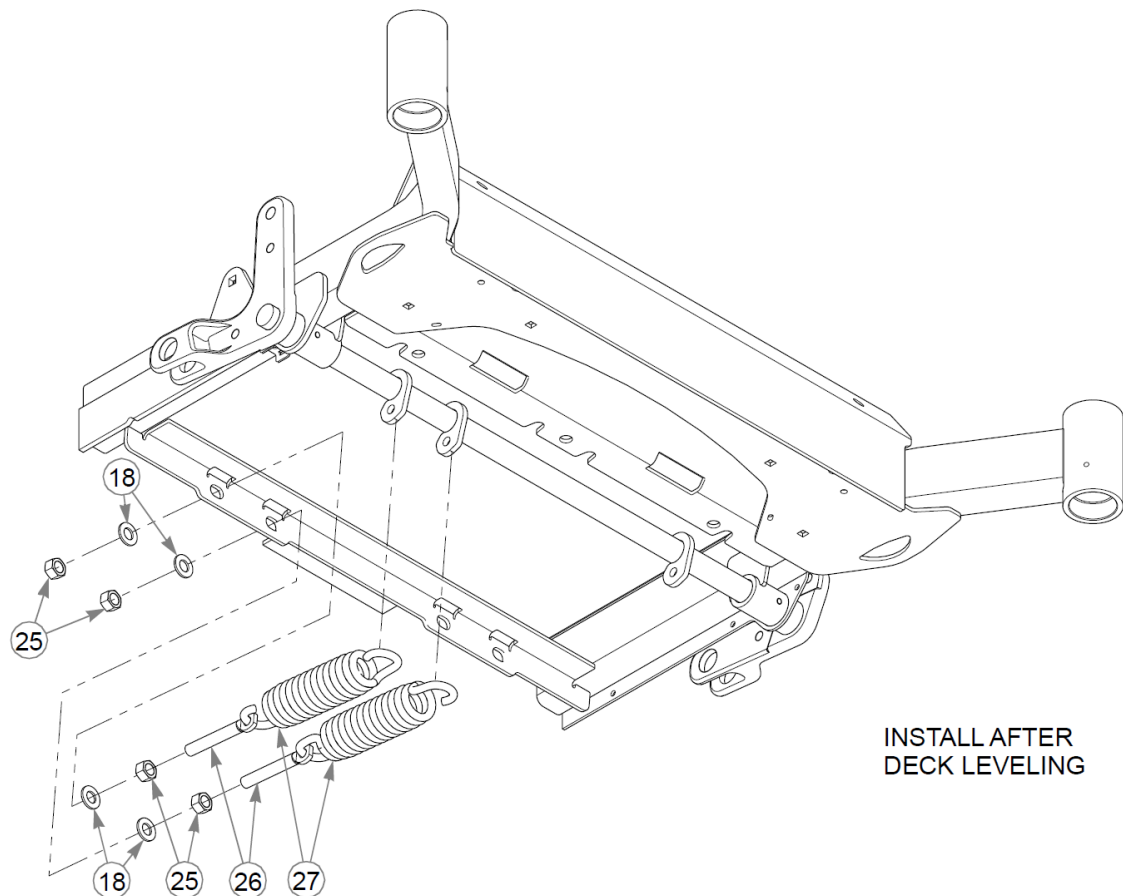
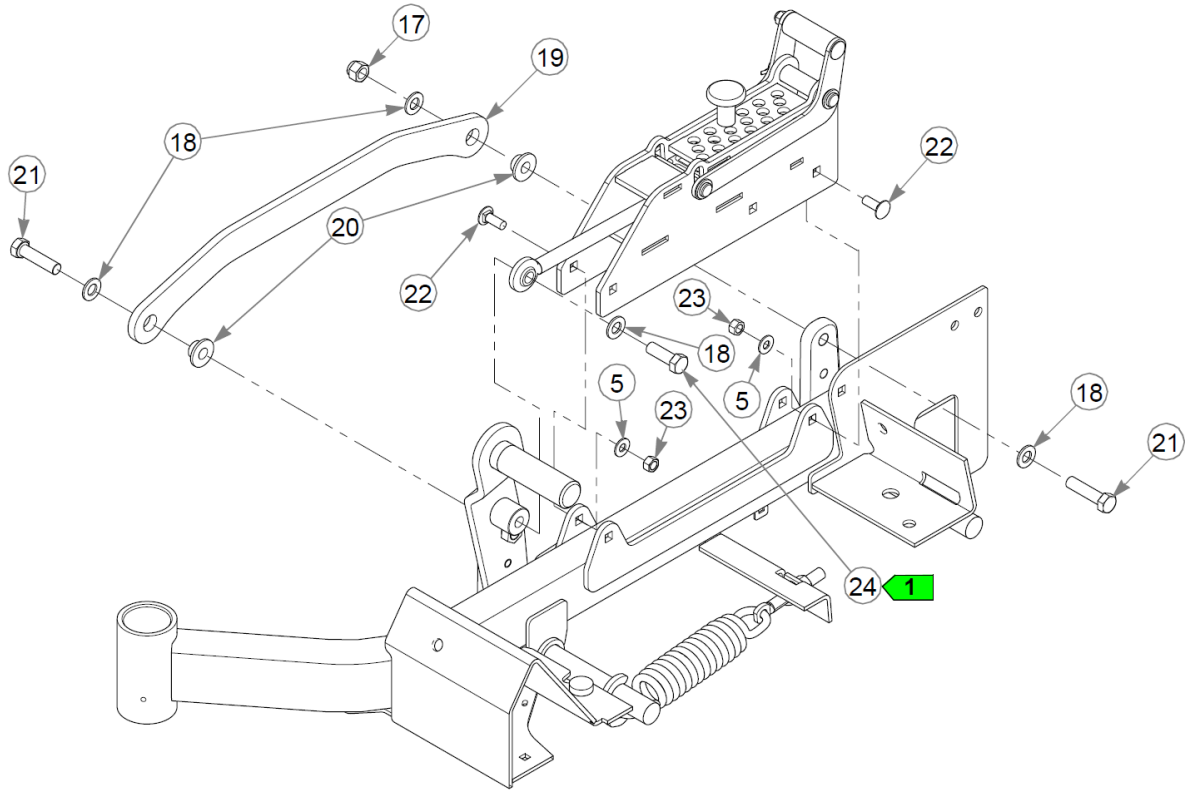
Item	Part No.	Qty	Name
	798728X	1	10PK BLADE, 24.50"-GAT-F
	798702	3	BLADE, F24.50"-H-F-CW
	798702X	1	10PK BLADE, F24.50"-H-F-
32	114988	3	SHIELD, BLADE BOLT
33	782474	3	CW .678 X 2.250 X .187
34	781872	3	CS .625-11X1.250HXG5

Comments for Page: Deck, Deck Belt & Blades (Multi-Page)

1. Torque to 3–6 ft-lbs.
2. Torque to 118 ft-lbs.

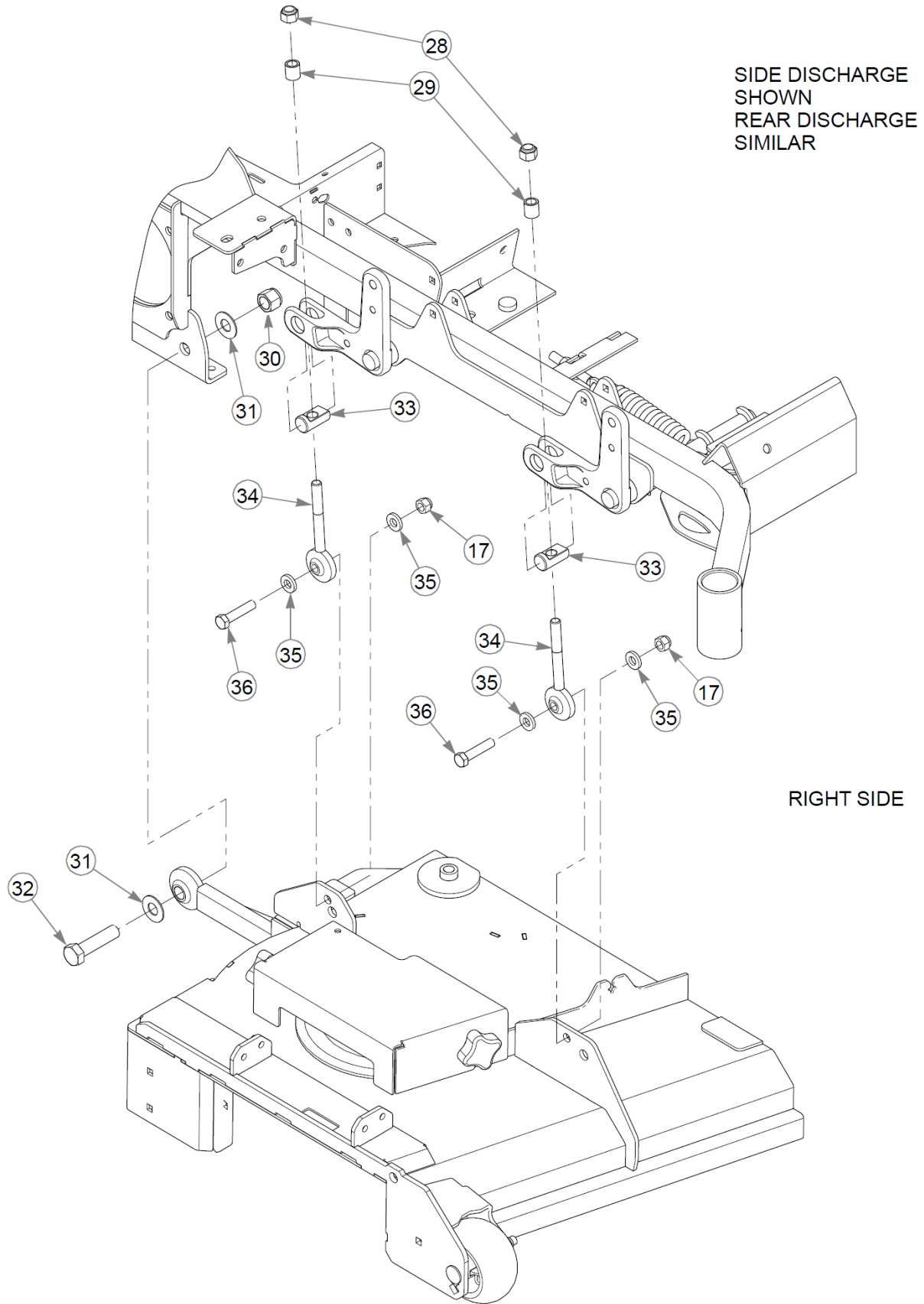


This page intentionally left blank

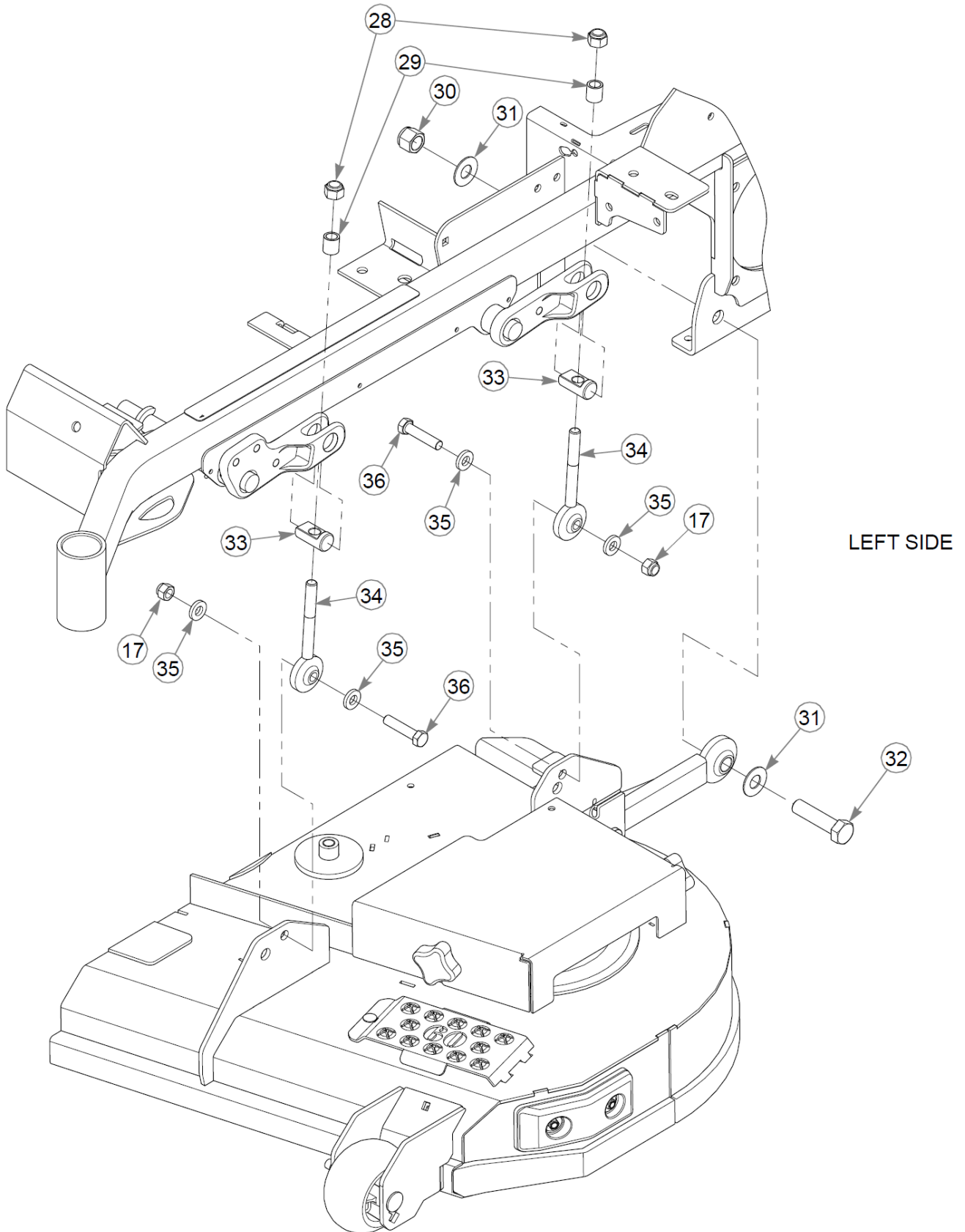


INSTALL AFTER
DECK LEVELING

This page intentionally left blank



This page intentionally left blank



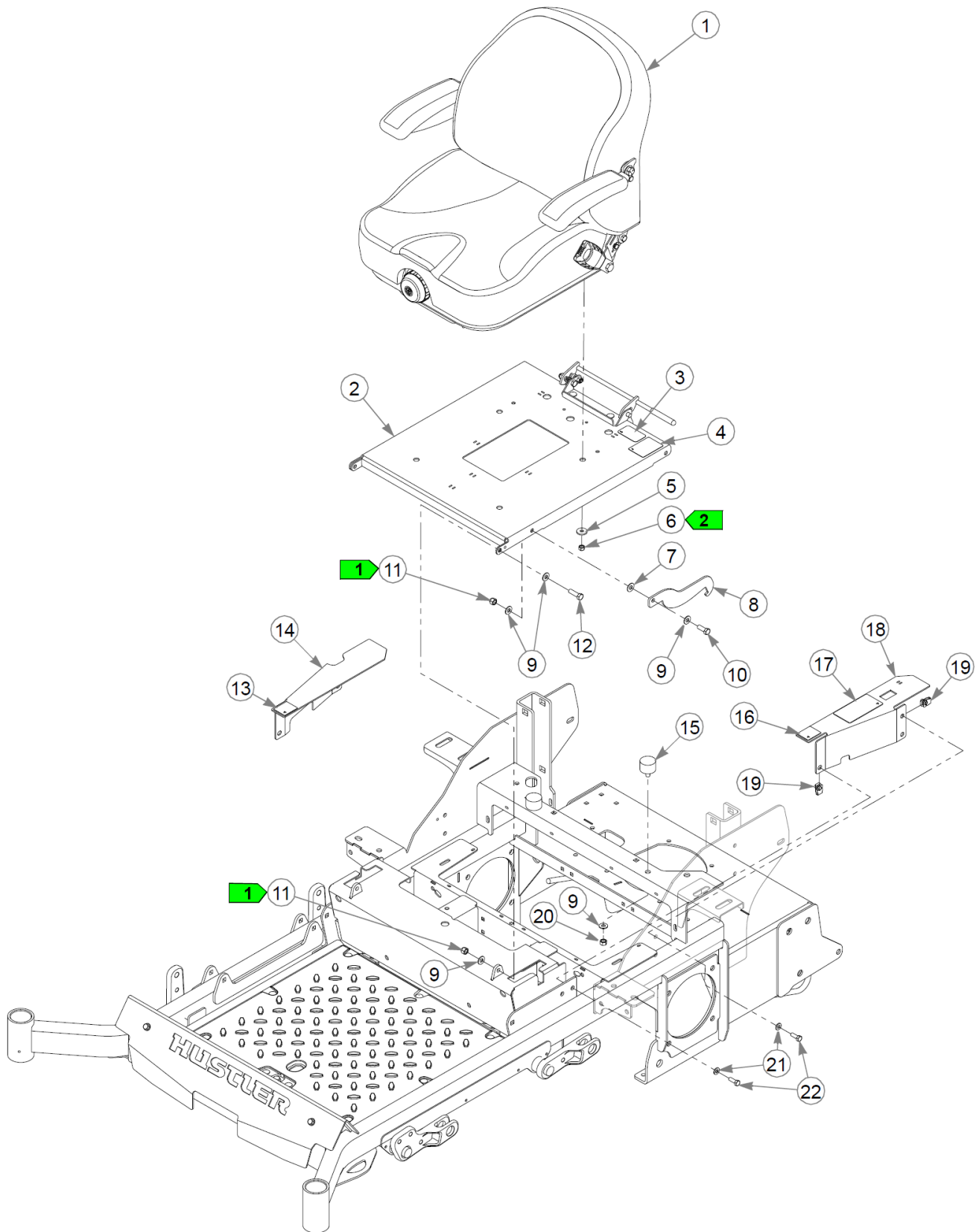
Item	Part No.	Qty	Name
1	606918	1	MAGNETIC PIN, 1/2 x 3.13
2	017251	3	CP .156DX1.000 LG HML Z
3	718288	4	FW .516X.88X.09 ZN
4	086660	1	NT .375-16NLG8
5	767954	7	FW 0.379X.82X.06 HD ZN
6	124361-4	2	LATCH HANDLE
7	124357-1	1	DECK HEIGHT W/A
8	117489	1	SPACER, LATCH
9	604075	1	SPACER, CYLINDER
10	041848	1	CB .375-16X 3.500 FUL Z
11	025965	2	CE .500X3.50 .156X3.34
12	606895	1	SLIDER, DECK LIFT
13	068056	1	CE .500X1.50 .150X1.32
14	122994	1	DECK HEIGHT LINK, W/A
15	124291-1	1	PEDAL W/A
16	036244	2	CS .375-16X1.00 HX G5 ZN
17	781567	5	NT .500-13NLG5
18	004168	8	FW .531x1.00x.090 ZN
19	128308-4	1	LINK, DECK CRANK
20	608319	2	BUSHING
21	078949	2	CS .500-13X2.000 FUL HX
22	025395	4	CB .375-16X 1.00 G5 ZN
23	054502	4	NT .375-16HXG5
24	074252	1	CS .500-13X1.50 HX G5 ZN
25	008193	4	NT .500-13HXG5
26	606478	2	EB, .500-13X3.00 FULTHD
27	606454	2	SPRING, EXT 7.0 300LB/IN
28	606316	4	NT 0.563-18 NLGC
29	606292	4	DECK LEVEL SPACER
30	061101	2	NT .750-10 HX ZN NL GR B
31	025296	4	FW .760X1.63X0.08 ZN
32	051169	2	CS .750-10X3.000HXG5
33	607979	4	DECK LEVEL PIVOT
34	606290	4	W/A DECK LEVEL ROD END
35	767962	8	FW .531 x 1.063 x .175

This page intentionally left blank

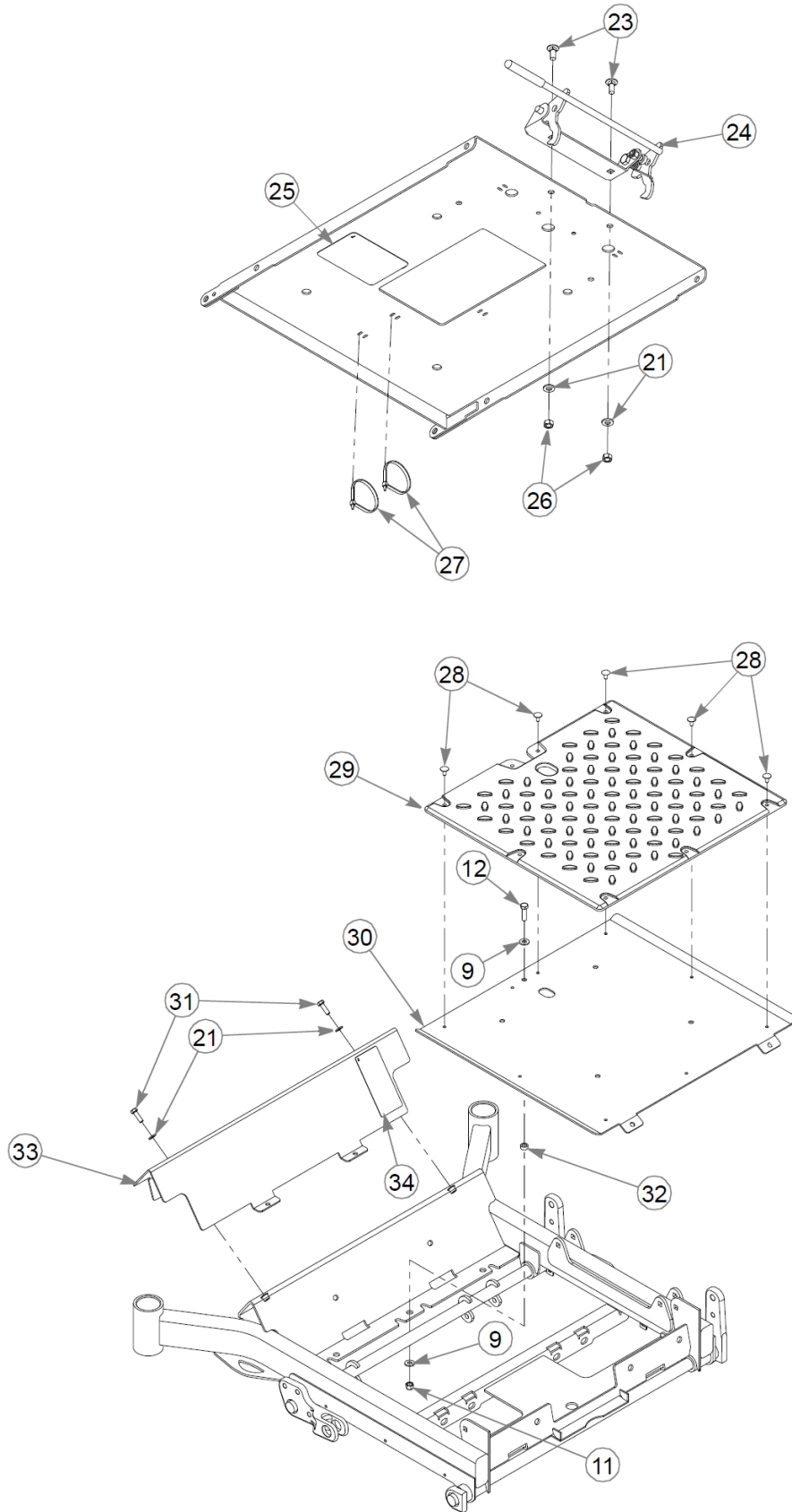
Item	Part No.	Qty	Name
36	761544	4	CS .500-13X2.250HXG8

Comments for Page: Deck Lift & Deck Height (Multi-Page)

1. Apply thread locking compound, 703926, to the threaded surface.



This page intentionally left blank

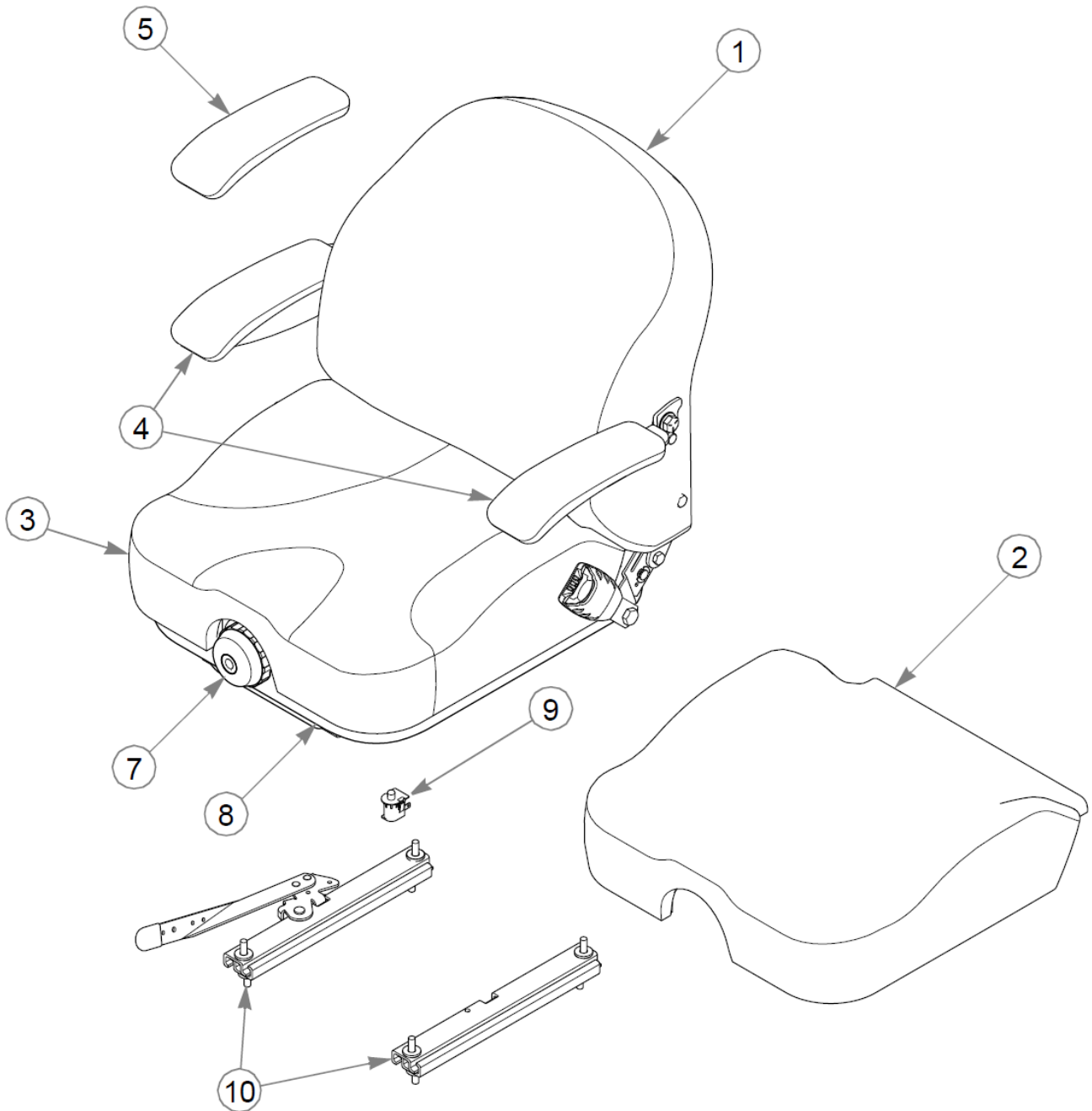


Item	Part No.	Qty	Name
1	608935	1	SEAT, I3M SEATS INC
2	556585	1	SVC, SEAT PAN
3	605688	1	DECAL, LEVEL FUEL FILL
4	785188	1	DECAL, Z ARMREST WARNING
5	712927	4	FW 0.344X1.00X.12 HD ZN
6	058776	4	NT .312-18NLG5
7	724716	2	WASHER, FIBER (FS)
8	350421	2	SEAT PAN STOP (PLATED)
9	767954	11	FW 0.379X.82X.06 HD ZN
10	036244	2	CS .375-16X1.00 HX G5 ZN
11	086660	4	NT .375-16NLG8
12	052860	3	CS .375-16X1.25 HX G5 ZN
13	785220	1	DECAL, STEERING R.S.
14	556584	1	SVC, TRIM PANEL RH
15	601650	2	VIBRATION MOUNT 70DURO
16	785139	1	DECAL, STEERING L.S.
17	600899	1	DECAL, PUMP BELT WARNING
18	556583	1	SVC, TRIM PANEL LH
19	601069	5	CN .312-18x.200 MAX THK
20	054502	2	NT .375-16HXG5
21	768523	9	FW 0.343SAE
22	064014	5	CS .312-18X0.875HXG5
23	016253	2	CB .312-18X .750 FUL ZN
24	605907	1	LATCH ASSEMBLY
25	601815	1	DECAL, BATTERY WARNINGS
26	034272	2	NT .312-18HXG5
27	000331	2	WIRE TIE, SMALL/SHORT
28	607868	9	PUSH IN RIVET
29	608838	1	FLOOR MAT
30	128352-1	1	FLOOR PAN
31	036236	2	CS .312-18X1.000HXG5
32	118900	1	SPACER, DECK LIFT LINK
33	556591	1	SVC, FOOTREST, HUSTLER
34	606894	1	DECAL, DECK HEIGHT

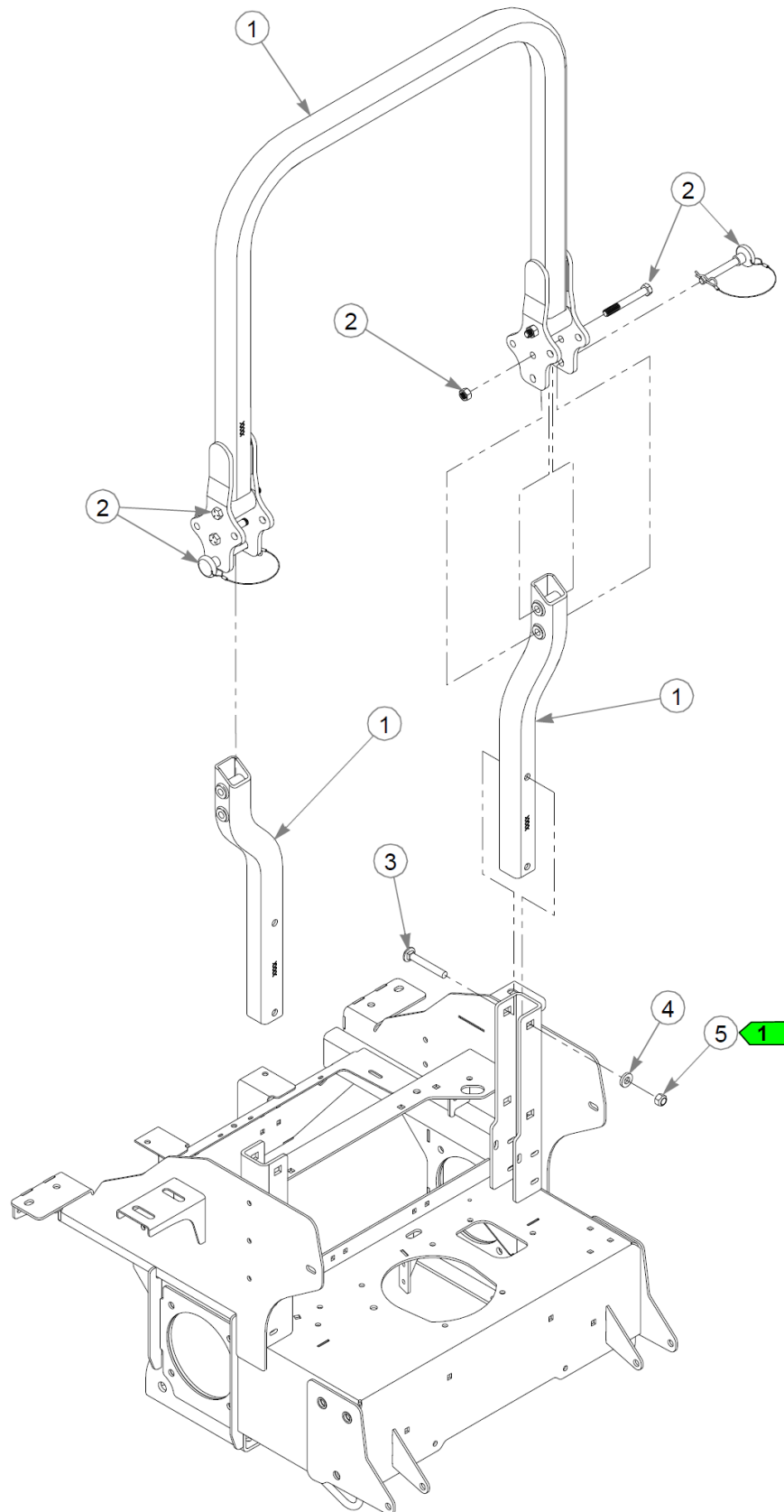
Comments for Page: Seat & Floor Plan (Multi-page)

1. Do not torque; the seat pan and seat pan stop must pivot freely.
2. Torque to 17 ft-lbs.

This page intentionally left blank



Item	Part No.	Qty	Name
	608935	1	SEAT, I3M SEATS INC
1	608936	1	SVC, SEAT BACK COVER
2	608351	1	SVC, SEAT FOAM I3M
3	608937	1	SVC, SEAT CUSHION COVER
4	607166	1	SVC, ARM REST KIT
5	606081	2	SVC, ARM PAD
6	607207	1	SVC, SEAT BELT
7	607206	1	SVC, KNOB KIT
8	607205	1	SVC, BELLOWS
9	606082	1	SVC, OPS
10	607204	1	SVC, TRACK KIT



Item	Part No.	Qty	Name
1	608230	1	SVC, ROPS ASSY
2	608125	1	ROPS HARDWARE KIT
3	608568	4	CB .500-13 X 3.500 G5
4	767962	4	FW .531 x 1.063 x .175
5	023317	4	NT .500-13UNTG8

Comments for Page: ROPS

1. Torque to 73 ft-lbs.