

Hustler® Parts Manual

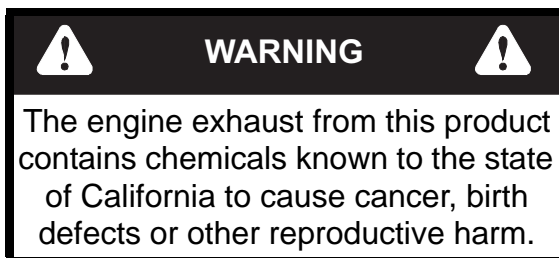


HUSTLER®
TURF EQUIPMENT

200 South Ridge Road

Hesston, Kansas

67062



NOTICE OF REQUIREMENT OF SPARK ARRESTER MUFFLER

This equipment may create sparks that can start fires around dry vegetation. California Public Resources Code Section 4442.6 provides that it is unlawful to use or operate an internal combustion engine on any forest-covered, brush-covered, or grass-covered land unless the engine is equipped with a spark arrester maintained in effective working order. A spark arrester is a device constructed of nonflammable materials specifically for the purpose of removing and retaining carbon and other flammable particles over 0.0232 of an inch in size from the exhaust flow of an internal combustion engine that uses hydrocarbon fuels or which is qualified and rated by the United States Forest Service. Other states or federal areas may have similar laws. The Operator Should Contact Local Fire Agencies For Laws or Regulations Relating to Fire Prevention Requirements. **THIS EQUIPMENT DOES NOT HAVE A SPARK ARRESTER AND YOU SHOULD CONTACT YOUR AUTHORIZED DEALER FOR THE PURCHASE OF A SPARK ARRESTER.**

Inspect spark arrester daily; replace every 500 hours or as needed.

The Engine Owner's Manual provides information regarding the U.S. Environmental Protection Agency (EPA) and the California Emission Control Regulation of emission systems, maintenance and warranty.

Keep Engine Owner's Manual with your unit. Should the Engine Owner's Manual become damaged or illegible, replace immediately. Replacements may be ordered per the information found in the Product Information section of the owner's manual.

Federal law and California State law prohibit the following acts or the causing thereof:

1. The removal or rendering inoperative by any person other than for purposes of maintenance, repair, replacement, of any device or element of design incorporated into any equipment for the purposes of emissions control prior to or after its sales or delivery to the ultimate purchaser or while it is in use, or
2. The use of the equipment after such device or element of design has been removed or rendered inoperative by any person.

General Information Page	1
Frame, Muffler Guard & Engine Guard	
Frame	2-1
Muffler Guard & Engine Guard	2-2
Hydraulic System, Drive Belt, Clutch, Steering & Brake	
Hydraulic System	3-1
Hydraulic Filter & Reservoir Assembly Breakdown	3-2
Hydraulic Motor Assembly Breakdown	3-3
LS Pump Assembly Breakdown	3-4
RS Pump Assembly Breakdown	3-5
Hydraulic Oil Cooler Mount	3-6
Pump Drive, Clutch & Drive Belt	3-7
Steering	3-8
Steering Cover Assembly (Multi-Page)	3-9
Steering Box Assembly	3-10
Brake	3-11
Wheels & Tires	
Wheels & Tires	4-1
Front Wheel & Fork	4-2
SERVICE PARTS - 606745 Front Tire/Wheel	4-3
Drive Wheel Breakdown	4-4
Engine, Muffler & Fuel System	
Engine & Muffler	5-1
Engine Service Parts - FX1000V EFI	5-2
Fuel System (Multi-Page)	5-3
LS Fuel Tank Service Parts - 608681	5-4
RS Fuel Tank Service Parts - 608682	5-5
Instrument Panel, Wire Harness & Battery	
Instrument Panel & Wire Harness	6-1
Battery	6-2
Deck, Deck Belt, Blades & Deck Lift	
Service Deck	7-1
Deck Pulleys & Spindles	7-2
SERVICE PARTS - 607407 Spindle	7-3
Deck Belt, Discharge Chute, Pulley Covers & Blades (Multi-Page)	7-4
Deck Lift & Deck Height (Multi-Page)	7-5
Seat & ROPS	
Seat & Floor Pan	8-1
Seat Service Parts - 608938	8-2
ROPS	8-3
'QUICK LIST' Replacement Parts List	9

General Information

Note: When ordering parts, you must use the part number as shown for each part, not the index number. Always give the model and serial number to your parts and service representative.

Note: Items sold in bulk such as seals and hoses are sold by the foot.

Using This Manual

This manual is part of a service package for the Hustler® mowers. Use of this manual in conjunction with other Hustler® mower and component manuals will provide the information necessary to service and maintain Hustler® mowers.

This Parts Manual provides a complete parts listing for the unit. Use this manual when ordering parts. Illustrations used were current at the time of printing, but subsequent production changes may cause your machine to vary slightly in detail. Excel Industries, Inc. reserves the right to redesign and change the machine as deemed necessary, without notification. If a change has been made to your machine which is not reflected in this parts manual, see your authorized dealer for current information and parts.

The Service Manual is a service guide for use by Service Technicians. It provides the necessary information needed to perform normal maintenance requirements on these units.

The Operator's Manual provides fundamental operational information and operational safety that is needed when operating the mower.

The component manuals are furnished by the various manufacturers to be used for the troubleshooting and servicing of their products.

Hardware Description Codes & Abbreviations

The following codes are used throughout this parts manual. Refer to this list when ordering parts.

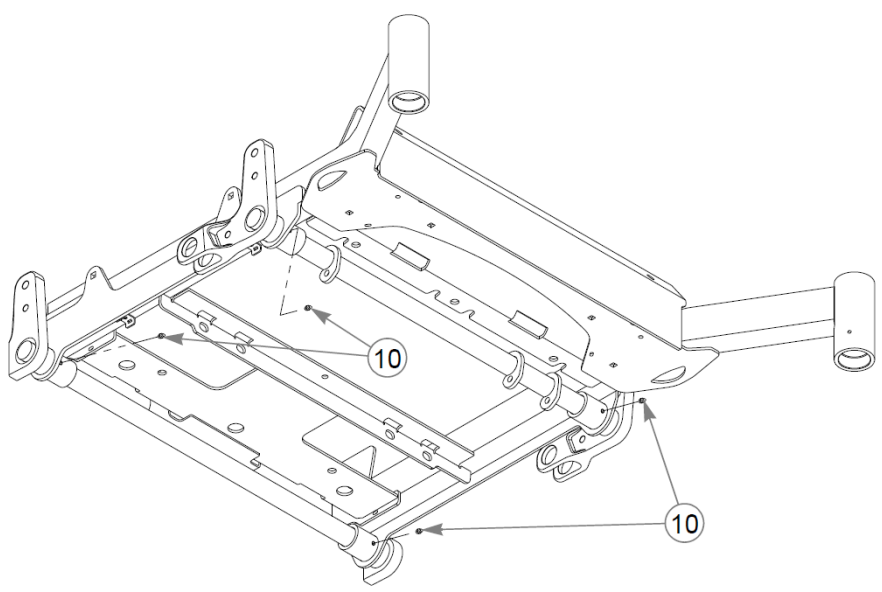
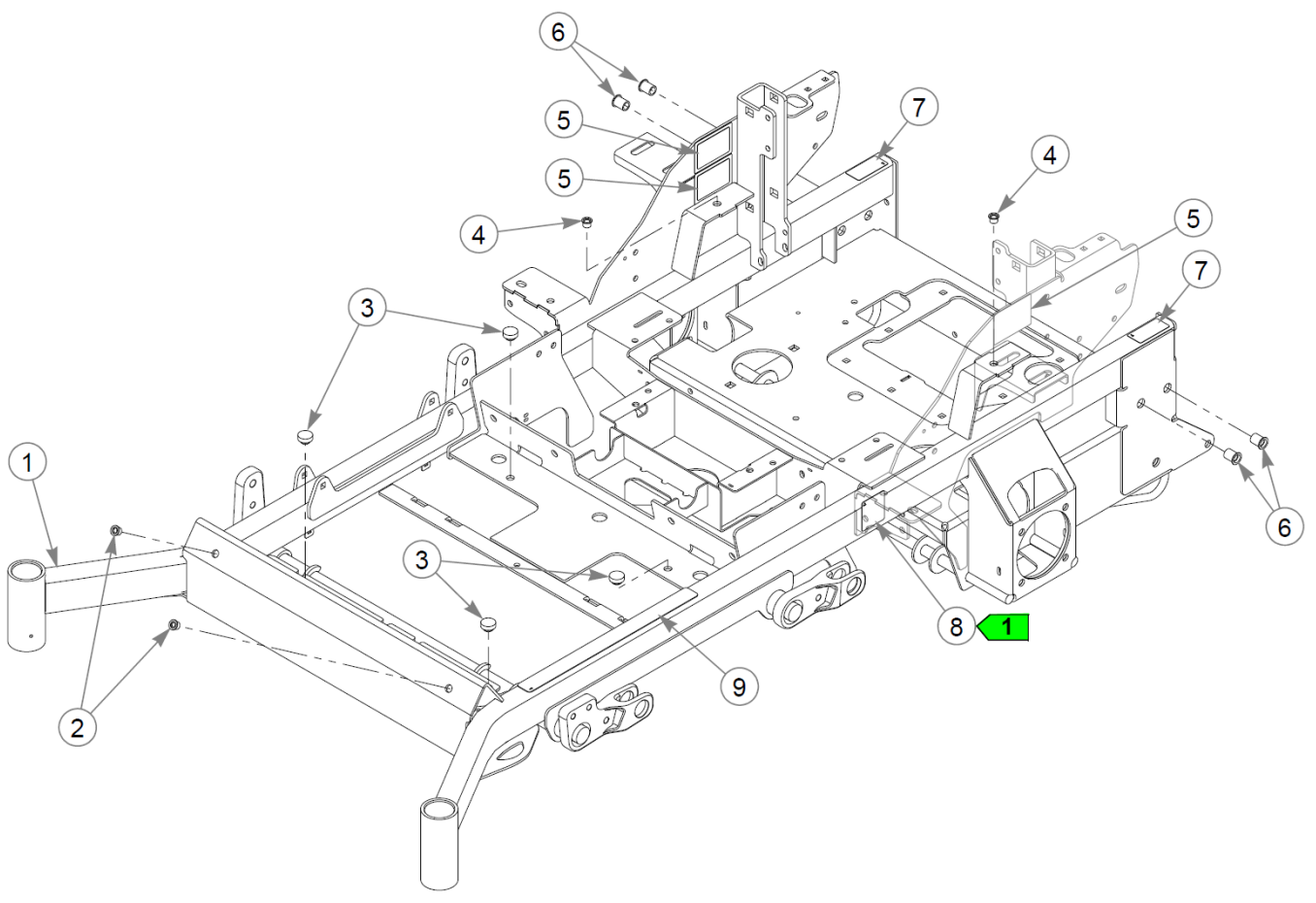
ABBREVIATION	DESCRIPTION	ABBREVIATION	DESCRIPTION
CB	CARRIAGE BOLT	MB	MACHINE BUSHING
CE	CLEVIS PIN	MS	MACHINE SCREW
CN	CLIP NUT	NT	NUT
CP	COTTER PIN	SC	SELF TAPPING CAP SCREW
CS	CAP SCREW	SH	SOCKET HEAD
CW	CUP WASHER	SB	SHOULDER BOLT
FDRW	FENDER WASHER	SS	SET SCREW
FW	FLAT WASHER	OD	OUTSIDE DIAMETER
HX	HEX HEAD	ID	INSIDE DIAMETER
LW	LOCK WASHER	WN	WELD NUT

Standard Torques

The following chart lists the standard torque values for the threaded fasteners found in this manual. Torque all cap screws, nuts and set screws to these values unless a different torque is shown in the Notes section next to the fastener.

SIZE	FT-LBS	N•M	SIZE	FT-LBS	N•M
.250	8.2	11.1	M3	1	1.3
.312	17	23	M4	2.2	3
.375	30	40	M5	4.5	6.1
.438	48	65	M6	7.7	10.4
.500	73	99	M8	18.5	25
.562	105	143	M10	37	50
.625	145	200	M12	64	87
.750	260	350	M14	80	108.5
.875	420	565	M16	160	215
1.00	625	850	M20	320	435
			M24	555	750

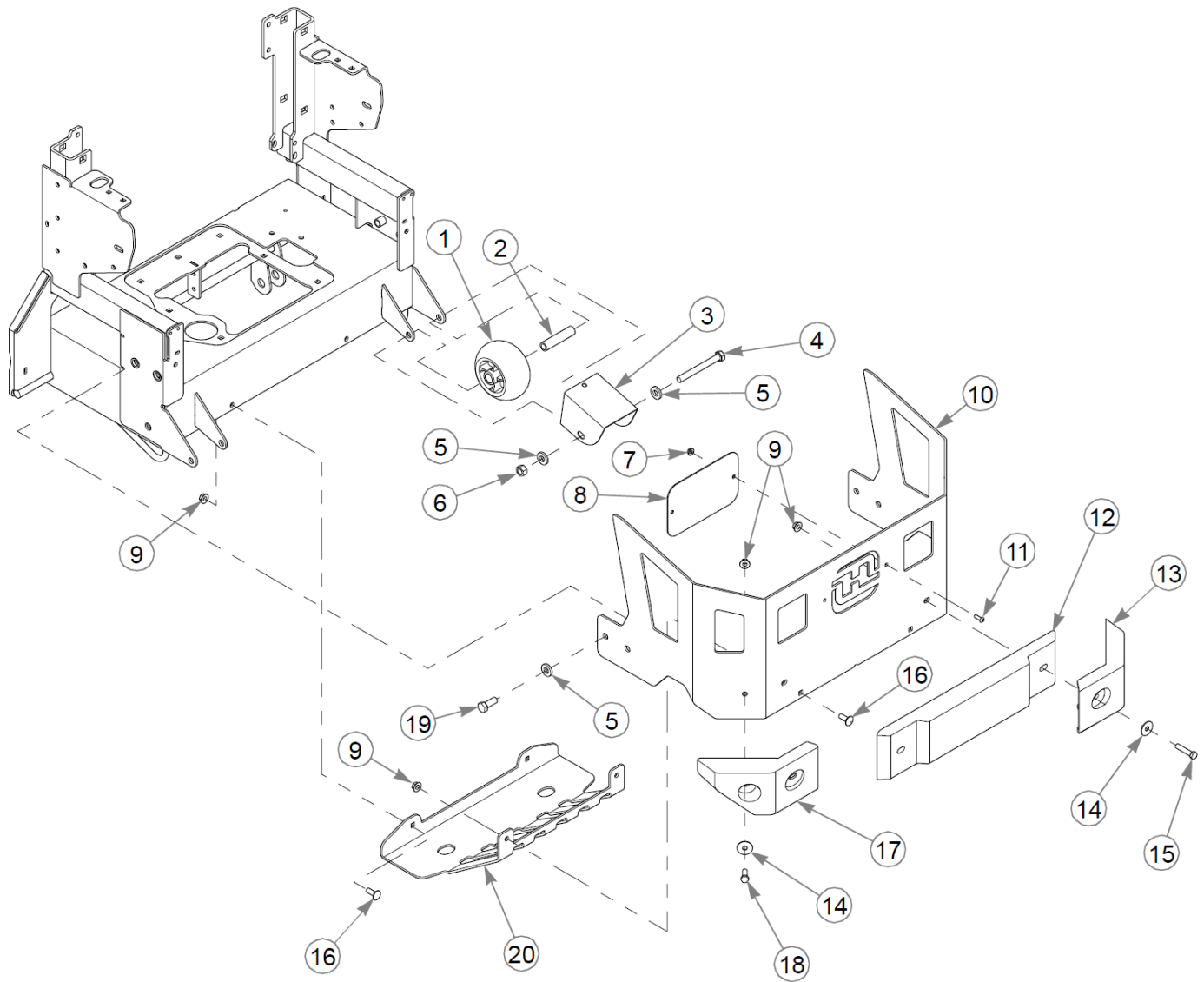
This page intentionally left blank



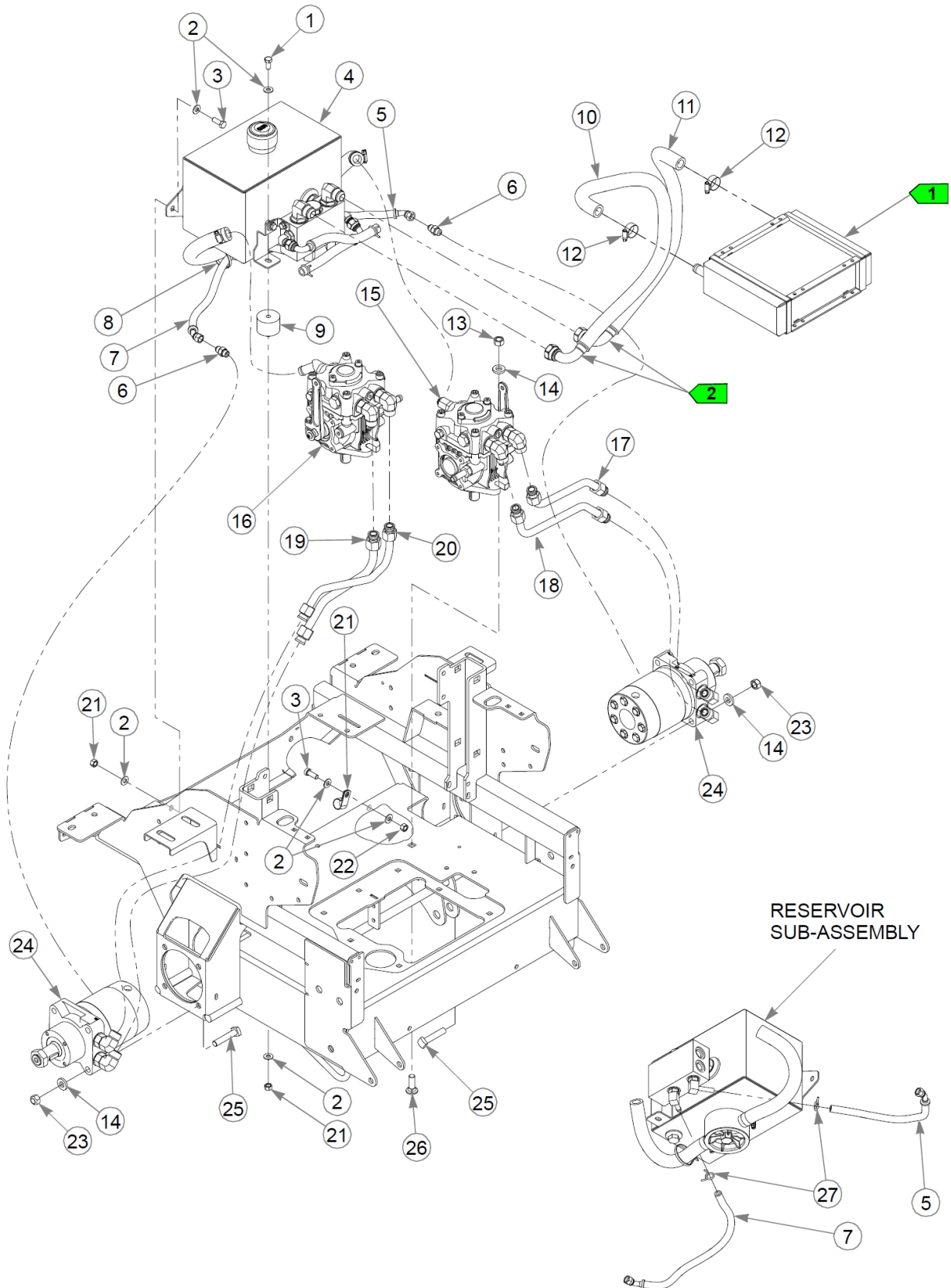
Item	Part No.	Qty	Name
1	556517	1	SVC FRAME
2	808485	2	RIVET NUT, 5/16-18 THRE
3	781880	4	BUMPER, .500x 1.00x .31
4	808493	2	RIVET NUT, 3/8-16 THREA
5		3	SERIAL NUMBER / SPEC. DECAL
6	600961	4	RIVET NUT, 1/2-13 THREAD
7	602041	2	DECAL, HOT
8	607782	1	DECAL, DBA 115 ISO
9	601993	1	DECAL, SAFE OPERATION
10	015495	4	GREASE FITTING STRAIGHT

Comments for Page: Frame

- 1. Decal, 607782, on EX units only.



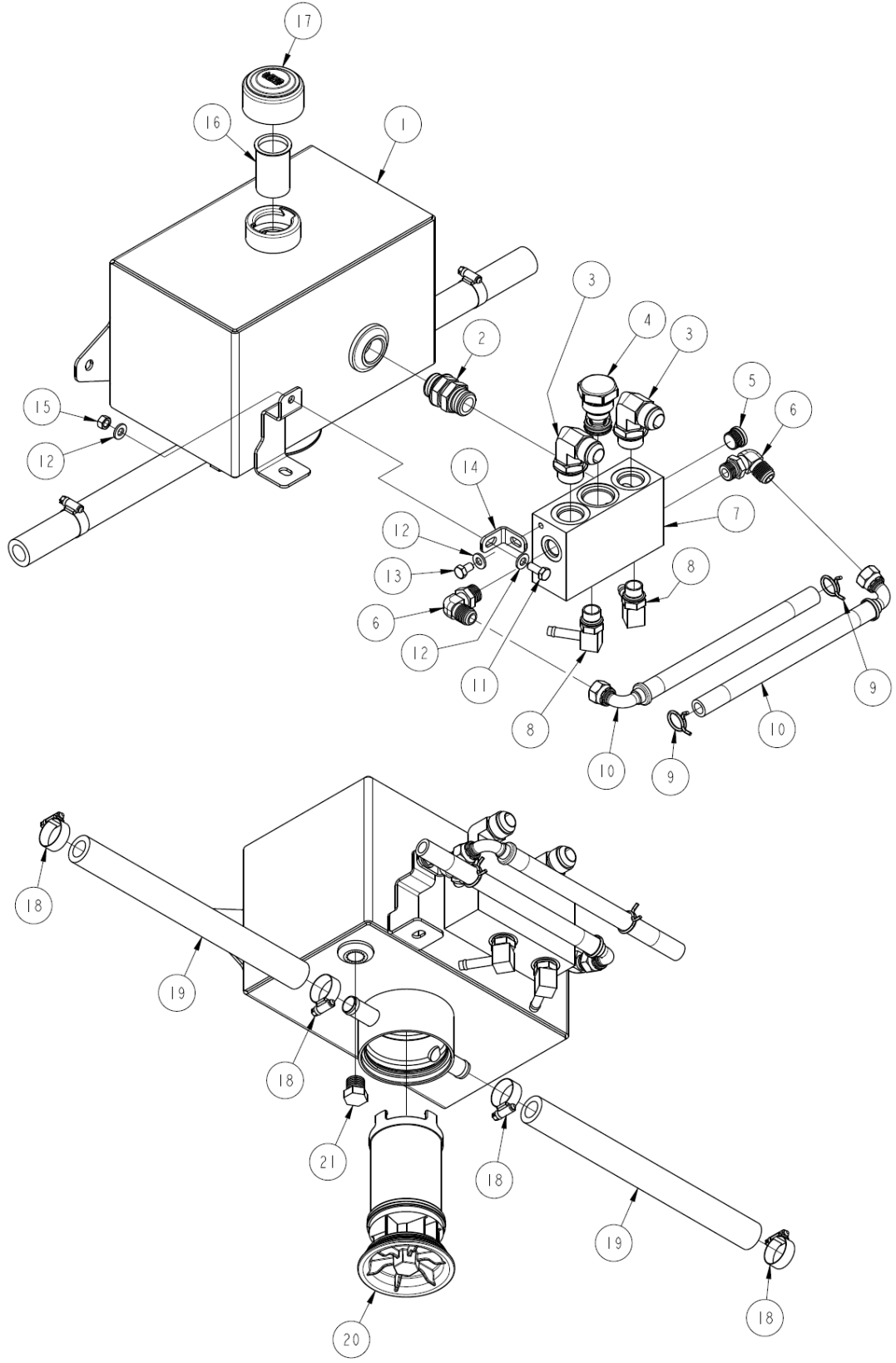
Item	Part No.	Qty	Name
1	602263	2	WHEEL, ANTI-SCALP
2	602345	2	SPACER, ANTI-SCALP 3.22
3	128476-6	2	HEAT SHIELD, ROLLER
4	068239	2	CS .500-13X4.500HXG5
5	767962	8	FW .531 x 1.063 x .175
6	008193	2	NT .500-13HXG5
7	016816	2	NT .250-20FLKG5
8	128420-6	1	BACKER H LOGO
9	016899	8	NT .375-16 FLKG5
10	128454-1	1	ENGINE GUARD
11	605473	2	CS .250-20X0.75 BH TX BZ
12	606657	1	PLASTIC BUMPER, CENTER
13	606659	1	PLASTIC BUMPER, RH
14	705137	4	FW 0.391X1.25X.06 ZN
15	705178	2	CS .375-16X1.750HXG5
16	025395	4	CB .375-16X 1.00 G5 ZN
17	606658	1	PLASTIC BUMPER, LH
18	036244	2	CS .375-16X1.00 HX G5 ZN
19	705954	4	CS .500-13X1.25 HX G5 ZN
20	124897-6	1	MUFFLER GUARD



Item	Part No.	Qty	Name
1	055822	1	CS .375-16X0.75 HX G5 ZN
2	767954	10	FW 0.379X.82X.06 HD ZN
3	036244	4	CS .375-16X1.00 HX G5 ZN
4	N/A	1	REFER TO "HYDRAULIC RESERVOIR ASSEMBLY BREAKDOWN"
5	603044	1	HOSE, R MOTOR CASE DRAIN
6	779132	2	FTG, -6MORB/-6MJIC STR
7	603043	1	HOSE, L MOTOR CASE DRAIN
8	000331	1	WIRE TIE, SMALL/SHORT
9	606890	1	VIBRATION MOUNT
10	603046	1	HOSE, TO COOLER
11	603047	1	HOSE, FROM COOLER
12	700484	2	CLAMP, HOSE (FS)
13	008193	4	NT .500-13HXG5
14	767962	12	FW .531 x 1.063 x .175
15	N/A	1	REFER TO "RS PUMP ASSEMBLY BREAKDOWN"
16	N/A	1	REFER TO "LS PUMP ASSEMBLY BREAKDOWN"
17	602876	1	TUBE, RP-TM RH LOOP
18	602875	1	TUBE, LP-BM RH LOOP
19	602873	1	TUBE, LP-BM LH LOOP
20	602874	1	TUBE, RP-TM LH LOOP
21	043570	2	CLIP - HOSE - SINGLE(FS)
22	054502	5	NT .375-16HXG5
23	023317	8	NT .500-13UNTG8
24		2	REFER TO "WHEEL MOTOR BREAKDOWN"
25	602256	8	CS .500-13X2.500 SQ G5
26	028274	4	CB .500-13X 1.500 FULL
27	601617	2	SPRING CLAMP, 5/8" DIA.

Comments for Page: Hydraulic System

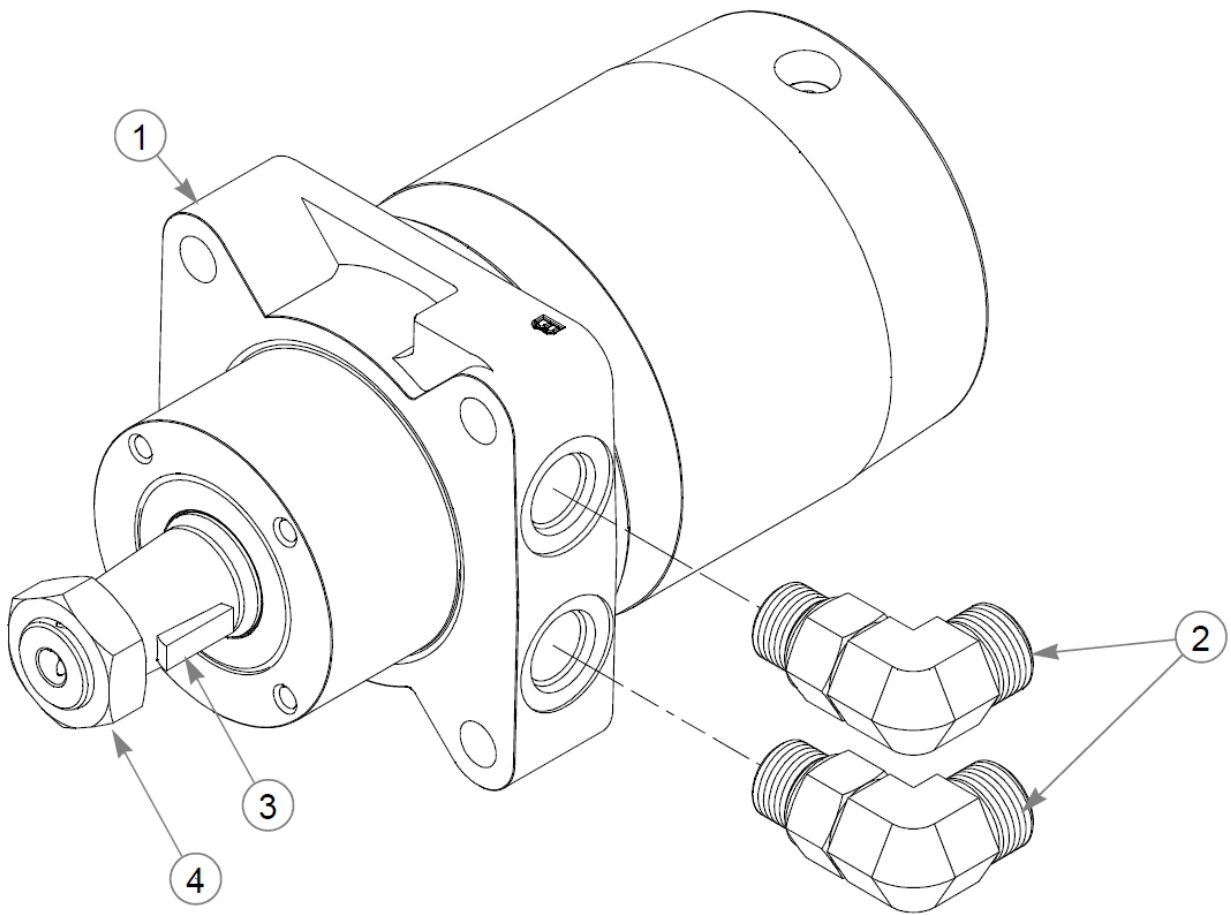
1. Part of the Cooling Support Installation.
2. Torque to 80 ft-lbs +10% - 0.



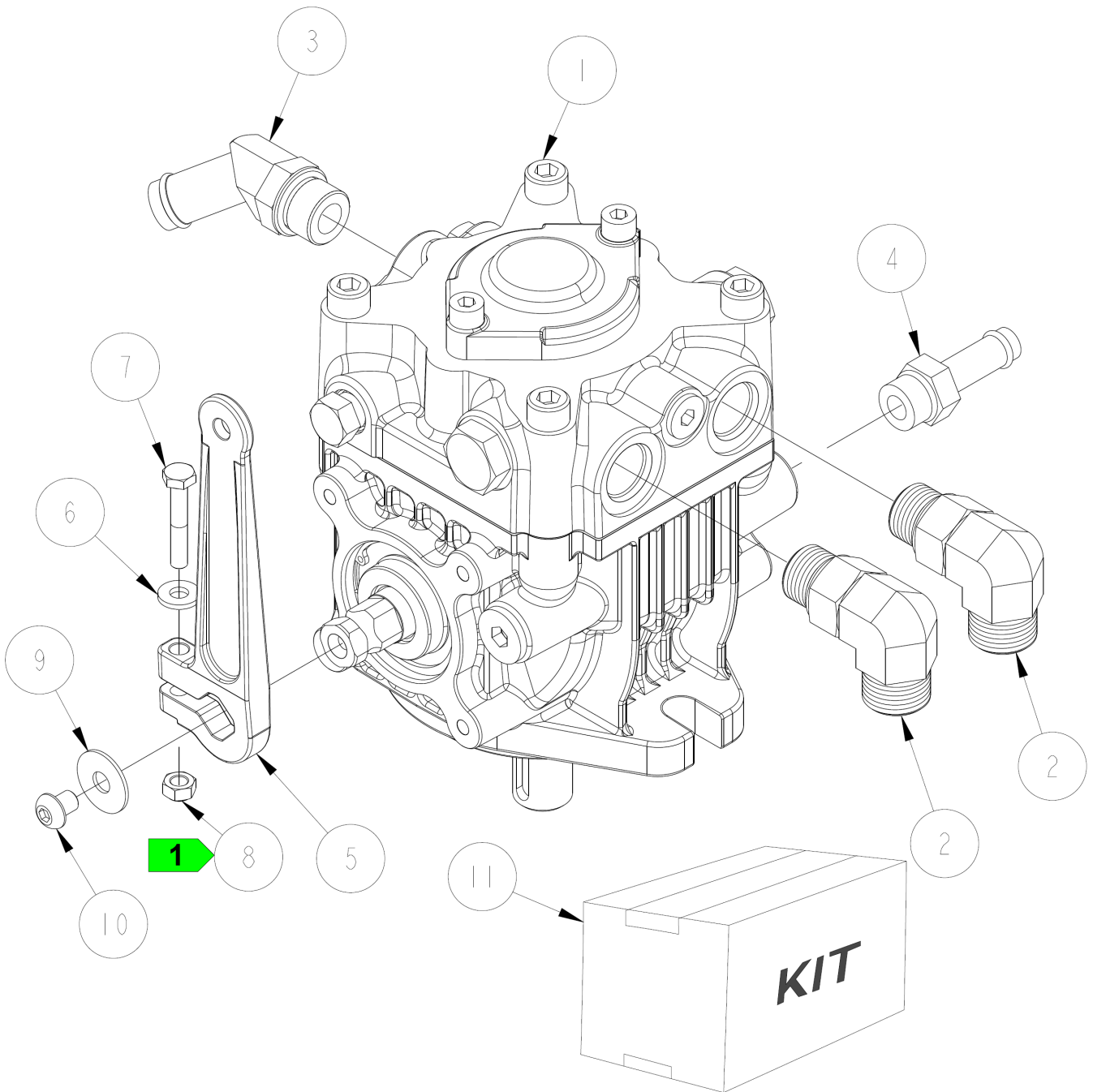
Hydraulic Filter & Reservoir Assembly
Breakdown

60" Super Z HD Parts Manual - 942995 -
HTSHDV060KAWFX1000VEFIA

Item	Part No.	Qty	Name
1	608730	1	RESERVOIR, HYDRAULIC
2	603039	1	FTG, -12MORB/-12MORB STR
3	603189	2	FTG,-12MORB/-12MJIC 90°
4	603053	1	CHECK VALVE
5	603123	1	FTG,-8MORB HEX PLUG
6	771311	2	FTG, -8MORB/-8MJIC, 90°
7	603000	1	MANIFOLD, CASE DRAIN
8	603190	2	FTG,-8MORB/-6BT 90°
9	601001	2	SPRING CLAMP, .75" DIA
10	603042	2	HOSE, PUMP CASE DRAIN
11	034280	1	CS .312-18X0.750HXG5
12	768523	3	FW 0.343SAE
13	068346	1	CS .312-18X0.500HXG5
14	113623	1	SUPPORT BRACKET
15	034272	1	NT .312-18HXG5
16	032771	1	STRAINER
17	032763	1	CAP, BREATHER
18	700484	4	CLAMP, HOSE (FS)
19	603045	2	HOSE, PUMP SUCTION
20	602768X	1	HYDRAULIC OIL FILTER
21	781658	1	FTG, -8MORB/HEX PLUG



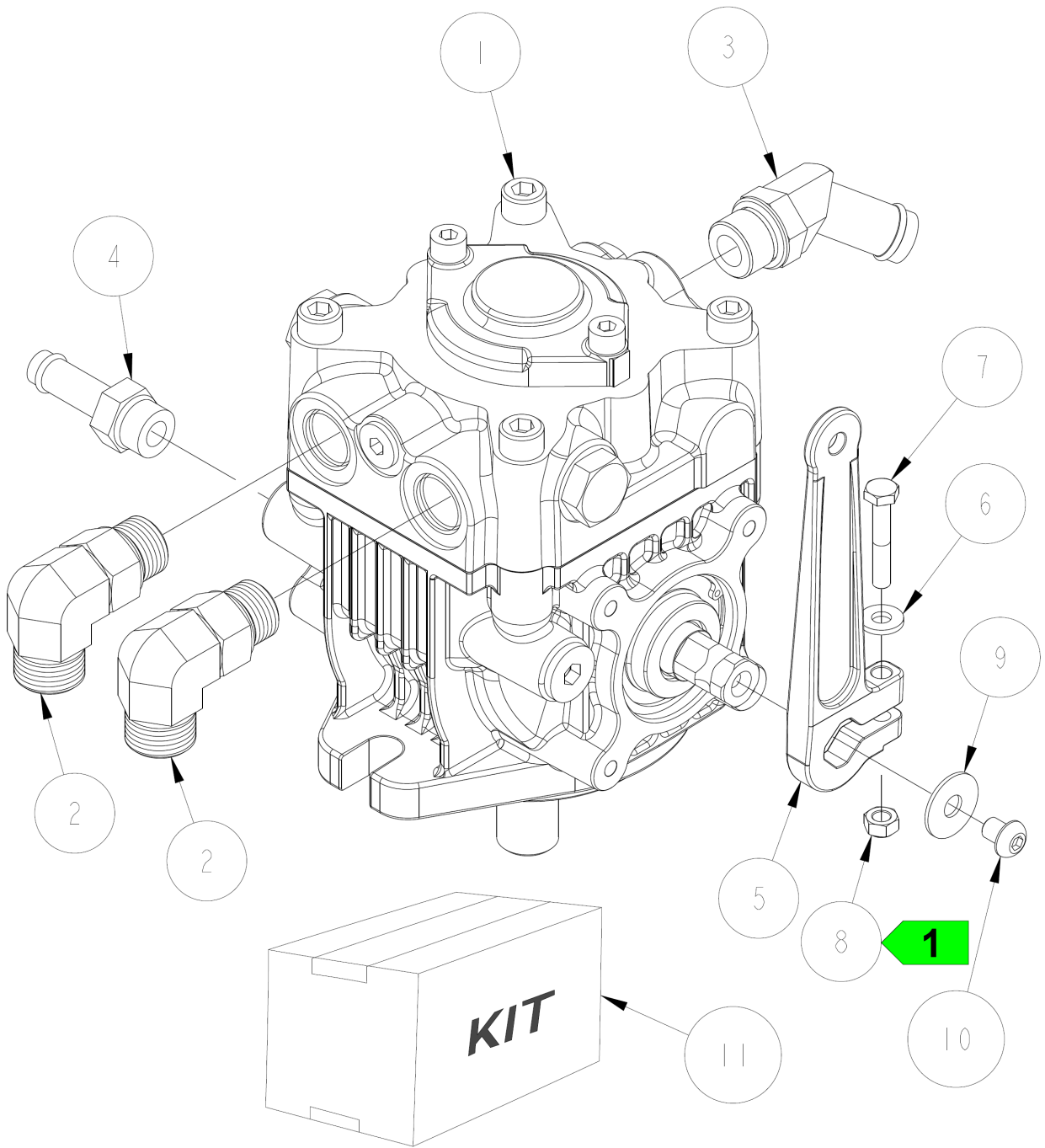
Item	Part No.	Qty	Name
1	602714	1	MOTOR, TG0280 - HH
2	602443	2	FTG,-10MORB/-10MORFS 90°
3	064337	1	ROSS WOODRUFF KEY
4	065516	1	ROSS NUT



Item	Part No.	Qty	Name
1	602556	1	PUMP, DANFOSS DDC20 - HH
2	602443	2	FTG,-10MORB/-10MORFS 90°
3	774968	1	FTG, -10MORB/-12BT 45°
4	601523	1	FTG, -8MORB/-8BT STR
5	602732	1	PUMP ARM , SUPER Z
6	768515	1	FW 0.281SAE
7	008581	1	CS .250-20X1.500HXG5
8	068551	1	NT .250-20 HXZY NL
9	079210	1	FW 0.344X1.0X0.06 ZN
10	603272	1	CS M8-1.25x10 G10.9 SHBH
11	603362	1	SEAL KIT, DANFOSS DDC20

Comments for Page: LS Pump Assembly Breakdown

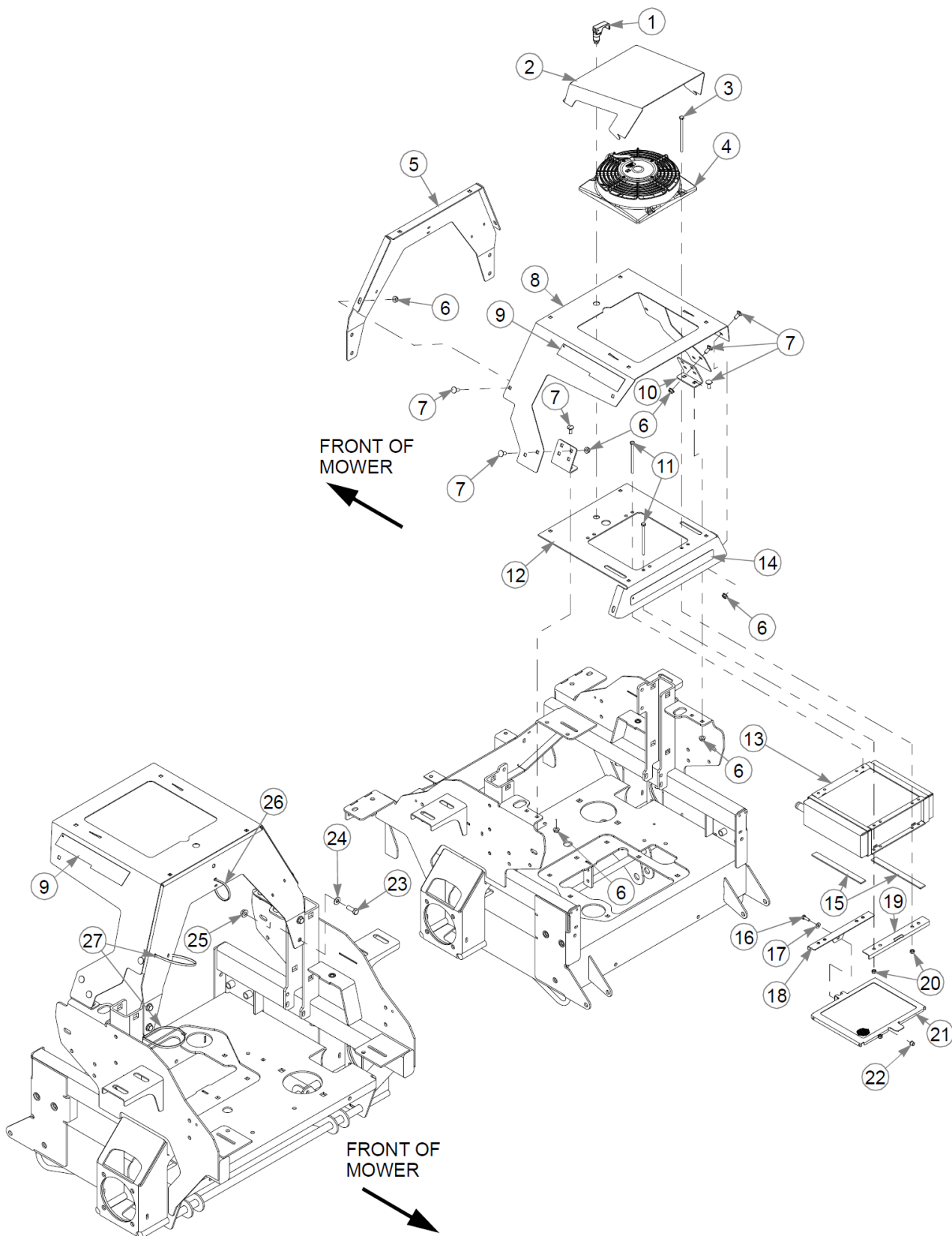
1. Torque to 8.2 ft-lbs. (11.1 N•m)



Item	Part No.	Qty	Name
1	602964	1	PUMP, DANFOSS DDC20 - HH
2	602443	2	FTG,-10MORB/-10MORFS 90°
3	774968	1	FTG, -10MORB/-12BT 45°
4	601523	1	FTG, -8MORB/-8BT STR
5	602732	1	PUMP ARM , SUPER Z
6	768515	1	FW 0.281SAE
7	008581	1	CS .250-20X1.500HXG5
8	068551	1	NT .250-20 HXZY NL
9	079210	1	FW 0.344X1.0X0.06 ZN
10	603272	1	CS M8-1.25x10 G10.9 SHBH
11	603362	1	SEAL KIT, DANFOSS DDC20

Comments for Page: RS Pump Assembly Breakdown

1. Torque to 8.2 ft-lbs. (11.1 N•m)

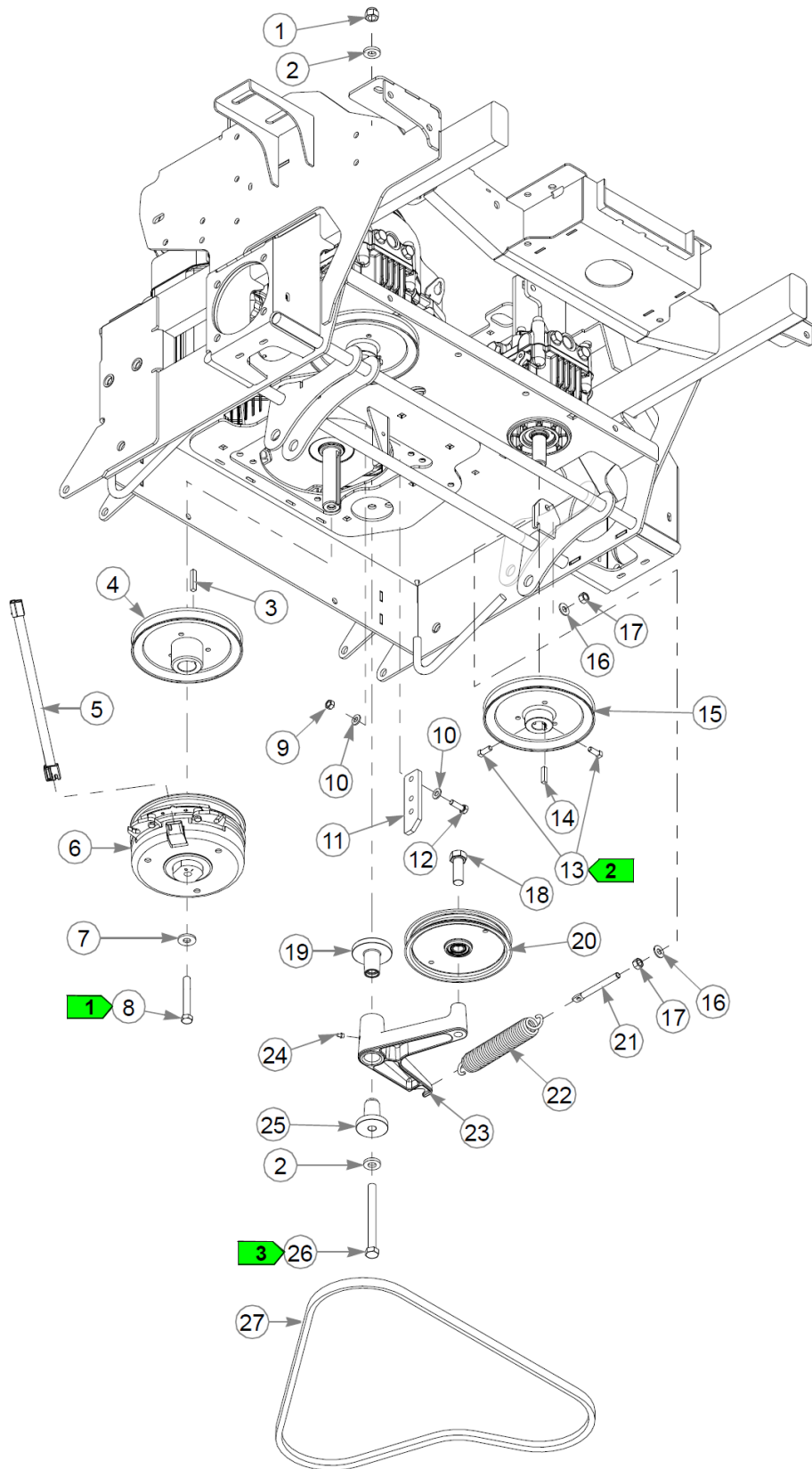


Item	Part No.	Qty	Name
1	791384	1	LATCH, HEAVY DUTY SWELL
2	124302-1	1	AIR SCOOP, OIL COOLER
3	603229	4	CS .250-20X4.500 HX G5
4	603066	1	FAN, 9" 12V
5	124299-1	1	OIL COOLER MOUNT, HD
6	016832	16	NT .312-18FLKG5
7	016253	16	CB .312-18X .750 FUL ZN
8	124300-1	1	OIL COOLER COVER, HD
9	606909	2	DECAL, HYPERDRIVE
10	128386-1	2	BRACKET, COOLER MOUNT
11	603228	2	CS .250-20X4.000 HX G5
12	124301-1	1	MOUNT, UPPER COOLER
13	602709	1	OIL COOLER, HYD 9" FAN
14	602407	1	DECAL, HUSTLER ID
15	033035P	1	WEATHERSTRIP .12X.75 - 2FT
16	055939	1	CS .250-20X0.75 HX G5 ZN
17	768515	1	FW 0.281SAE
18	124389-1	1	BRACKET, SCRNM MNT RR
19	124390-1	1	BRACKET, SCRNM MNT FNT
20	068551	6	NT .250-20 HXZY NL
21	114165	1	SCREEN ASSY SZ COOLER
22	808477	1	RIVET NUT, 1/4-20 THREA
23	036244	4	CS .375-16X1.00 HX G5 ZN
24	767954	4	FW 0.379X.82X.06 HD ZN
25	016899	4	NT .375-16 FLKG5
26	000331	1	WIRE TIE, SMALL/SHORT
27	000430	2	WIRE TIE, SMALL/LONG

Comments for Page: Hydraulic Oil Cooler Mount

Weatherstrip Length

A. 7.75"



Item	Part No.	Qty	Name
1	781567	1	NT .500-13NLG5
2	767962	2	FW .531 x 1.063 x .175
3	212076	1	KEY 1/4 SQ X 1.50 LG(FS)
4	602755	1	PULLEY 7.35 OPx1.125SHFT
5	791251	1	HARNESS, CLUTCH PIGTAIL
<p>Comments for Part Num. 791251</p> <p>Pigtail was updated with epoxy to hold the wires steady. The wire sheath was also updated to a more flexible material.</p>			
6	606936K	1	CLUTCH KIT, CMS250
7	602680	1	FW .453X1.12X.12 HRD ZN
8	785048	1	CS .437-20X3.00 HXG5ZN
9	034272	2	NT .312-18HXG5
10	768523	4	FW 0.343SAE
11	113347	1	CLUTCH ANCHOR
12	036236	2	CS .312-18X1.000HXG5
13	083196	4	SS .312-18X0.750SQ
14	210146	2	KEY 1/4 SQ X 1.12 LONG
15	602754	2	PULLEY 7.35 OPx0.875SHFT
16	767954	2	FW 0.379X.82X.06 HD ZN
17	054502	2	NT .375-16HXG5
18	025007	1	CS .62511X1.750HXG5
19	602880	1	BUSHING, IDLER PIVOT
20	603783	1	PULLEY, 6" FLAT IDLER
21	601486	1	EB, .375-16X3.00 FULTHD
22	601016	1	IDLER SPRING
23	608005	1	TENSIONER CAST
24	015495	1	GREASE FITTING STRAIGHT
25	602879	1	BUSHING, IDLER PIVOT
26	051151	1	CS .500-13X5.000HXG5
27	604208	1	DRIVE BELT
<p>Comments for Part Num. 604208</p> <p>Belt design was a COG belt but has been changed to a smooth V-belt.</p>			

Comments for Page: Pump Drive, Clutch & Drive Belt

Torque to 45–48 ft-lbs. Replace (do not reuse) the cap screw if it is removed or loosened. Use only hand tools to install this fastener.

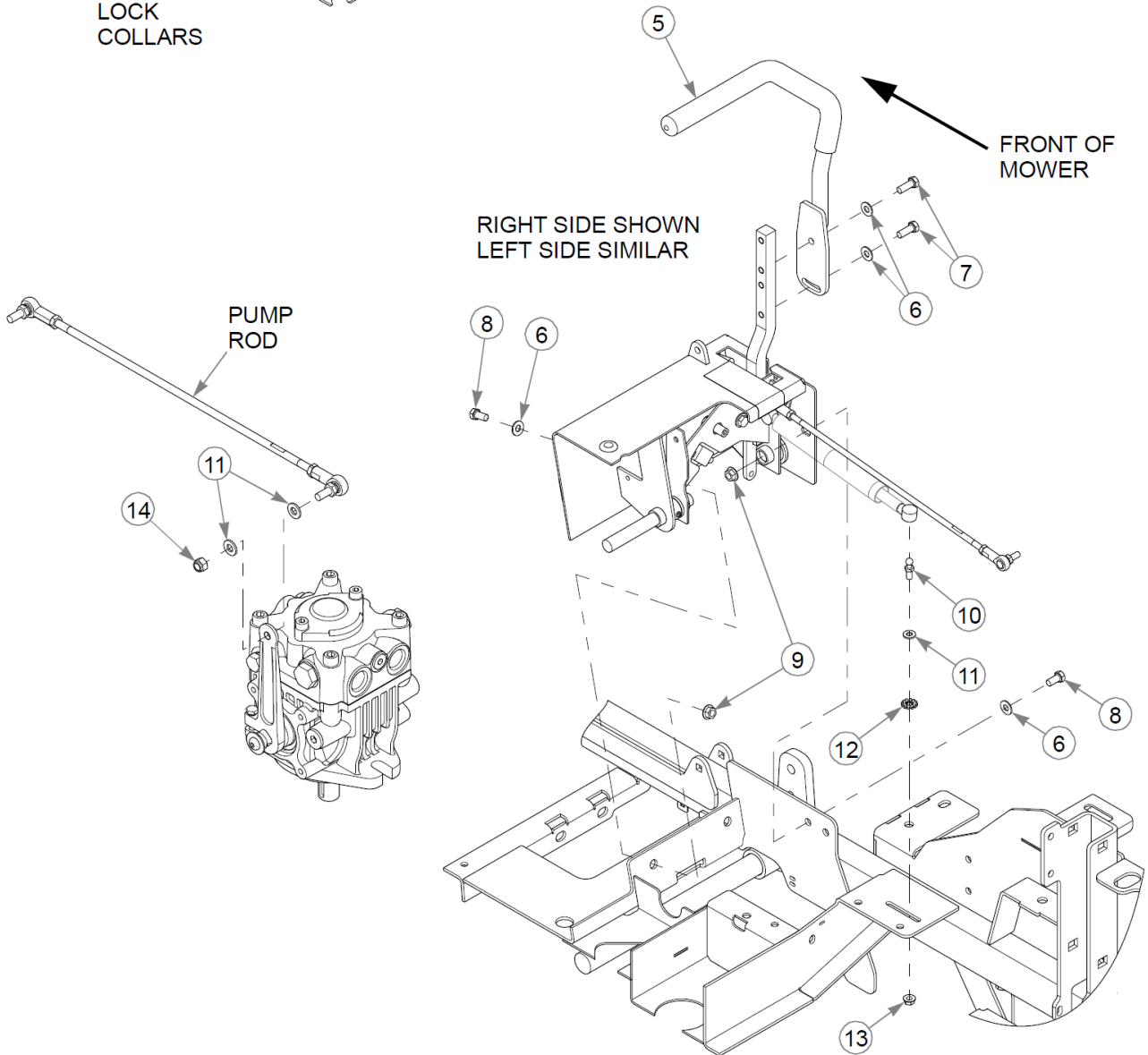
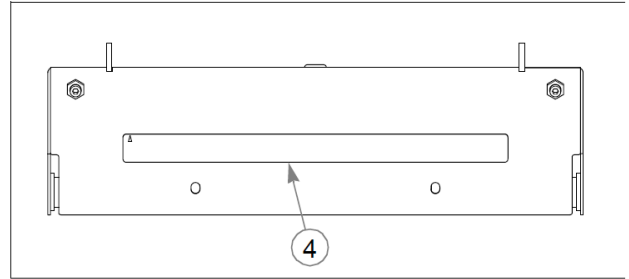
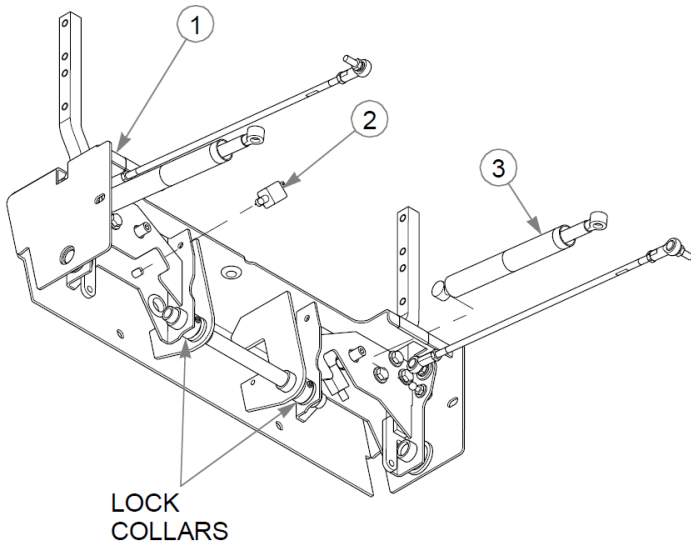
Pump Drive, Clutch & Drive Belt

60" Super Z HD Parts Manual - 942995 -
HTSHDV060KAWFX1000VEFIA

2. Torque to 12–15 ft-lbs.
3. Torque to 71–75 ft-lbs. The tensioner should pivot freely.

This page intentionally left blank

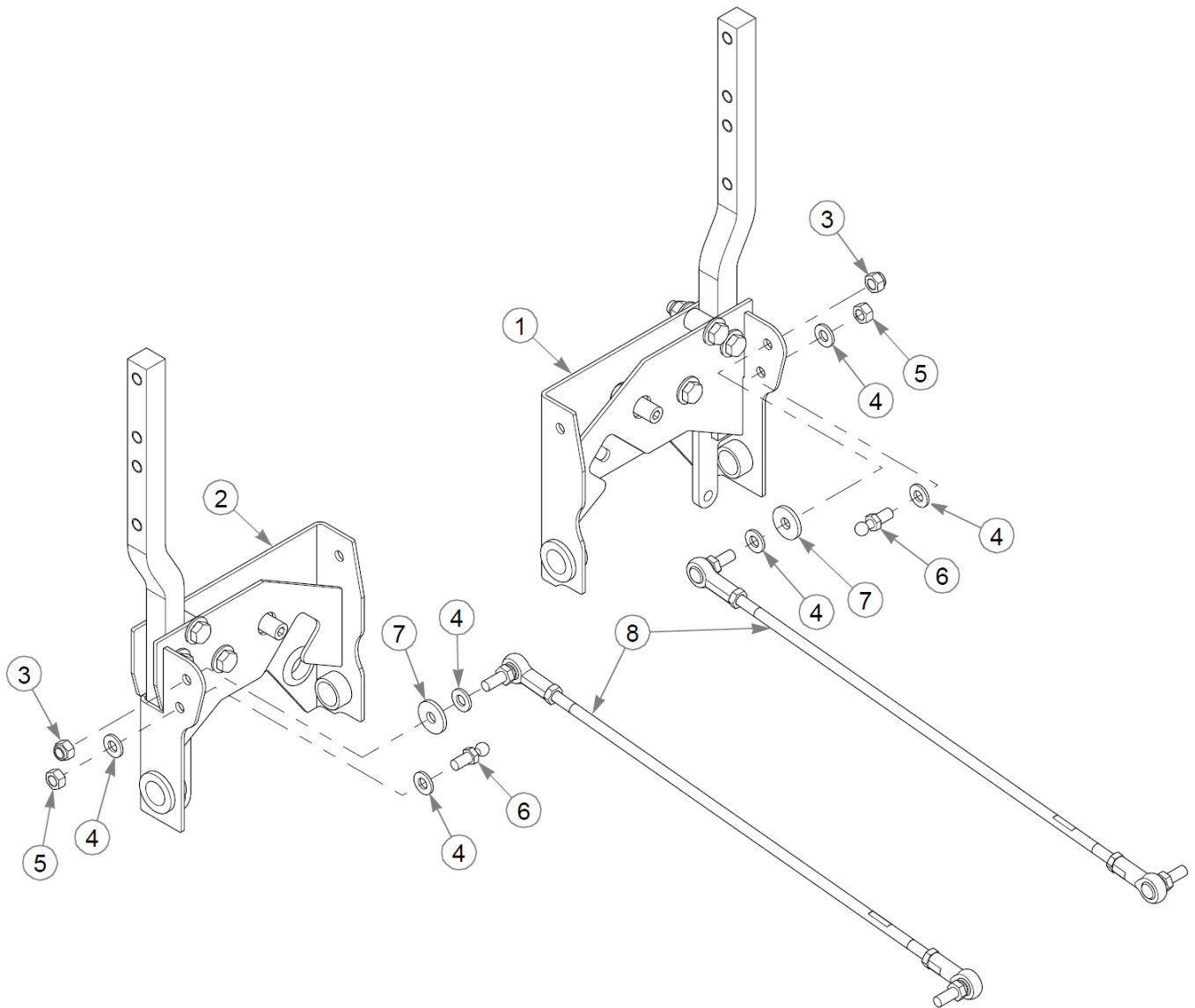
Steering



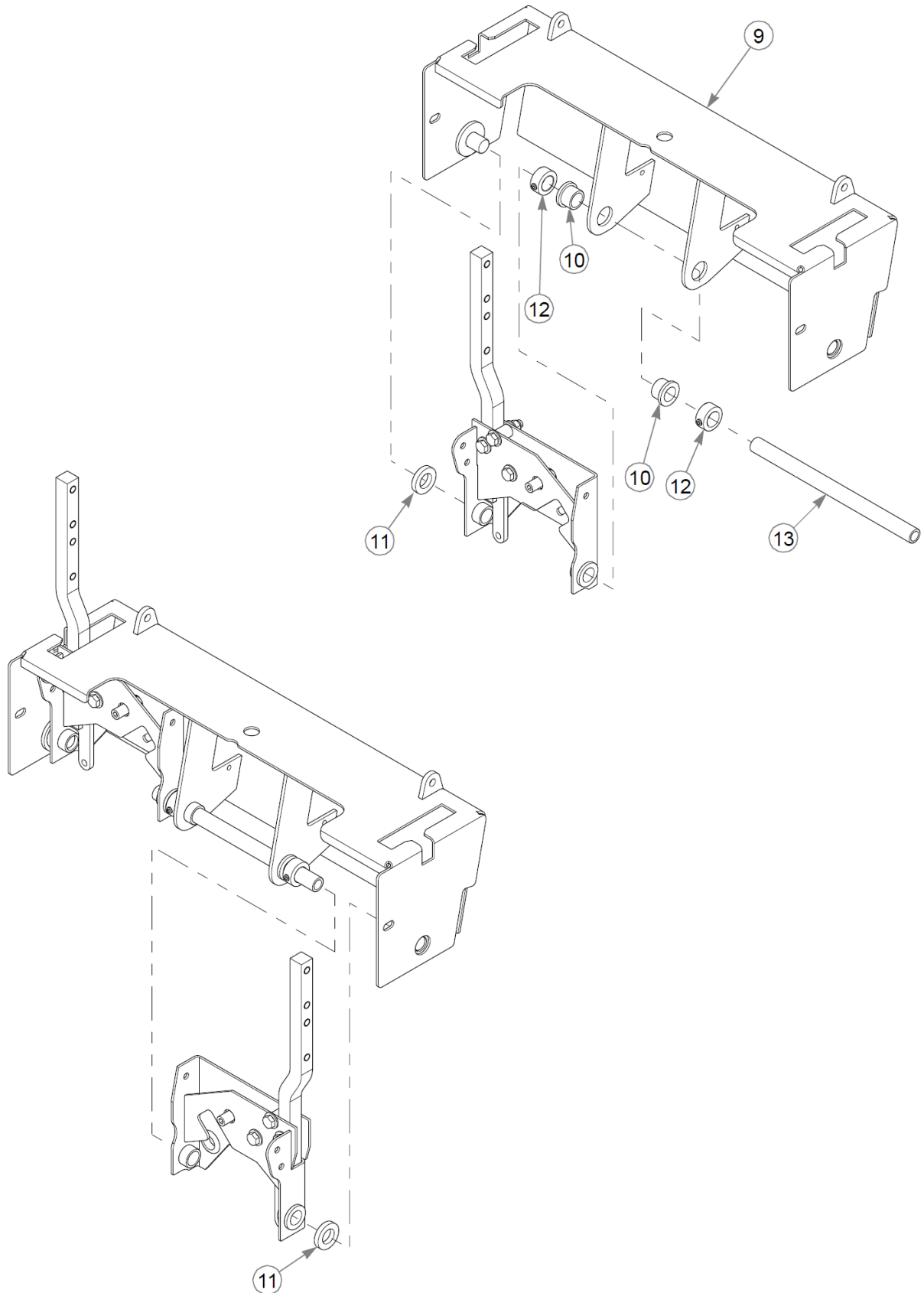
Steering

60" Super Z HD Parts Manual - 942995 -
HTSHDV060KAWFX1000VEFIA

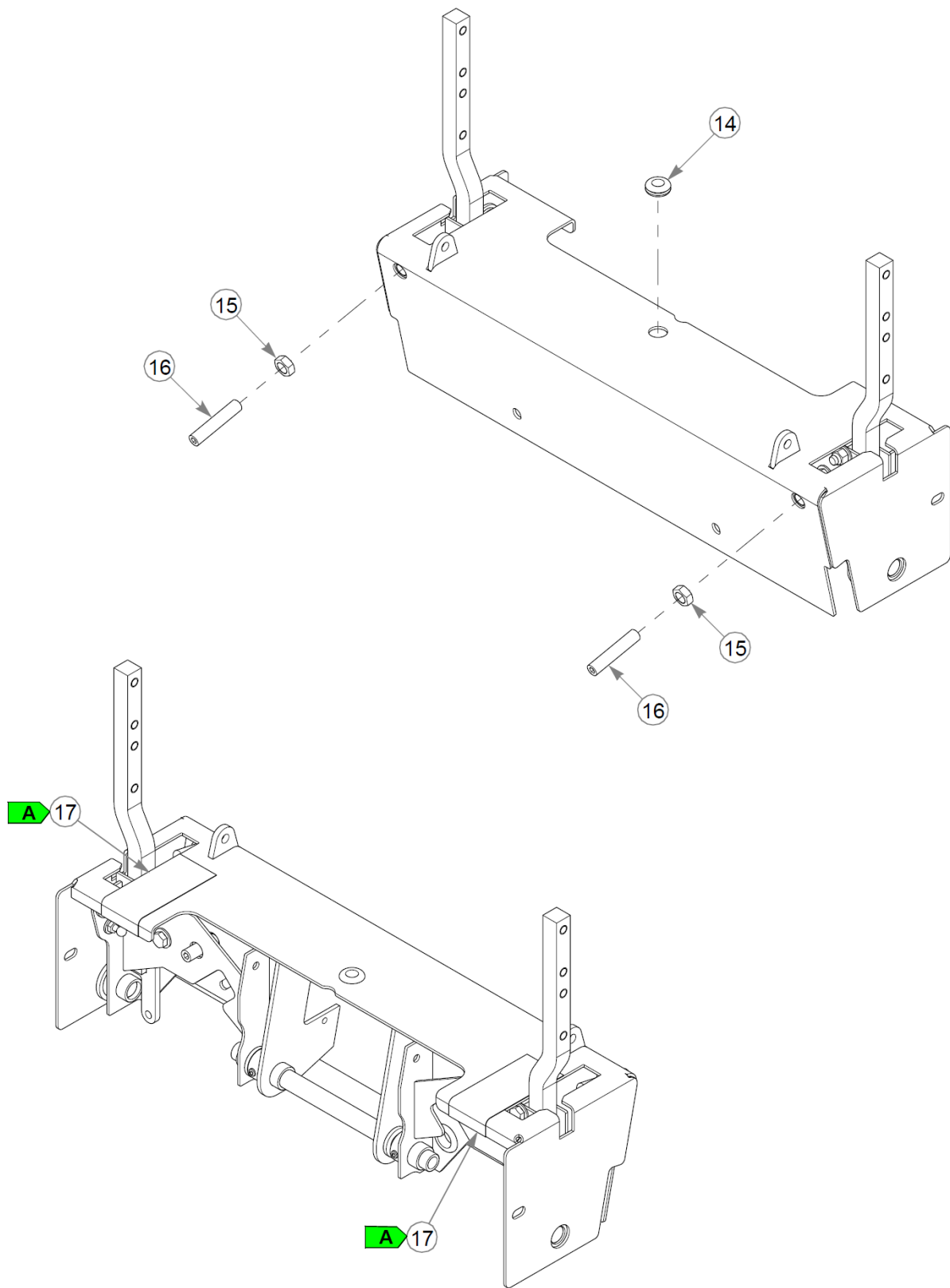
Item	Part No.	Qty	Name
1		1	REFER TO "STEERING COVER ASSEMBLY"
2	601087	2	SWITCH, PLUNGER N.O.
3	603192	2	DAMPER, STEERING
4	608100	1	DECAL, SUPER Z HD
5	608823	2	HANDLE ASSEMBLY
	608832	2	GRIP, STEERING HANDLE
6	767954	8	FW 0.379X.82X.06 HD ZN
7	036244	4	CS .375-16X1.00 HX G5 ZN
8	055822	4	CS .375-16X0.75 HX G5 ZN
9	016899	4	NT .375-16 FLKG5
10	781922	2	BALL STUD
11	768523	6	FW 0.343SAE
12	029876	2	LW .312 INTEXT ZN
13	016832	2	NT .312-18FLKG5
14	023655	2	NT 0.312-24 NL G8



This page intentionally left blank



This page intentionally left blank



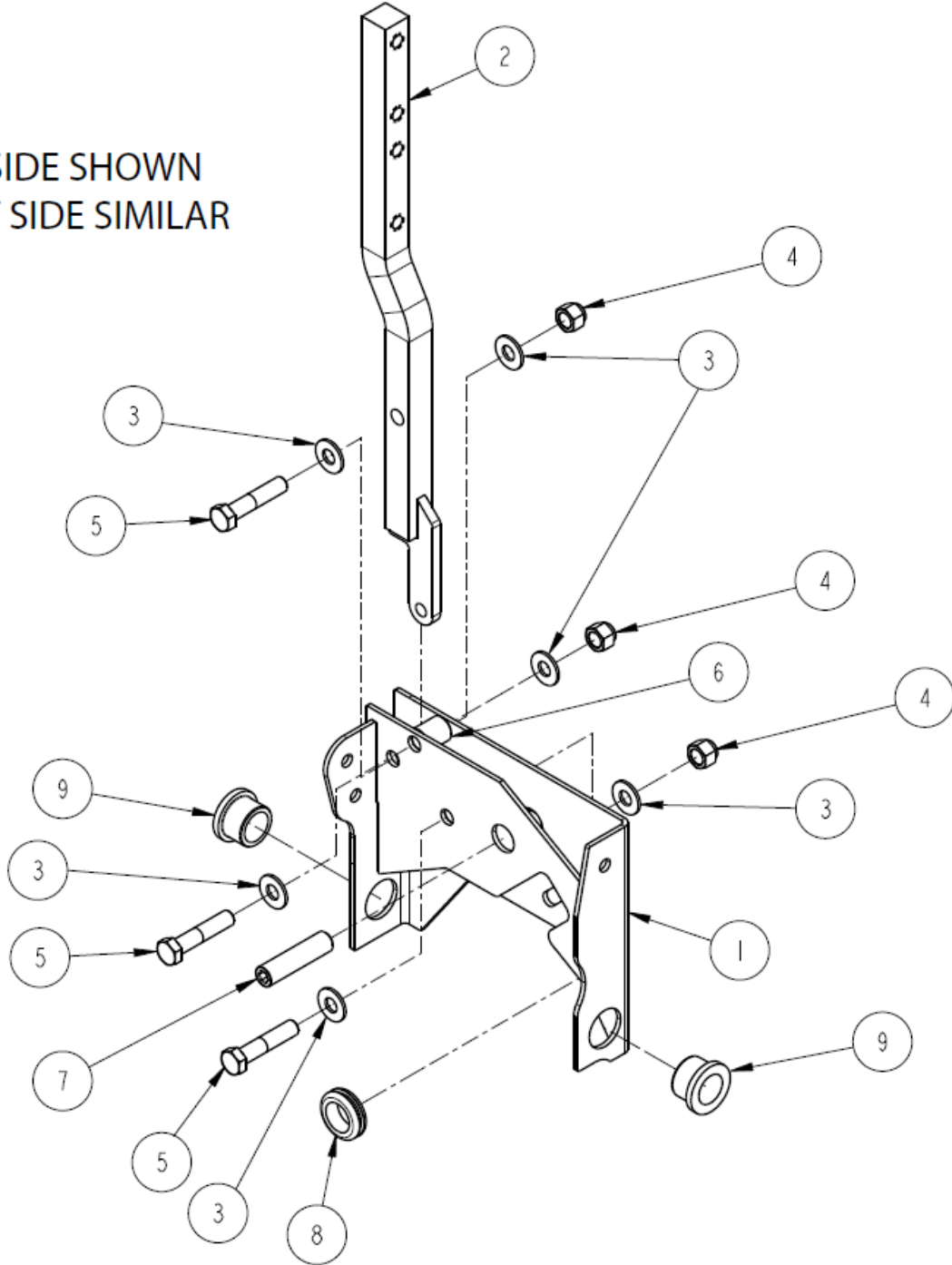
Item	Part No.	Qty	Name
1	608842	1	STEERING BOX, RH
2	608843	1	STEERING BOX, LH
3	023655	2	NT 0.312-24 NL G8
4	768523	6	FW 0.343SAE
5	034272	2	NT .312-18HXG5
6	781922	2	BALL STUD
7	712927	2	FW 0.344X1.00X.12 HD ZN
8	781286	2	PUMP ROD ADJUSTER ASSY
9	556578	1	SVC, STEERING COVER, SZ
10	608000	2	BUSHING
11	778399	2	FW .781X1.38X.25 ZN
12	784439	2	LOCK COLLAR,0.757 ID(FS)
13	113007	1	STEER PIVOT TUBE, SZ
14	080358	1	GM .50X1.00X.75X.12
15	053199	2	NT .500-13JAMG5
16	603055	2	SS .500-13X 2.50 SH ZN
17	722199P	11"	POLYURETHANE 2" FS - 1 FT

Comments for Page: Steering Cover Assembly (Multi-Page)

Wear tape length.

A. 5.5" ± 0.3"

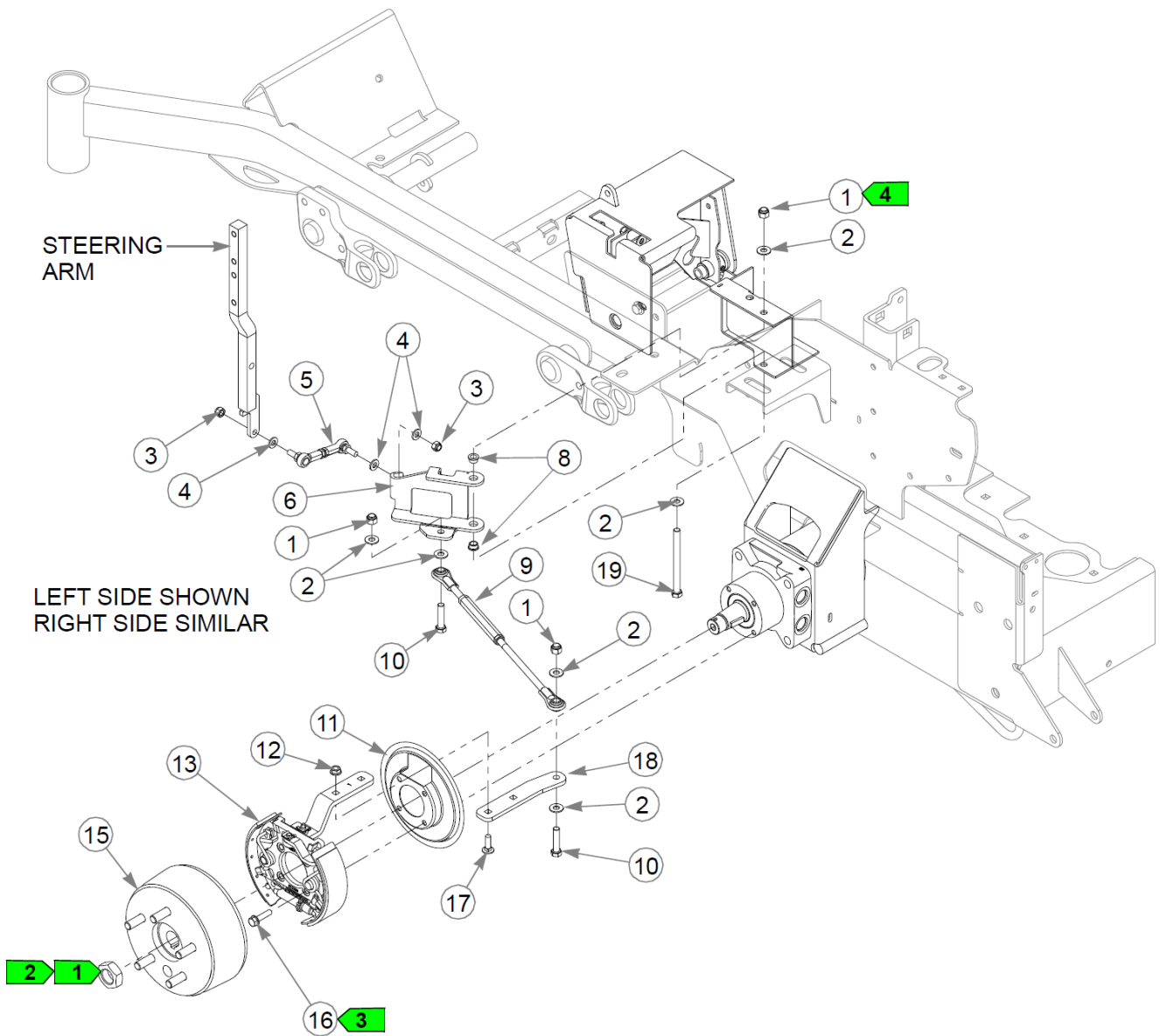
LEFT SIDE SHOWN
RIGHT SIDE SIMILAR



Steering Box Assembly

60" Super Z HD Parts Manual - 942995 -
HTSHDV060KAWFX1000VEFIA

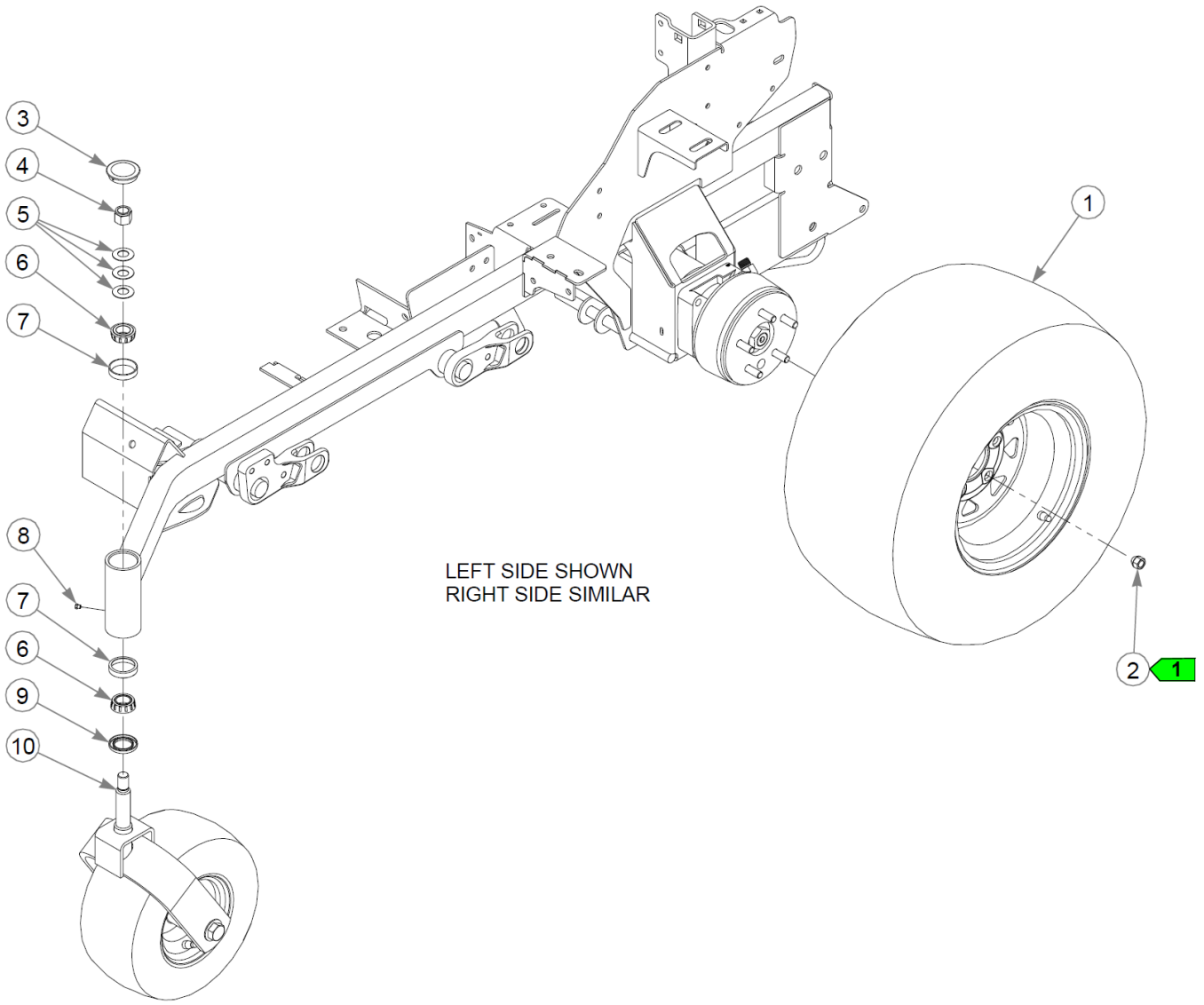
Item	Part No.	Qty	Name
1	112899	1	STEERING BOX W/A LH
	112898	1	STEERING BOX W/A, RH
2	608824-4	1	STEERING ARM
3	767954	6	FW 0.379X.82X.06 HD ZN
4	086660	3	NT .375-16NLG8
5	705178	3	CS .375-16X1.750HXG5
6	348862	2	STEERLEVER BUSHING (PLA
7	797738	1	SS .500-13X2.000SH
8	047456	1	GM .750X.188X1.00X.12
9	608000	2	BUSHING



Item	Part No.	Qty	Name
1	086660	6	NT .375-16NLG8
2	767954	12	FW 0.379X.82X.06 HD ZN
3	023655	4	NT 0.312-24 NL G8
4	768523	6	FW 0.343SAE
5	781583	2	BRAKE ROD ASSEMBLY
6	127877-6	1	BELLCRANK, LH
7	127876-6	1	BELLCRANK, RH
8	765339	4	BUSHING,IGUS#0608 (FS)
9	350397	2	BRAKE LINK TURNBUCKLE A
10	705160	4	CS .375-16X1.625HXG5
11	607896	2	DUST SHIELD
12	016832	4	NT .312-18FLKG5
13	607894	1	BRAKE ASSY, LH
14	607895	1	BRAKE ASSY, RH
15	607893	2	DRUM HUB ASSEMBLY
16	607328	8	CS .312-18X1.25HXG8 FL
17	037887	4	CB .312-18X 1.000 FUL ZN
18	126349-3	2	EXTENSION, BRAKE ARM
19	052514	2	CS .375-16X4.500HXG5

Comments for Page: Brake

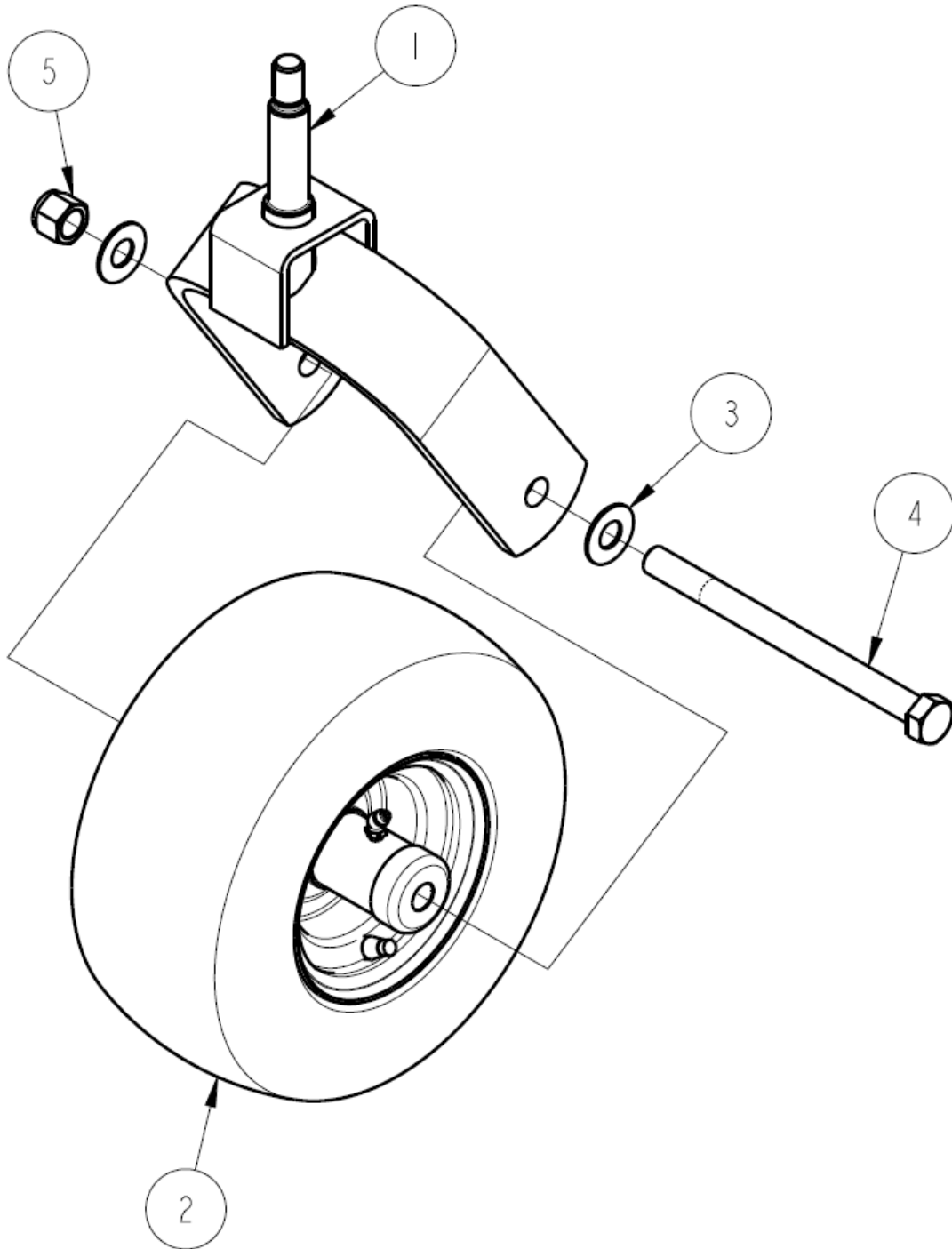
1. Included with the wheel motor.
2. Torque to 300 ft-lbs.
3. Torque to 20-25 ft-lbs. Replace (do not reuse) the cap screw if it is removed or loosened. Use only hand tools to install this fastener.
4. Do not torque; the nut should be snug, but allow the brake bellcrank to pivot freely.



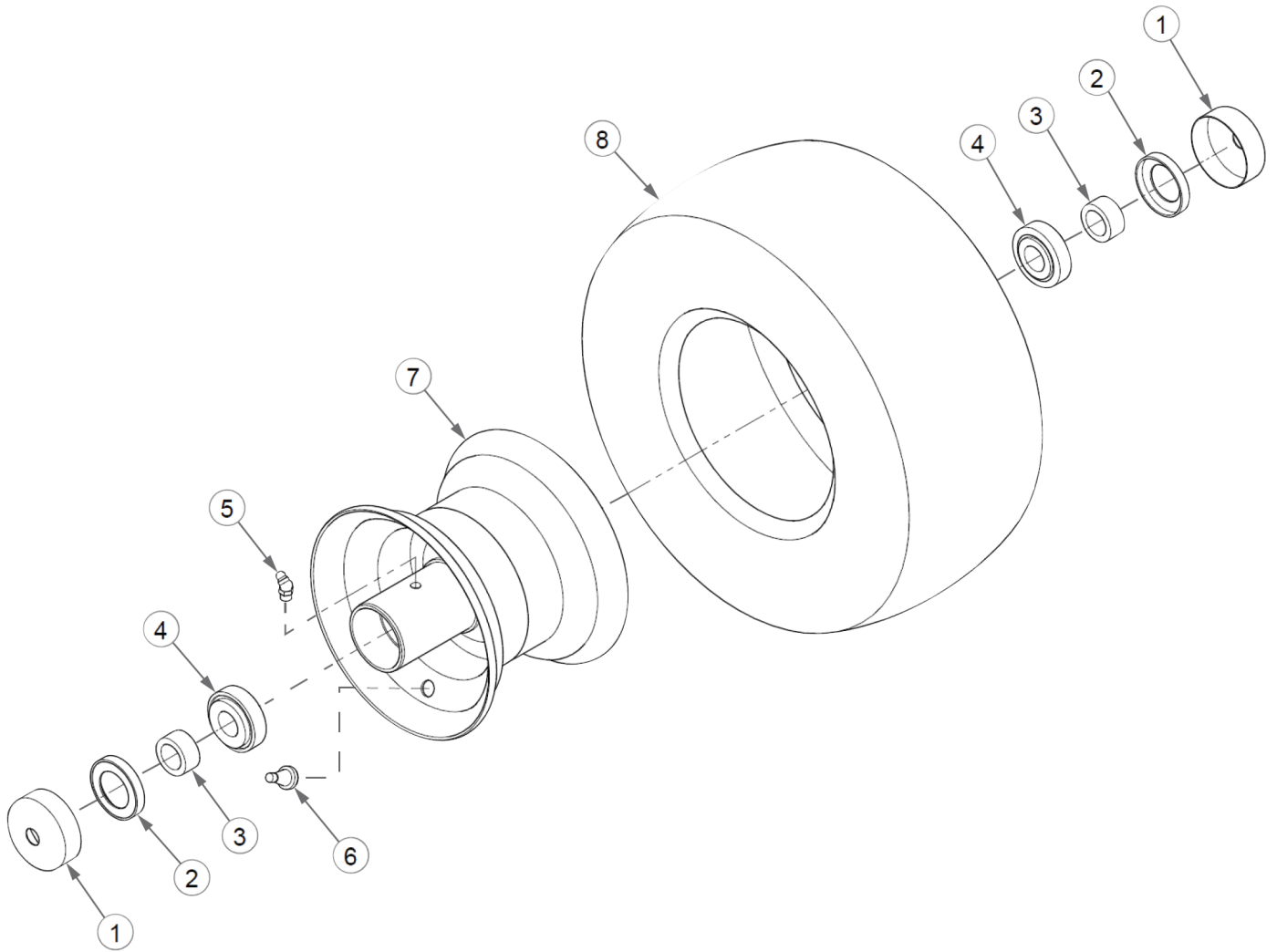
Item	Part No.	Qty	Name
1	608766	2	TIR/WHL 26X14.00-12 BLK
2	061077	10	WHEEL NUT
3	608751	2	DUST CAP, BLACK
4	061101	2	NT .750-10 HX ZN NL GR B
5	606715	6	CW 0.766 X 1.50 X .093
6	606712	4	BEARING, TAPERED ROLLER
7	606713	4	RACE, TAPERED ROLLER
8	606817	2	GREASE PLUG
9	606714	2	SEAL, 1.25 X 1.98
10		2	REFER TO "FRONT WHEEL ASSEMBLY"

Comments for Page: Wheels & Tires

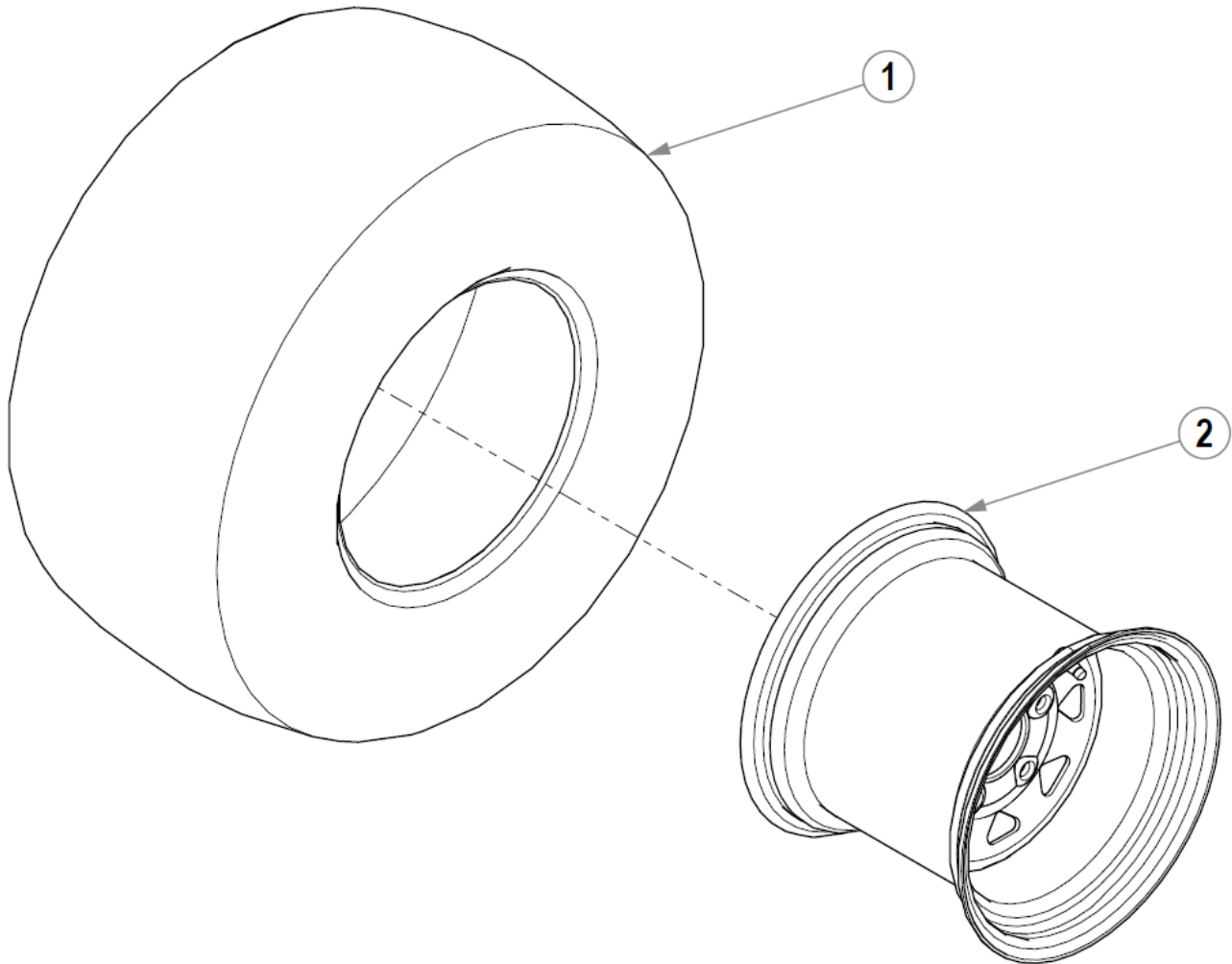
1. Torque to 65–75 ft-lbs.



Item	Part No.	Qty	Name
1	123644-6	1	S/C TO 130055
	130055	1	KIT - FORK ASM
2	606745	1	TIR/WHL 13X6.50-6 BLK
3	025296	2	FW .760X1.63X0.08 ZN
4	041475	1	CS .750-10X9.50 HX G5 ZN
5	061101	1	NT .750-10 HX ZN NL GR B



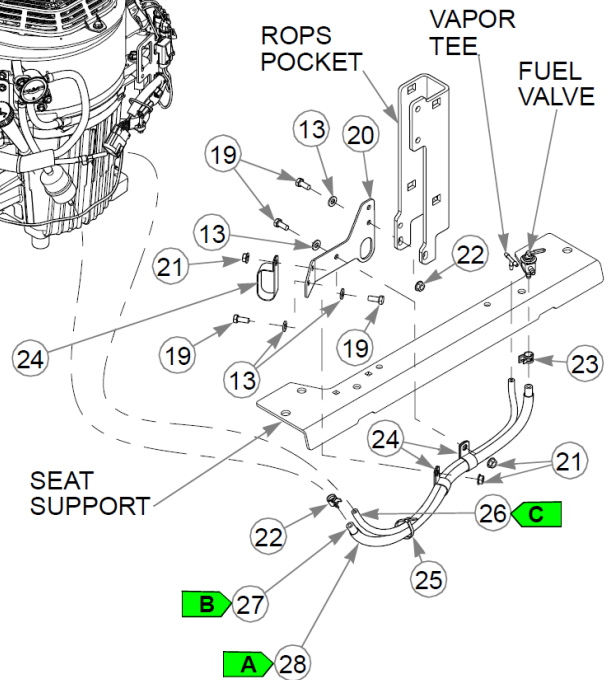
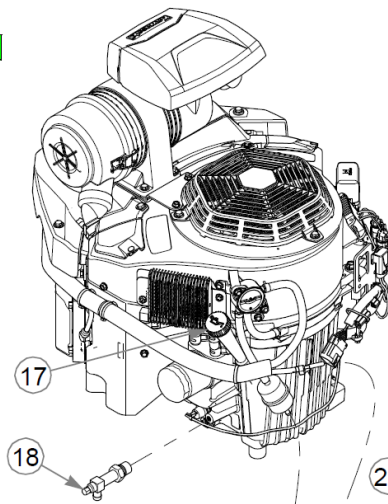
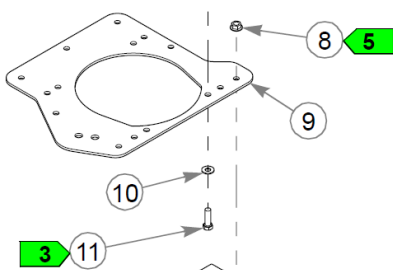
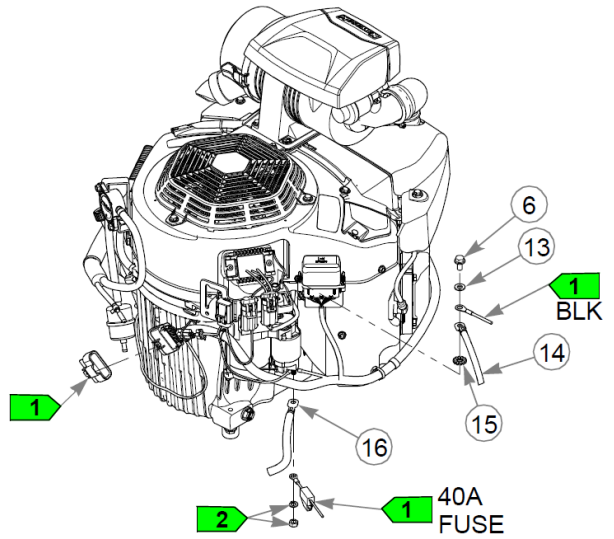
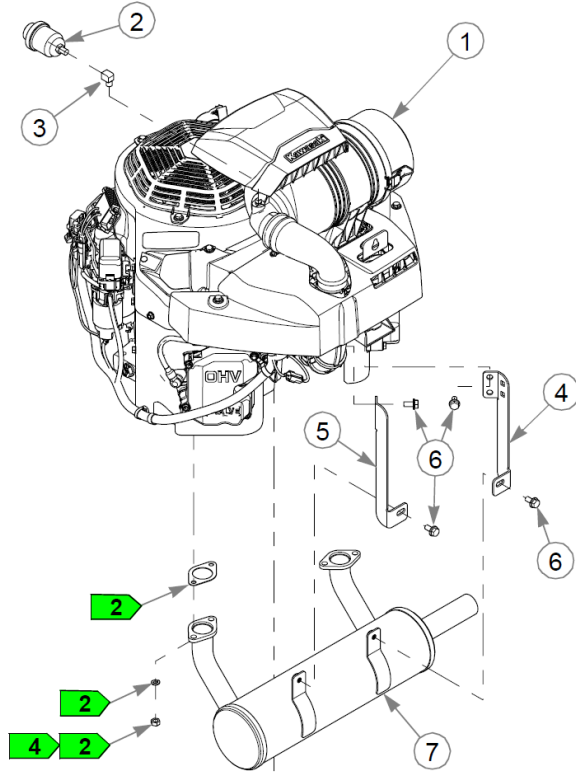
Item	Part No.	Qty	Name
	606745		TIR/WHL 13X6.50-6 BLK
1	606815	2	DUST CAP, 0.752 ID
2	606780	2	SEAL
3	606778	2	SPACER, 0.531
4	606753	2	BEARING, TAPERED ROLLER
5	606126	1	GREASE FITTING, M8X1.0
6	019521	1	TIRE VALVE TR-412 GOODY
7	606752	1	WHL 6X4.50 BLK
8	604843	1	TIR 13X6.50-6 B4R SMTH



Drive Wheel Breakdown

60" Super Z HD Parts Manual - 942995 -
HTSHDV060KAWFX1000VEFIA

Item	Part No.	Qty	Name
1	608767	1	TIRE, 26x14.00-12
2	608768	1	WHL, 12x10.5, 5x4.5, BLK



Item	Part No.	Qty	Name
1		1	ENGINE, FX1000V EFI
2	788943	1	AIR FILTER INDICATOR
3	601216	1	FTG, ELBOW, STREET
4	122504-6	1	BRACKET, MUFFLER RT
5	122505-6	1	BRACKET, MUFFLER LFT
6	720516	7	CS M8-1.25X16HX FL10.9
7	606040	1	MUFFLER, FX1000V
8	016899	7	NT .375-16 FLKG5
9	128400-4	1	SUPPORT - ENGINE
10	767954	4	FW 0.379X.82X.06 HD ZN
11	602580	4	CS .375-16X1.25HXG8FTZN
12	025395	7	CB .375-16X 1.00 G5 ZN
13	768523	6	FW 0.343SAE
14	606440	1	BATTERY CABLE, NEGATIVE
15	029876	1	LW .312 INTEXT ZN
16	606439	1	BATTERY CABLE, POSITIVE
17	601129	0.5	10W30 OIL (GALLONS)
18	796524	1	VALVE,OIL DRAIN M20x2.5
19	034280	5	CS .312-18X0.750HXG5
20	128855-6	1	SUPPORT - FUEL LINE
21	016832	5	NT .312-18FLKG5
22	045088	1	HOSE CLAMP 1" (FS)
23	000323	2	CLIP, HOSE CLAMP
24	043570	3	CLIP - HOSE - SINGLE(FS)
25	000331	3	WIRE TIE, SMALL/SHORT
26	603326P	1	VAPOR LINE, 3/16" - 7 FT
27	015818P	1	FUEL LINE, 1/4" - 6 FT
28	605215P	1	THERMAL SHIELD - 6 FT

Comments for Page: Engine & Muffler

1. Part of the wire harness.
2. Supplied with the engine.
3. Torque to 44 ft-lbs. Replace (do not reuse) the cap screw if it is removed or loosened. Use only hand tools to install this fastener.
4. Torque to 17 ft-lbs.
5. Torque to 30 ft-lbs.

Engine & Muffler

60" Super Z HD Parts Manual - 942995 -
HTSHDV060KAWFX1000VEFIA

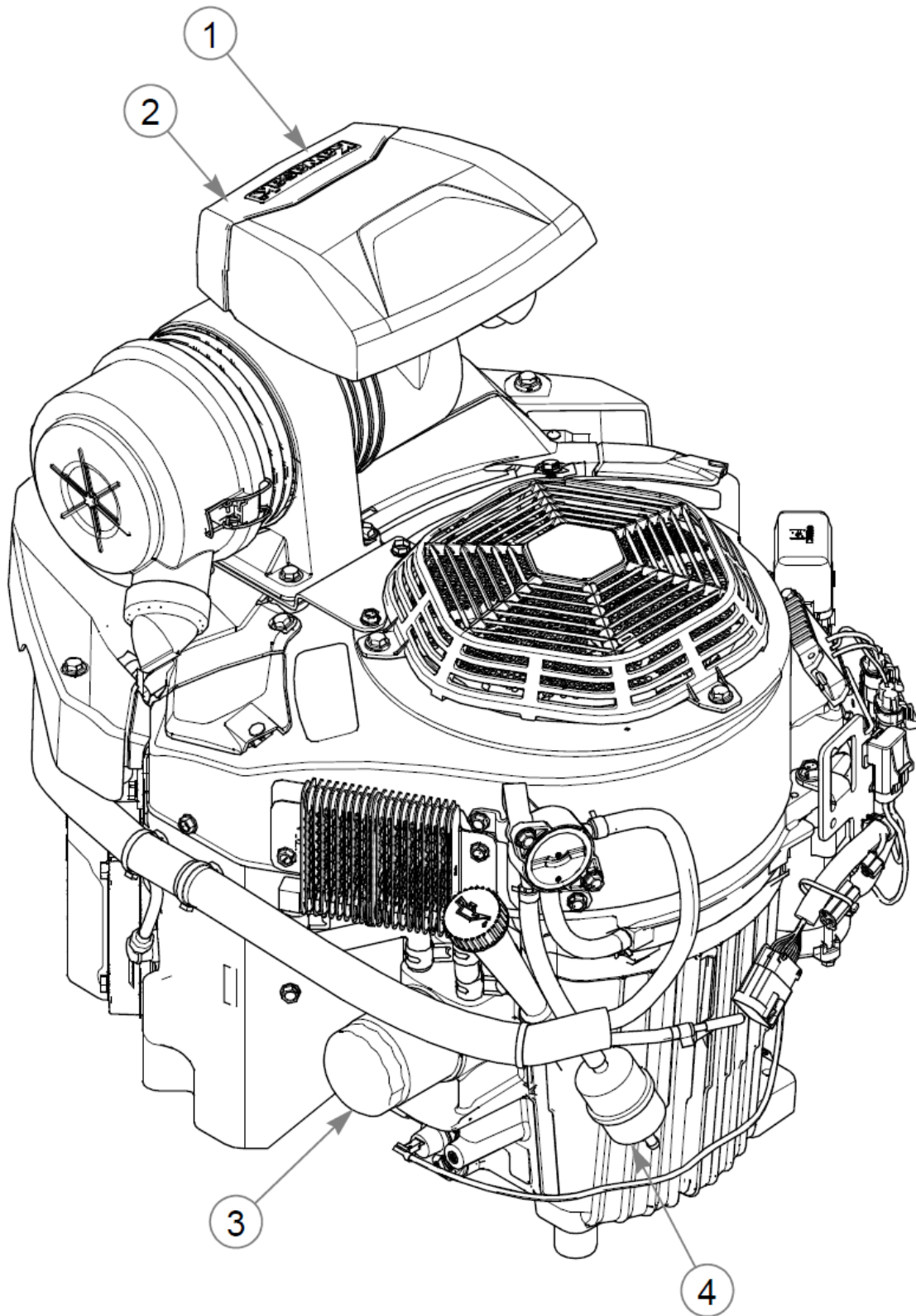
FUEL & VAPOR LINE LENGTHS

A. 22" FUEL LINE THERMAL SHIELD

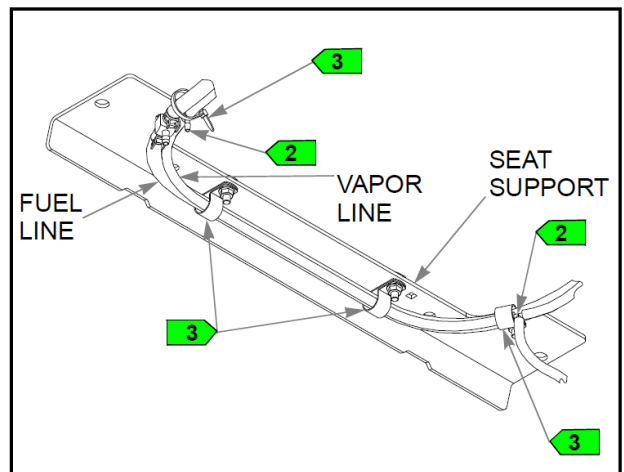
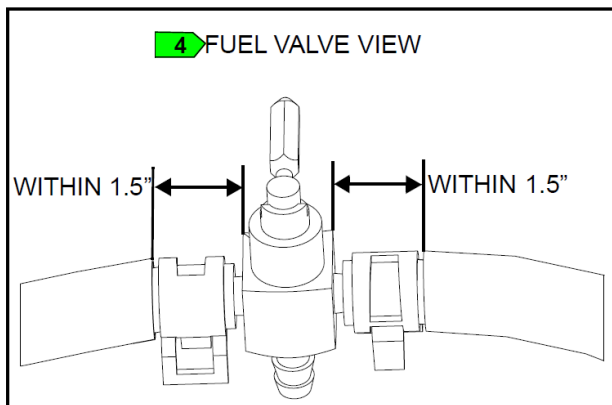
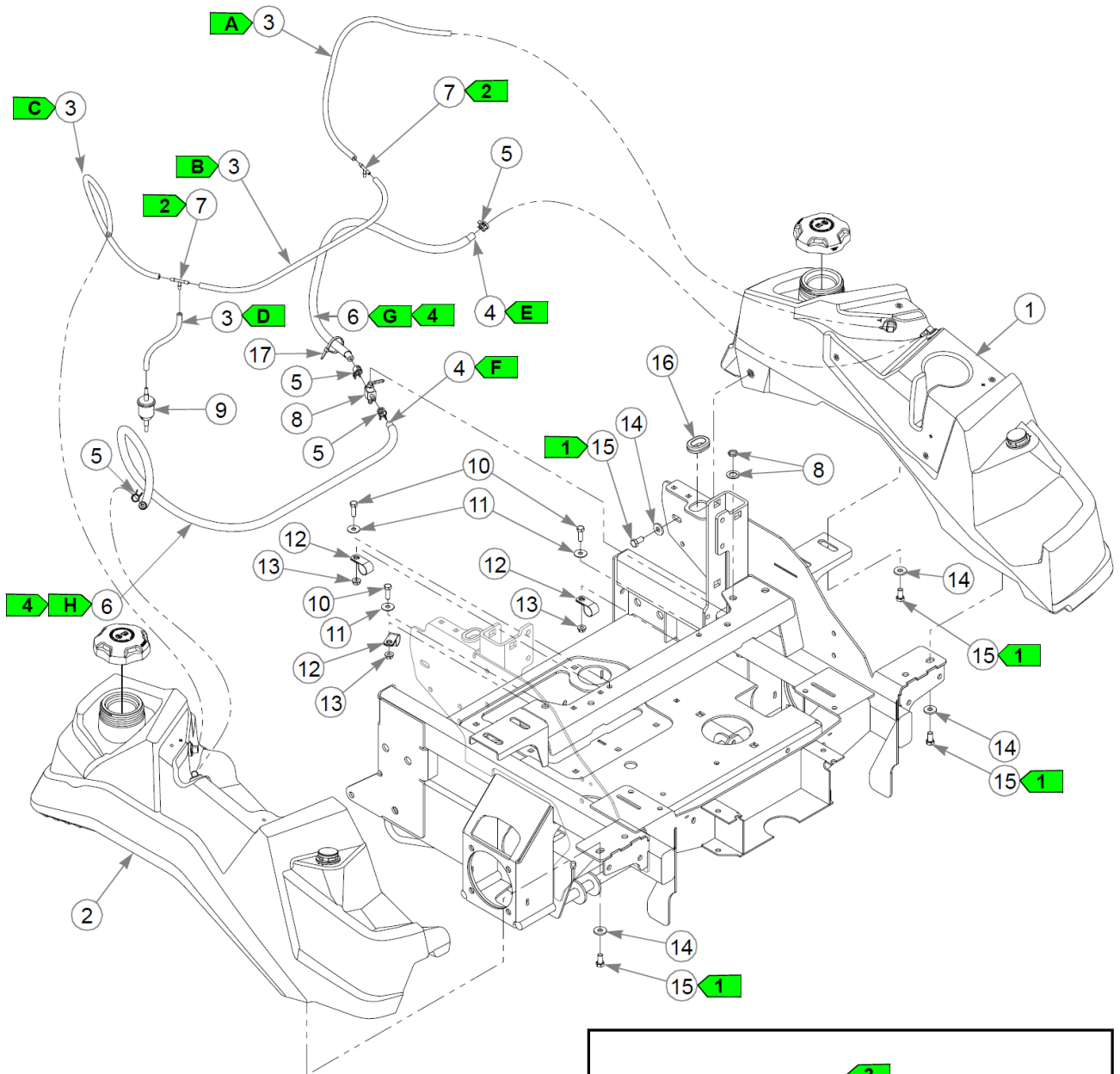
B. 23" VALVE TO ENGINE (FUEL)

C. 24" TEE TO ENGINE (VAPOR)

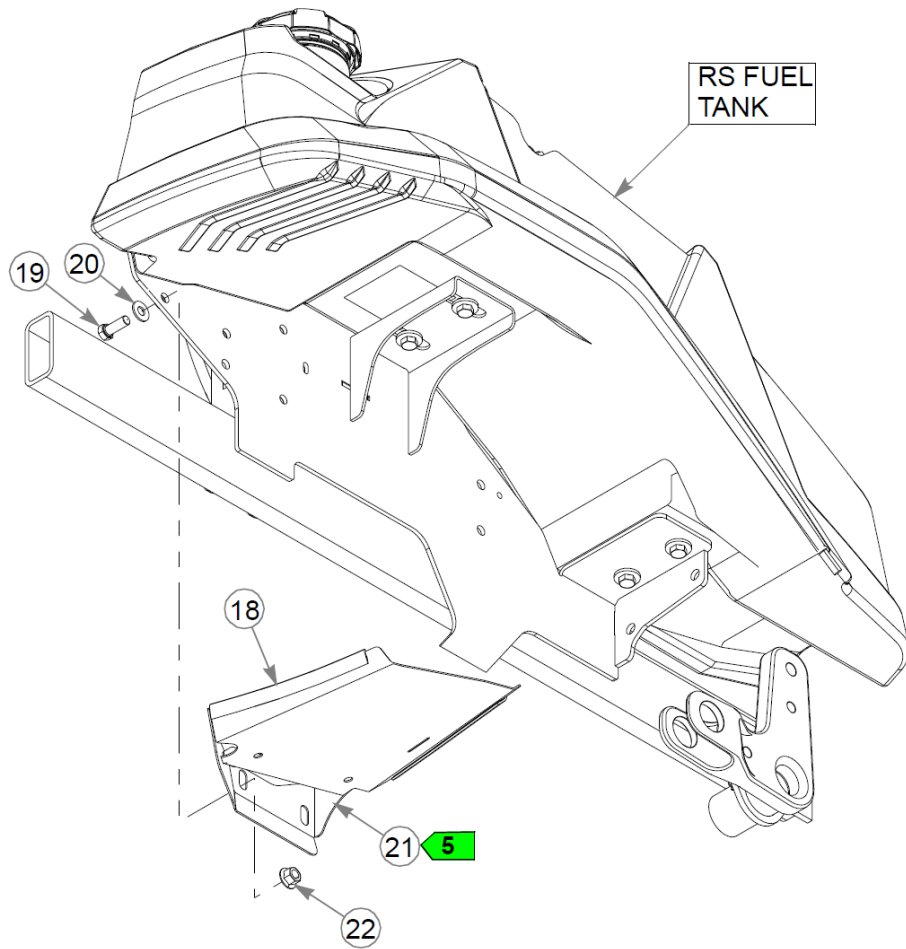
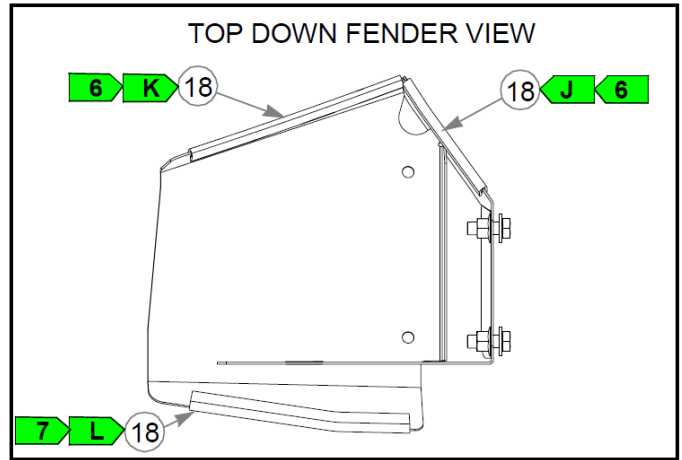
This page intentionally left blank



Item	Part No.	Qty	Name
1	785261	1	AIR FILTER - MAIN
2	785279	1	AIR FILTER - SAFETY
3	603138	1	ENGINE OIL FILTER
4	604558	1	FILTER, KAWASAKI FUEL



This page intentionally left blank



Item	Part No.	Qty	Name
1	608681	1	FUEL TANK ASSY, LEFT
2	608682	1	FUEL TANK ASSY, RIGHT
3	603326P	1	VAPOR LINE, 3/16" - 7 FT
4	015818P	1	FUEL LINE, 1/4" - 6 FT
5	000323	4	CLIP, HOSE CLAMP
6	605215P	1	THERMAL SHIELD - 6 FT
7	604281	2	TEE, 3/16" PLASTIC
8	745059	1	FUEL VALVE 3-WAY
9	604323	1	VAPOR SYSTEM FILTER
10	036236	3	CS .312-18X1.000HXG5
11	079210	3	FW 0.344X1.0X0.06 ZN
12	043570	3	CLIP - HOSE - SINGLE(FS)
13	016832	3	NT .312-18FLKG5
14	712919	10	FW 0.406X1.00X.12 HD ZN
15	055822	10	CS .375-16X0.75 HX G5 ZN
16	706531	2	GM 1.12X1.75X1.37X.12
17	000331	1	WIRE TIE, SMALL/SHORT
18	033001P	1	FLEX TRIM UNI-GRIP - 3 FT
19	036244	2	CS .375-16X1.00 HX G5 ZN
20	767954	2	FW 0.379X.82X.06 HD ZN
21	128980-6	1	FENDER WA
22	604515	2	NT .375-16 FL NY GF

Comments for Page: Fuel System (Multi-Page)

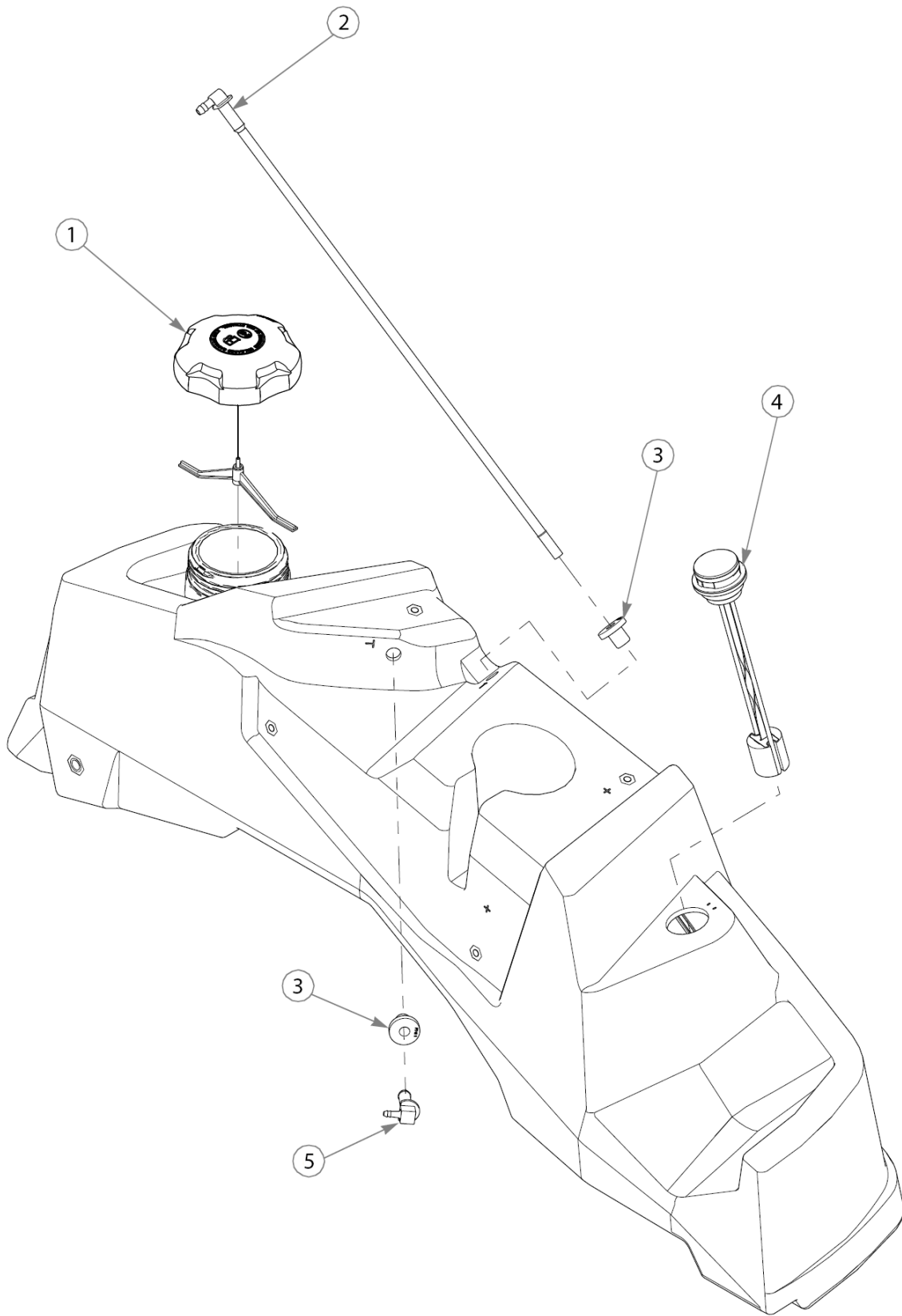
1. Torque to 16 ft-lbs.

FUEL, VAPOR, AND TRIM LENGTHS

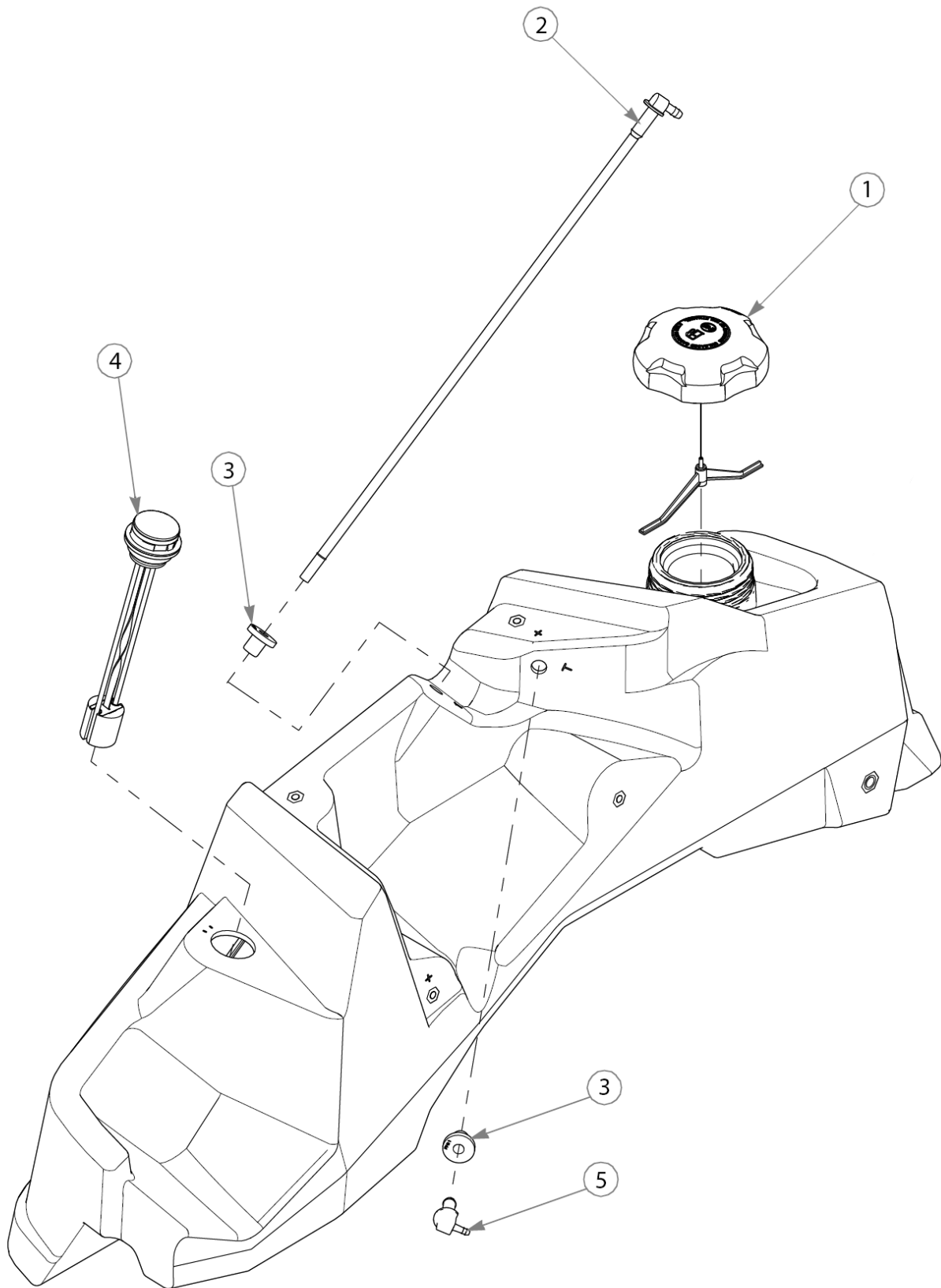
- A. 22" LEFT TANK TO TEE (VAPOR)
- B. 22" TEE TO TEE (VAPOR)
- C. 22" RIGHT TANK TO TEE (VAPOR)
- D. 8" TEE TO FILTER (VAPOR)
- E. 25" LEFT TANK TO VALVE (FUEL)
- F. 48" RIGHT TANK TO VALVE (FUEL)
- G. 15" FUEL LINE THERMAL SHIELD
- H. 38" FUEL LINE THERMAL SHIELD
- I. 4" FLEXIBLE TRIM
- J. 6.5" FLEXIBLE TRIM

K. 6.5" FLEXIBLE TRIM

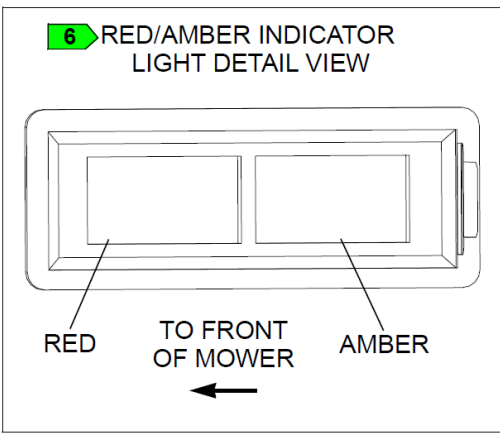
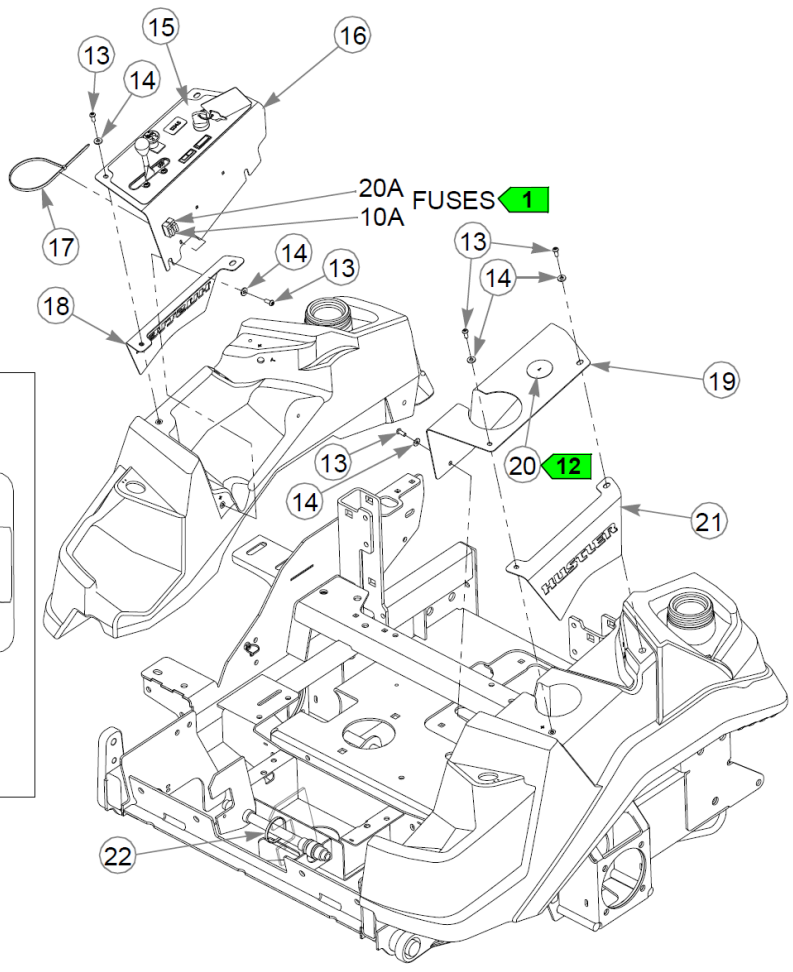
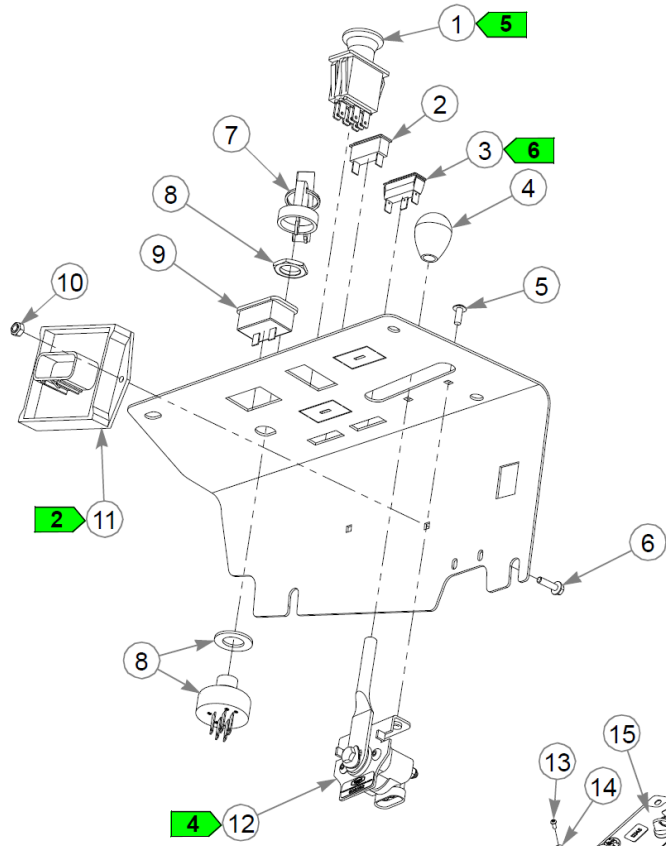
This page intentionally left blank



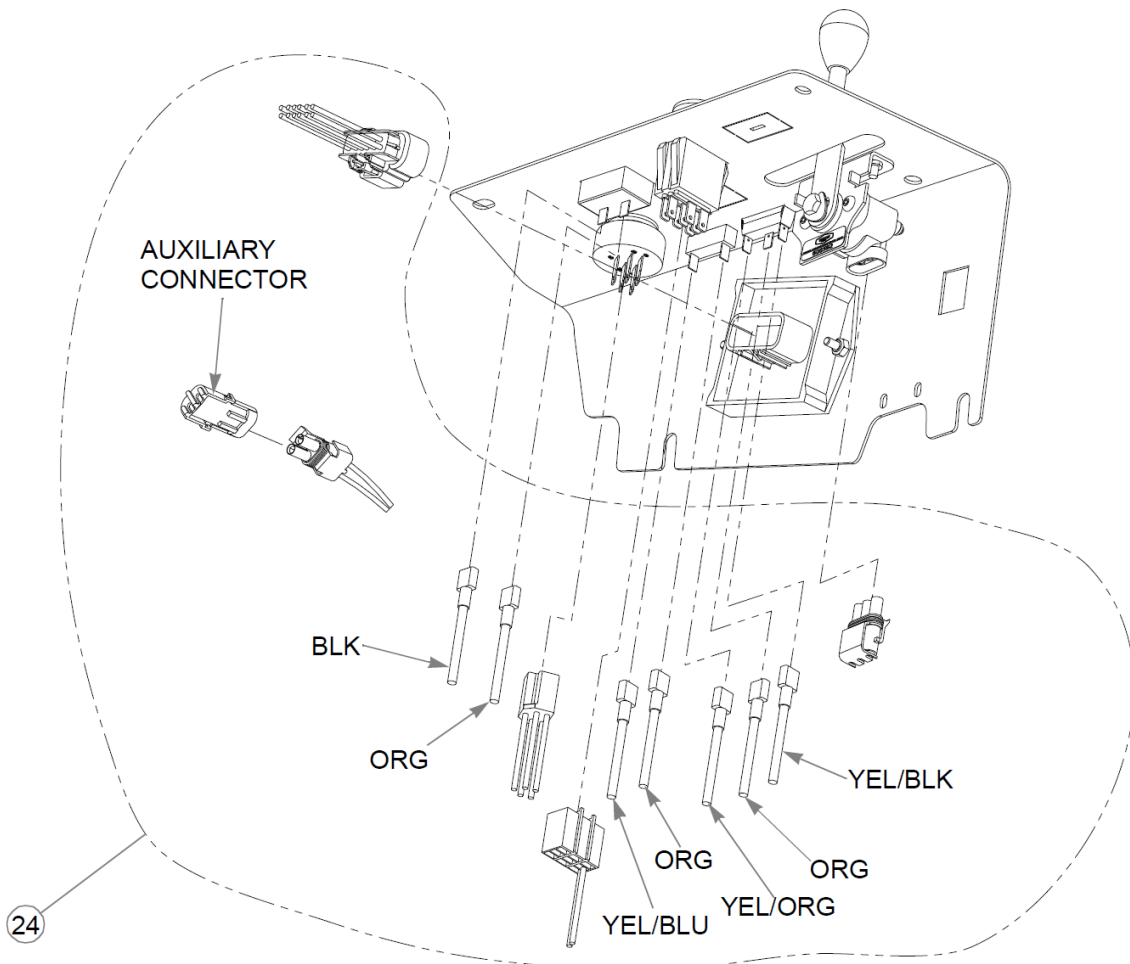
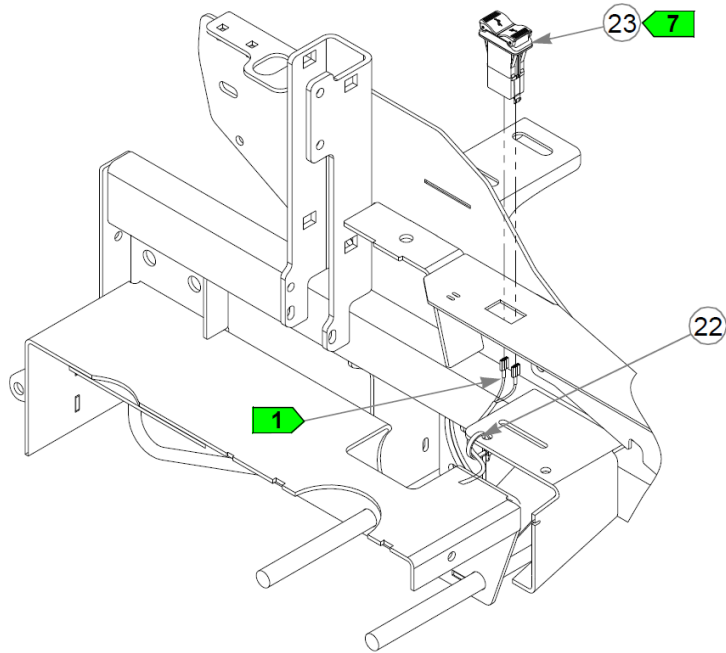
Item	Part No.	Qty	Name
	608681		FUEL TANK ASSY, LEFT
1	608995	1	CAP - RATCHET 350
2	607149K	1	SUCTION HOSE SVC KIT
3	604200K	2	GROMMET SVC KIT
4	608497K	1	SVC KIT, FUEL GAUGE
5	604287K	1	VENT FITTING SVC KIT



Item	Part No.	Qty	Name
	608682		FUEL TANK ASSY, RIGHT
1	608995	1	CAP - RATCHET 350
2	607149K	1	SUCTION HOSE SVC KIT
3	604200K	2	GROMMET SVC KIT
4	608497K	1	SVC KIT, FUEL GAUGE
5	604287K	1	VENT FITTING SVC KIT



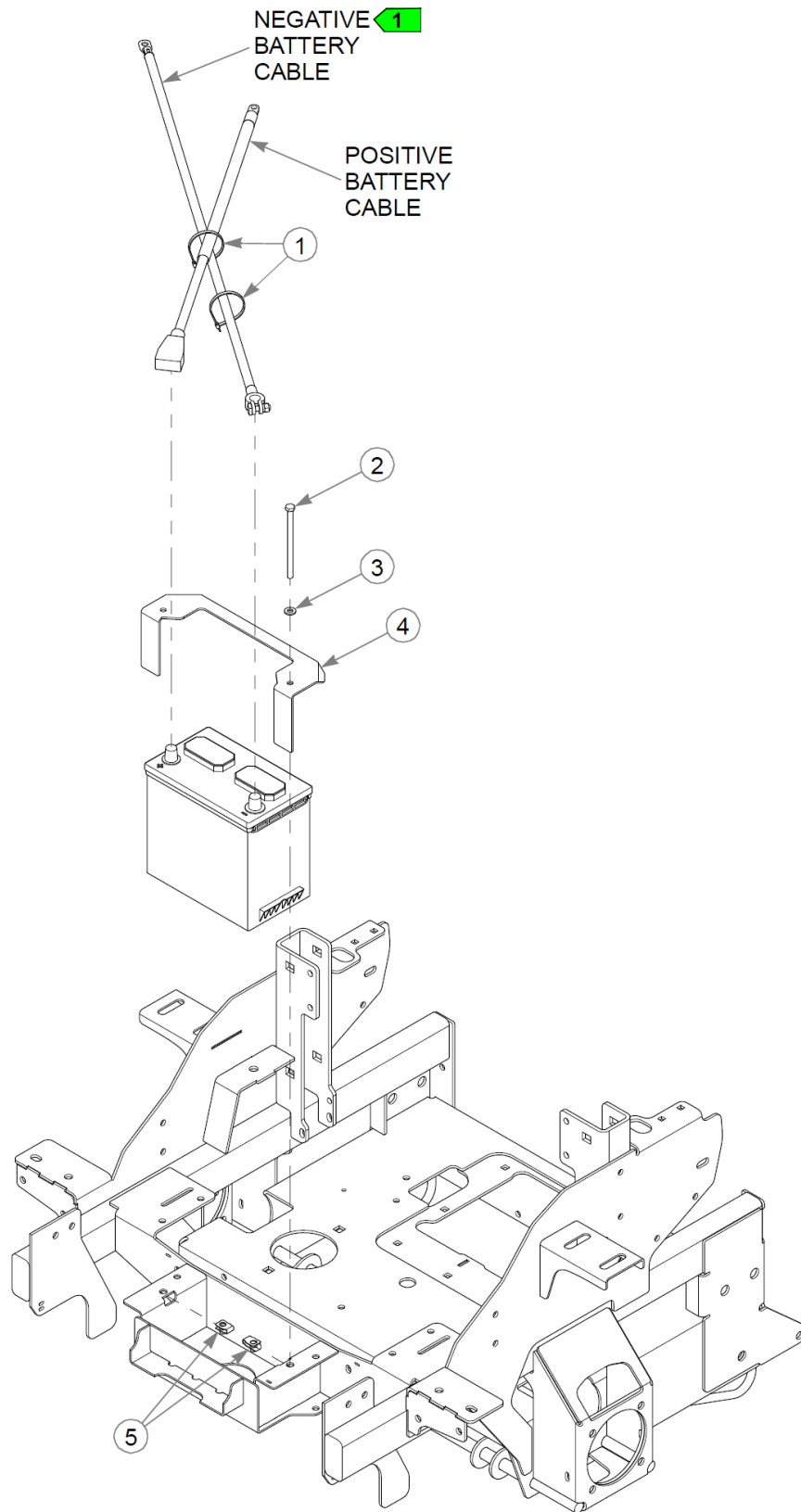
This page intentionally left blank



Item	Part No.	Qty	Name
1	776476	1	SWITCH, PTO 6201-321
2	712257	1	INDICATOR LIGHT, RED(FS)
3	608393	1	LIGHT, RED/AMBER
4	603523	1	KNOB
5	606851	2	CS 10-24X .500 PH SH ZN
6	063198	2	CS #10-24X0.750FLKG5
7	785808	1	KEY ASSEMBLY
8	045898	1	IGNITION SWITCH
9	769166	1	HOUR METER
10	059832	2	NT #10-24 HX NL ZN
11	604373	1	RELAY CONTROL MODULE
12	606592	1	THROTTLE CONTROL, EFI
13	608598	8	CS .250-20 X .625 BH TX
14	605628	8	FW 0.281X.63X.07 ZB
15	608602	1	DECAL, INSTR PANEL
16	128382-1	1	INSTRUMENT PANEL
17	000430	1	WIRE TIE, SMALL/LONG
18	128427-1	1	PANEL, LOGO - RH
19	128425-1	1	COVER, CUP HOLDER
20	608127	1	DECAL, USA, F&D
21	128426-1	1	PANEL, LOGO - LH
22	000331	2	WIRE TIE, SMALL/SHORT
23	608492	1	USB PORT DUAL CHARGE
24	608609	1	WIRE HARNESS, SZ
25		1	DECAL, CLUTCH HANG TAG

Comments for Page: Instrument Panel & Wire Harness

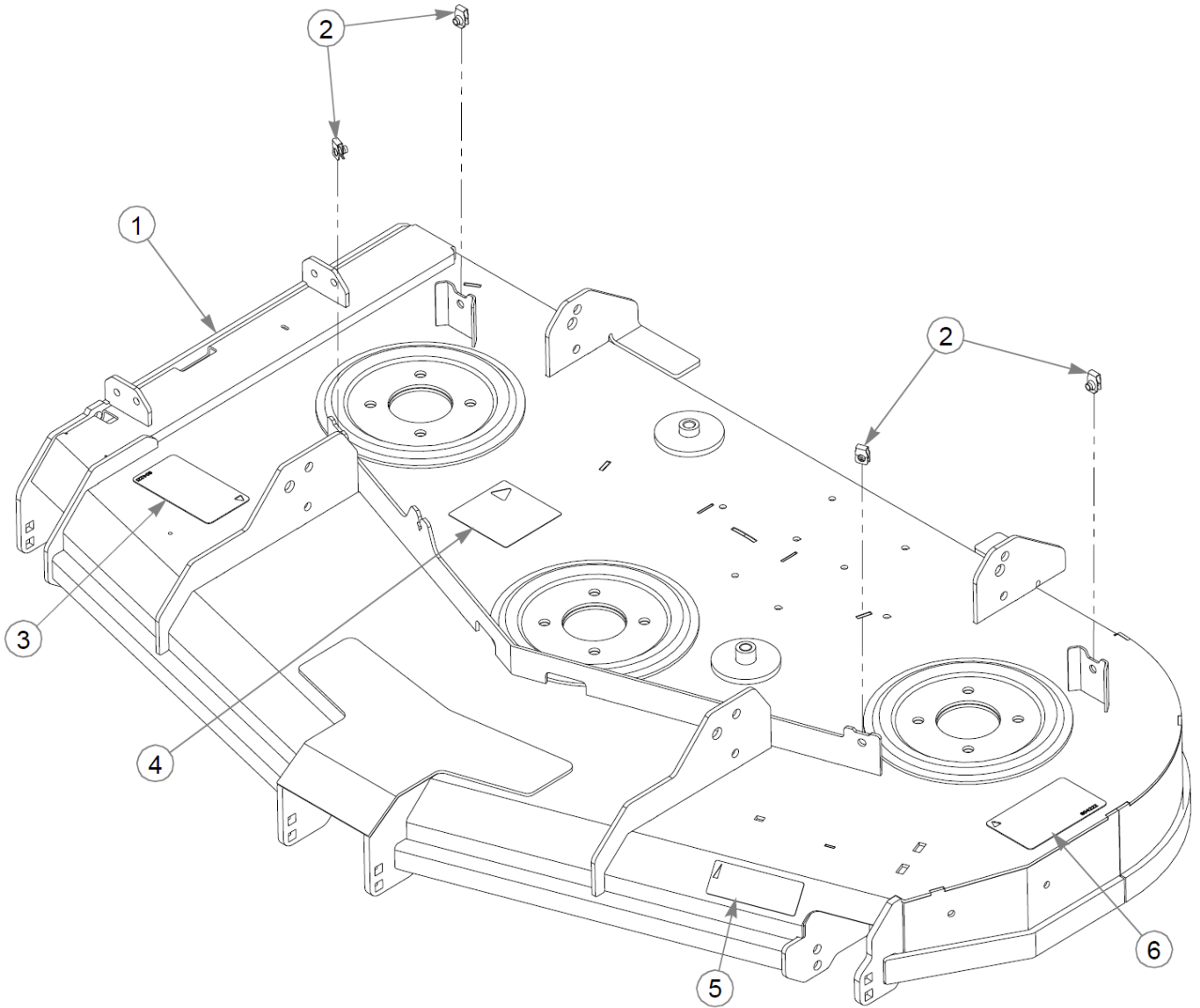
1. Part of the wire harness.
2. Orient the module so that the connector locking tabs face down, as shown.
4. Use thread locking compound, 703926, on the shaft threads when assembling the knob to the throttle cable lever shaft.
5. Tie the clutch hang tag decal to the clutch switch knob during assembly.
6. Orient the red/amber indicator light according to the detail view.
7. Connect the orange wire to the positive terminal.
12. Place the USA Decal on the left cup holder cover.



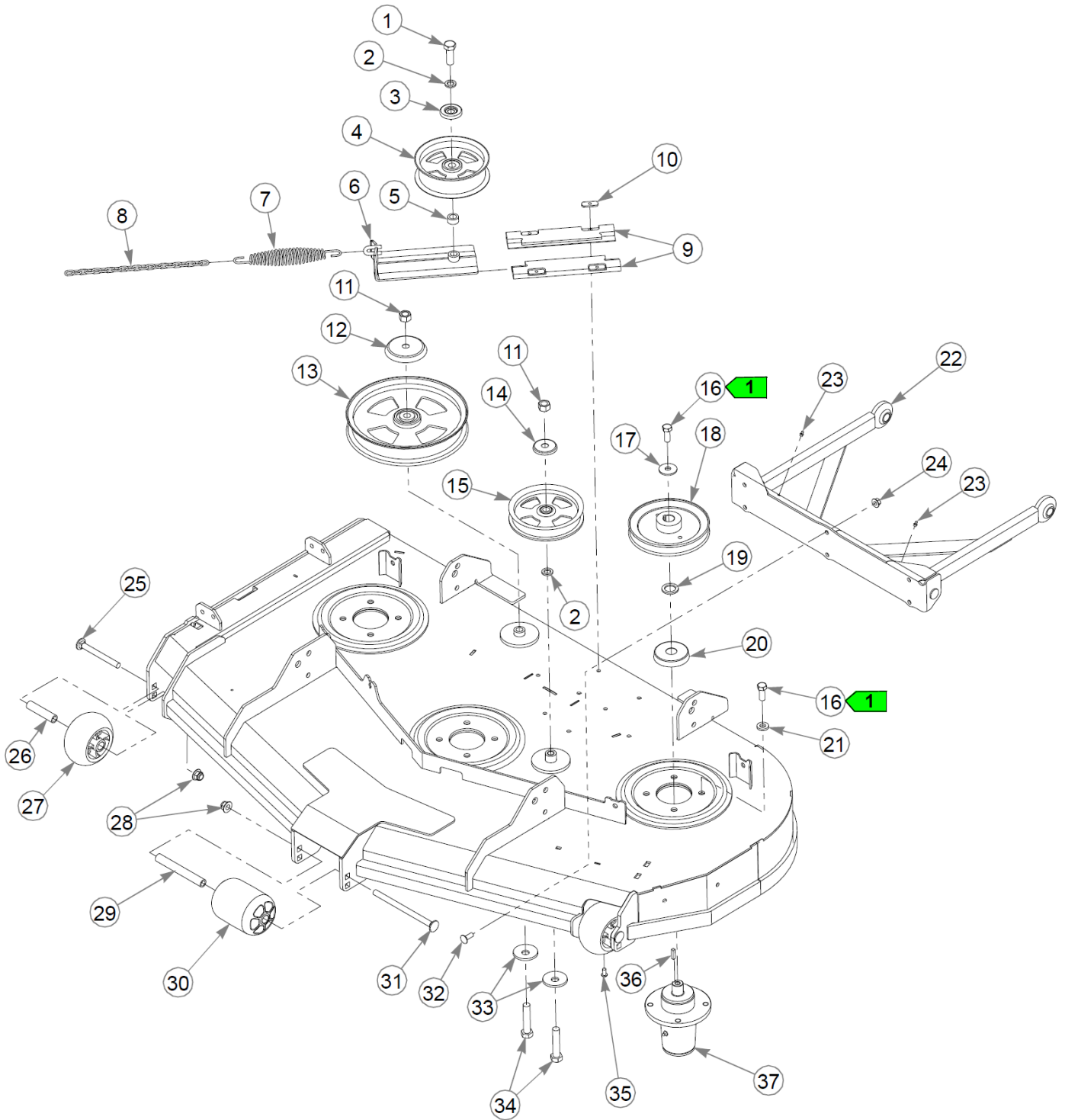
Item	Part No.	Qty	Name
1	000331	32	WIRE TIE, SMALL/SHORT
2	050823	2	CS .312-18X5.000HXG5
3	768523	2	FW 0.343SAE
4	124387-6	1	BATTERY STRAP
5	601069	2	CN .312-18x.200 MAX THK

Comments for Page: Battery

1. When performing service on the mower, disconnect the negative battery cable (black) and do not reconnect it to the battery until ready to start the engine.



Item	Part No.	Qty	Name
1	556615	1	SVC, DECK DECAL 60" VX4
2	601069	4	CN .312-18x.200 MAX THK
3	604221	1	DECAL, DANGER / CHUTE
4	781419	1	DECAL, BELT ROUTING
5	603092	1	DECAL, VX4 TECHNOLOGY
6	604222	1	DECAL, DANGER / OBJECTS



Deck Pulleys & Spindles

60" Super Z HD Parts Manual - 942995 -
HTSHDV060KAWFX1000VEFIA

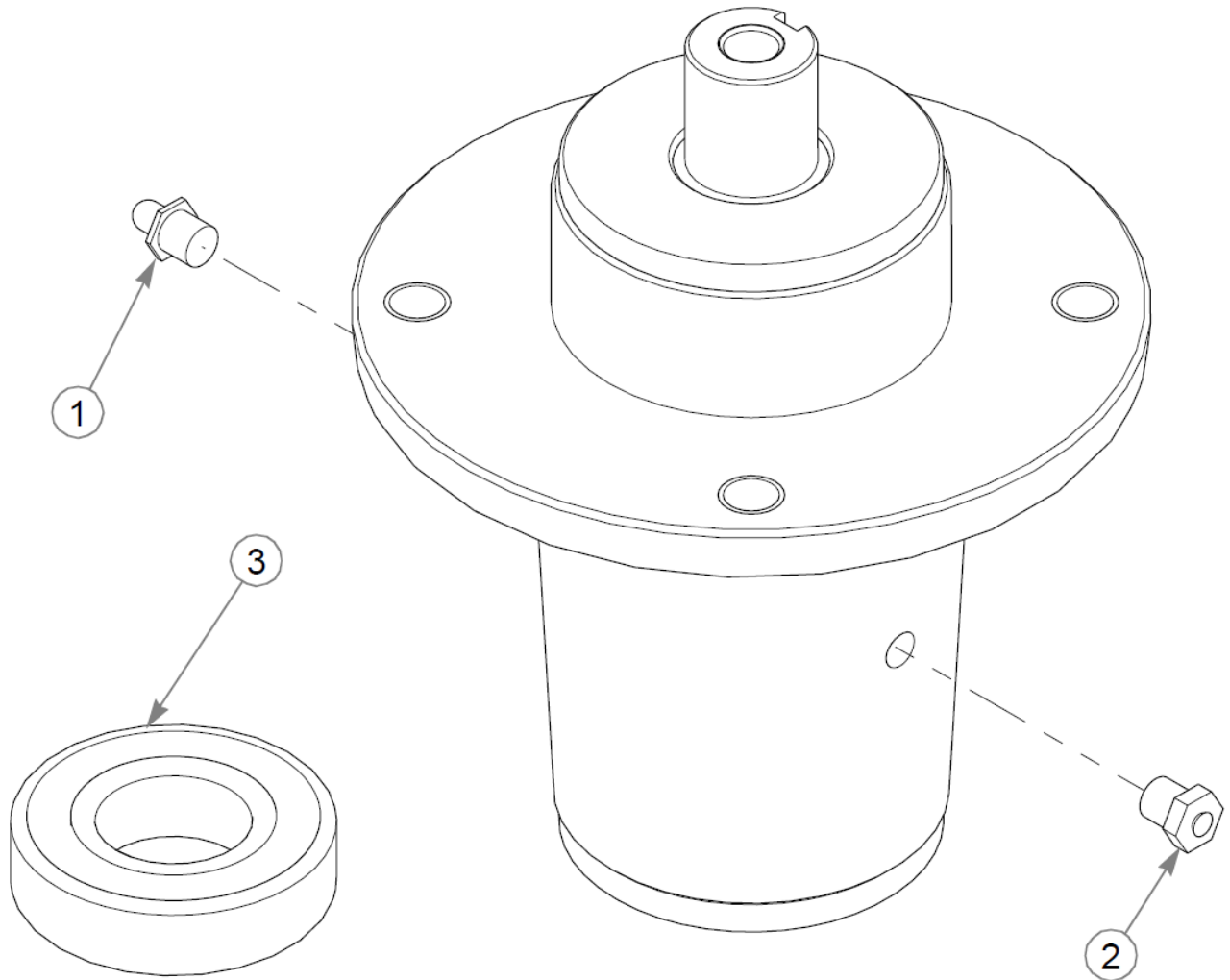
Item	Part No.	Qty	Name
1	025007	1	CS .62511X1.750HXG5
2	028118	2	FW 0.625X1.00X.13 ZN
3	603057	1	DUST SHIELD W/OFFSET
4	607448	1	IDLER, 6" TALL
5	603256	1	SPACER DECK IDLER 1/2"LG
6	350884	1	SLIDE, DECK IDLER
7	781302	1	IDLER SPRING
8	373191	1	CHAIN, 21 LINK
9	602936	2	IDLER SLIDE, UHMW
10	603023	4	WN .312-18 ZN
11	016972	2	NT .625-11 HX G5 ZN
12	602963	1	DUST SHIELD, IDLER LG
13	602743	1	IDLER, 10.0" COMMERCIAL
14	608144	1	SHIELD, DUST
15	602821	1	IDLER, 6.0" COMMERCIAL
16	705954	15	CS .500-13X1.25 HX G5 ZN
17	752386	3	CW .505 X 1.625 X .140
18	602745	3	PULLEY, DRIVE 7.00 EFF
19	045765	3	FW 1.030X1.50X.13 HD ZN
20	607409-4	3	DUST SHIELD
21	767962	12	FW .531 x 1.063 x .175
22	113340	1	PUSHER W/A, HZ/SZ
23	015495	2	GREASE FITTING STRAIGHT
24	604515	6	NT .375-16 FL NY GF
25	607288	2	CB .50-13X4.75 STD ZN
26	602345	2	SPACER, ANTI-SCALP 3.22
27	602263	2	WHEEL, ANTI-SCALP
28	608880	3	NT .50-13 FL NY
29	602344	1	SPACER, ANTI- SCALP 5.73
30	602341	1	WHEEL, ANTI-SCALP
31	602338	1	CB .50-13 X 7.50 STD ZN
32	025395	6	CB .375-16X 1.00 G5 ZN
33	782474	2	CW .678 X 2.250 X .187
34	783738	2	CS .625-11X3.000HXG5
35	603022	4	CS .312-18X.625 BH ZN

This page intentionally left blank

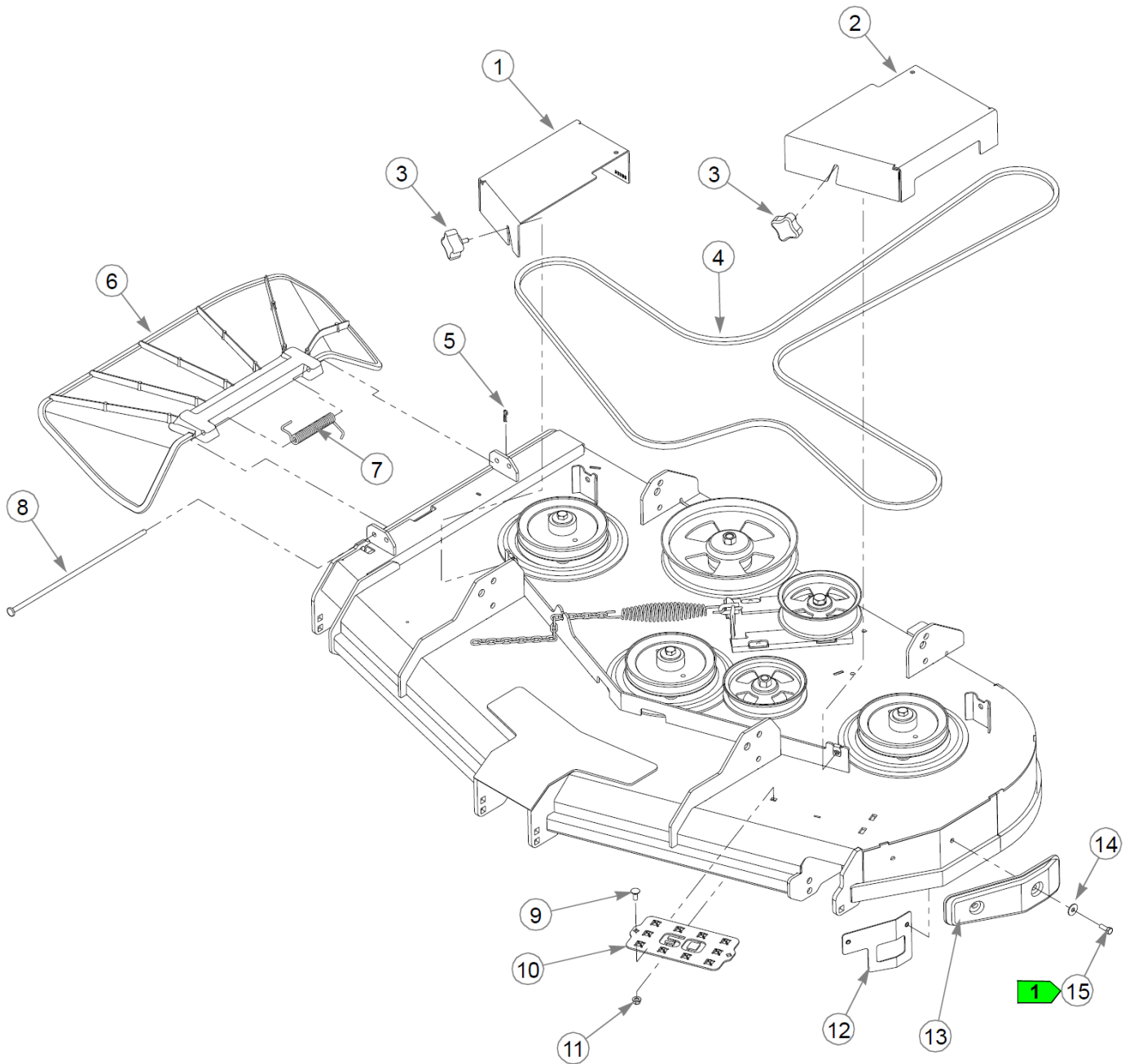
Item	Part No.	Qty	Name
36	212472	3	KEY 1/4 SQ X 1.00 LG(FS)
37	607407	3	SPINDLE ASSY, DUCTILE

Comments for Page: Deck Pulleys & Spindles

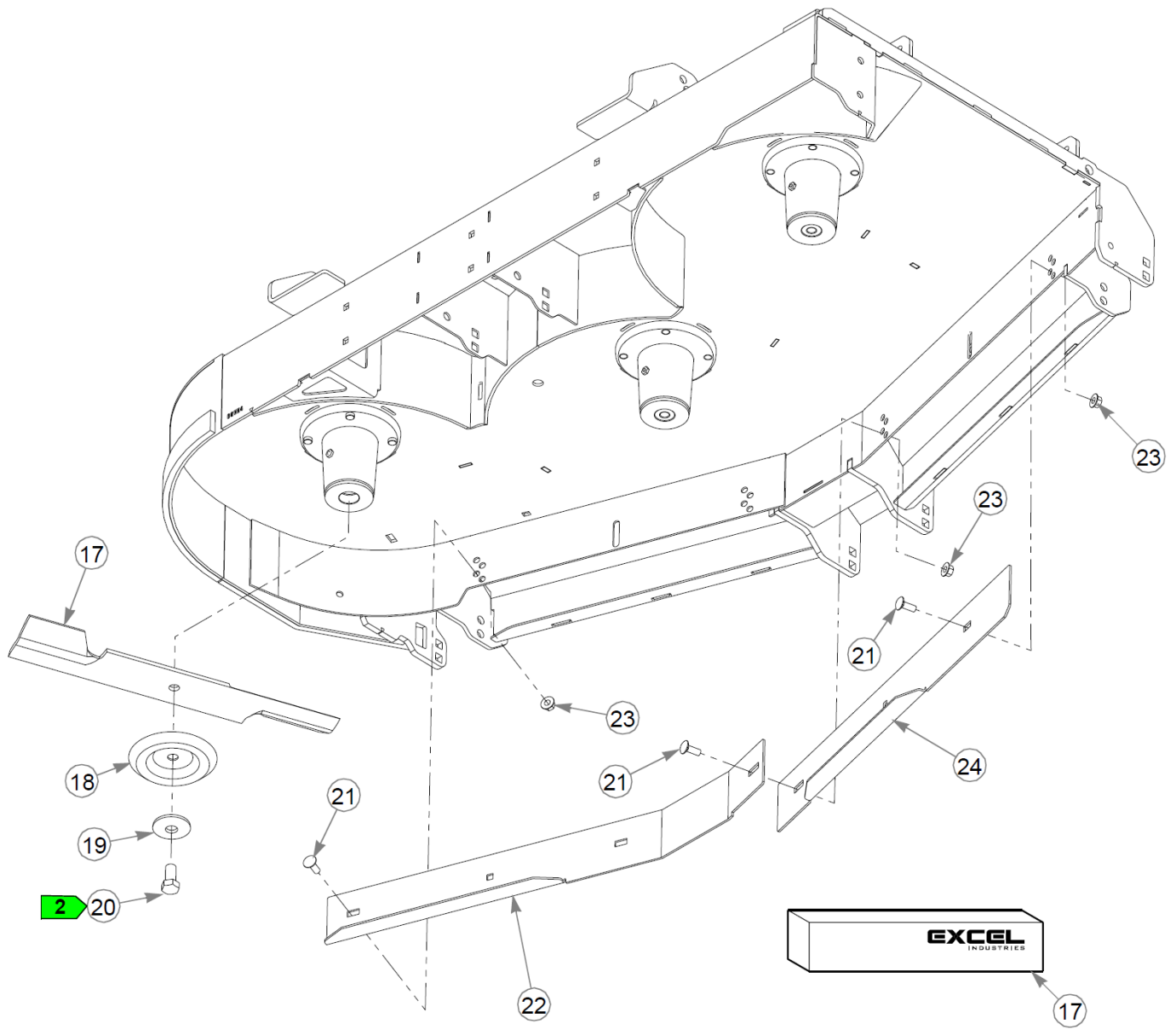
1. Torque to 67–75 ft-lbs.



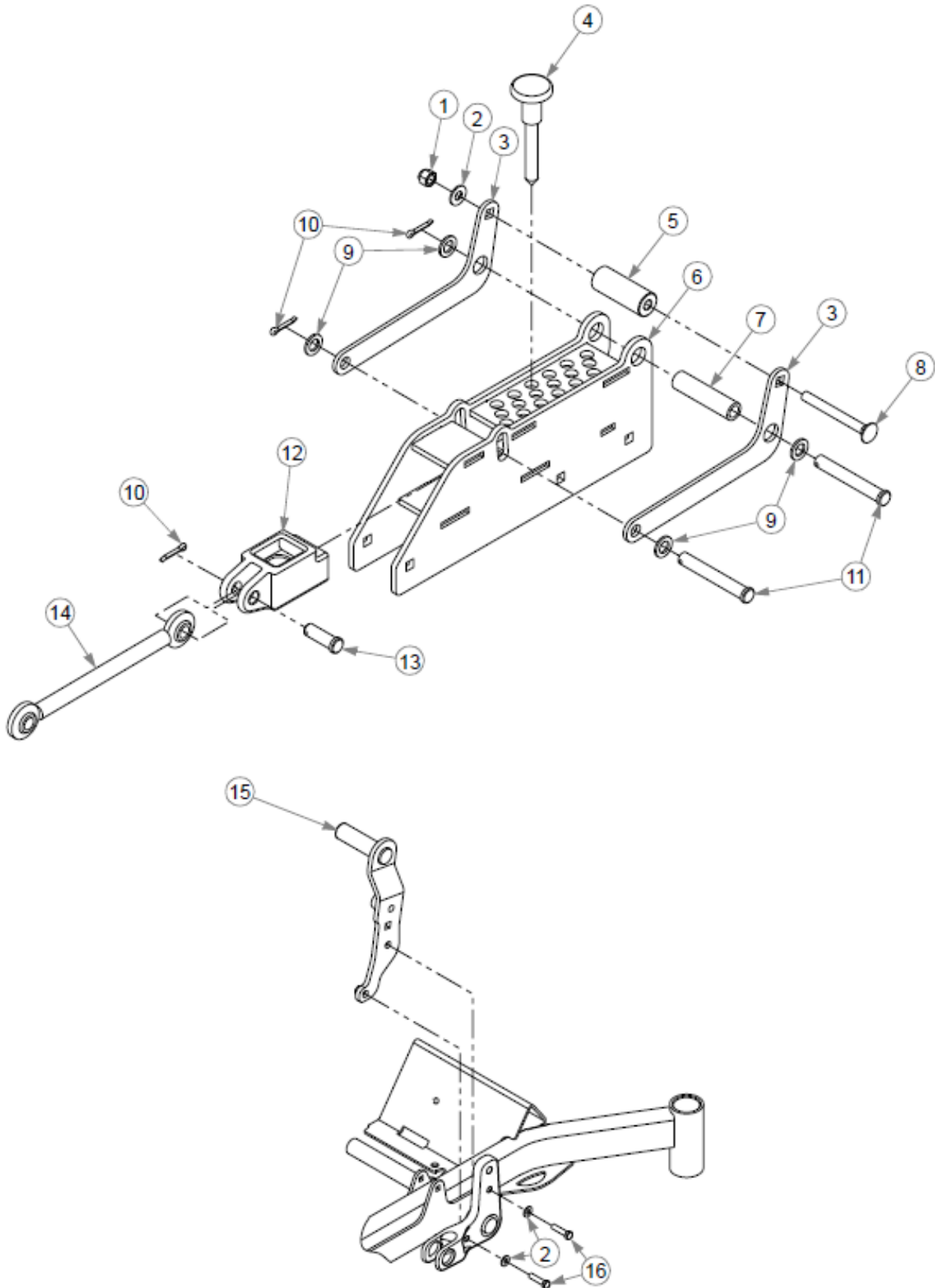
Item	Part No.	Qty	Name
	607407	1	SPINDLE ASSY, DUCTILE
1	607477	1	GREASE ZERK
2	607478	1	RELIEF FITTING
3	607955	2	BEARING



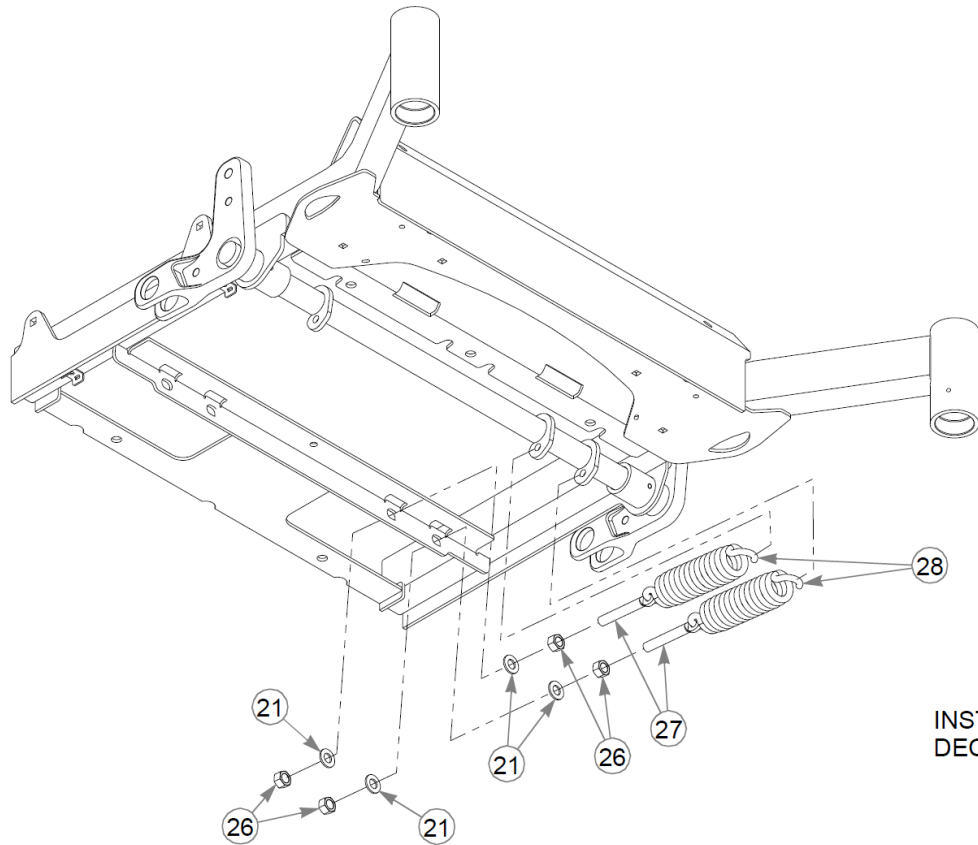
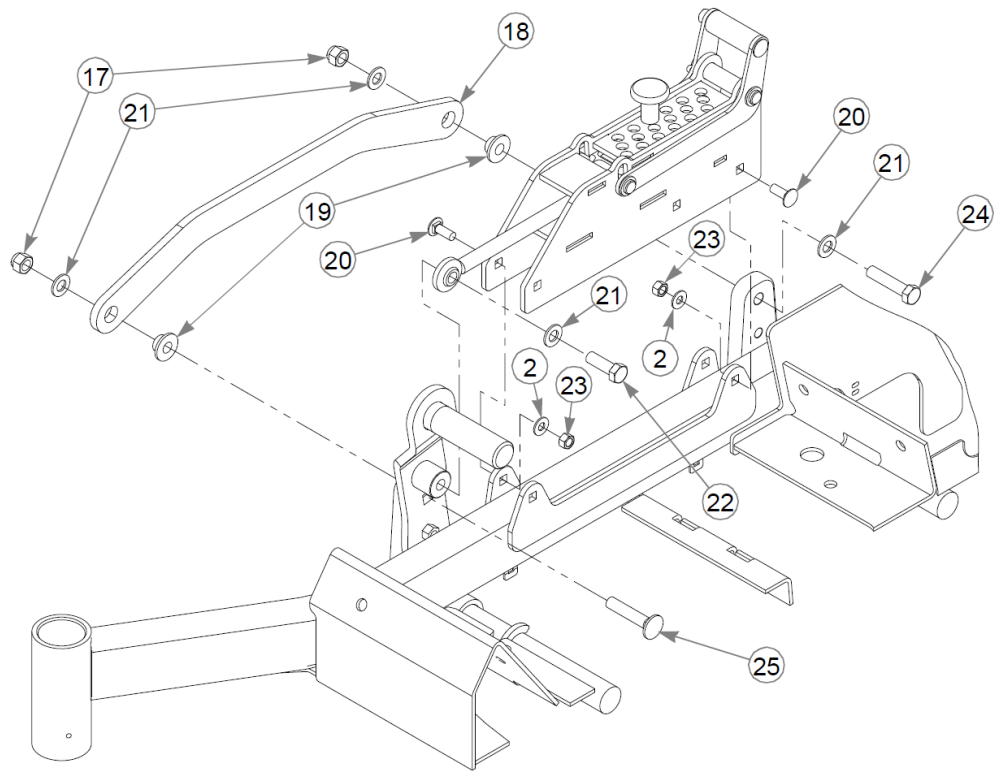
This page intentionally left blank



Item	Part No.	Qty	Name
1	128000-6	1	PULLEY COVER, RS
2	128001-6	1	PULLEY COVER, LS
3	792002	4	KNOB,5/16-18 X 3/4"MALE
4	606874	1	DECK BELT
5	706549	1	HP0.080X1.190
6	602891	1	CHUTE, DISCHARGE LG
7	602435	1	SPRING, TORSION
8	608776-4	1	PIVOT PIN, DISCHARGE
9	608953	2	CB 0.312-18 X 0.750 G5
10	128506-6	1	STEP TREAD, 60"
11	608059	2	NT .312-18 FL NY G5
12	113563	1	BACKING PLATE W/A
13	602817	1	RUBBER BUMPER
14	079210	2	FW 0.344X1.0X0.06 ZN
15	064014	2	CS .312-18X0.875HXG5
17	602771	3	BLADE, F20.50" EHN-F-CW
	602771X	1	6PK BLADE, F20.50" EHN-F
	793794	3	BLADE,20.50"-L-F-CW
	793794X	1	10PK BLADE, 20.50"-L-F-C
	794214	3	BLADE,20.50"-MUL-F-CW
	794214X	1	10PK BLADE, 20.50"-MUL-F
	794230	3	BLADE,20.50"GAT-F-CW
	794230X	1	10PK BLADE, 20.50"-GAT-F
	794685	3	BLADE, F20.50"-H-F-CW
	794685X	1	10PK BLADE, F20.50"-H-F-
18	114988	3	SHIELD, BLADE BOLT
19	782474	3	CW .678 X 2.250 X .187
20	781872	3	CS .625-11X1.250HXG5
21	025395	6	CB .375-16X 1.00 G5 ZN
22	123961-1	1	ADJ BAFFLE LS 60" VX4
23	604515	6	NT .375-16 FL NY GF
24	123960-1	1	ADJ BAFFLE RS 60" VX4

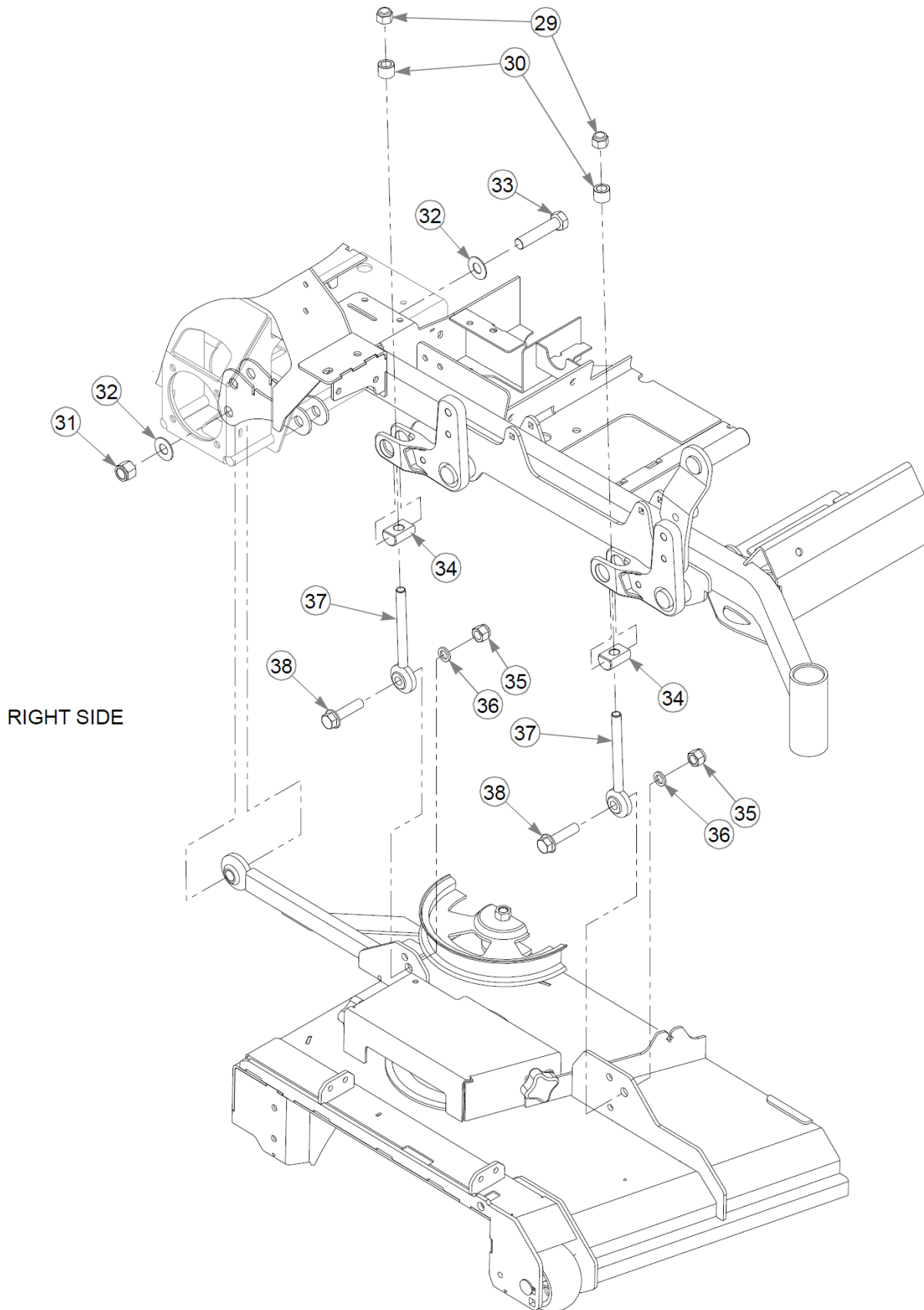


This page intentionally left blank

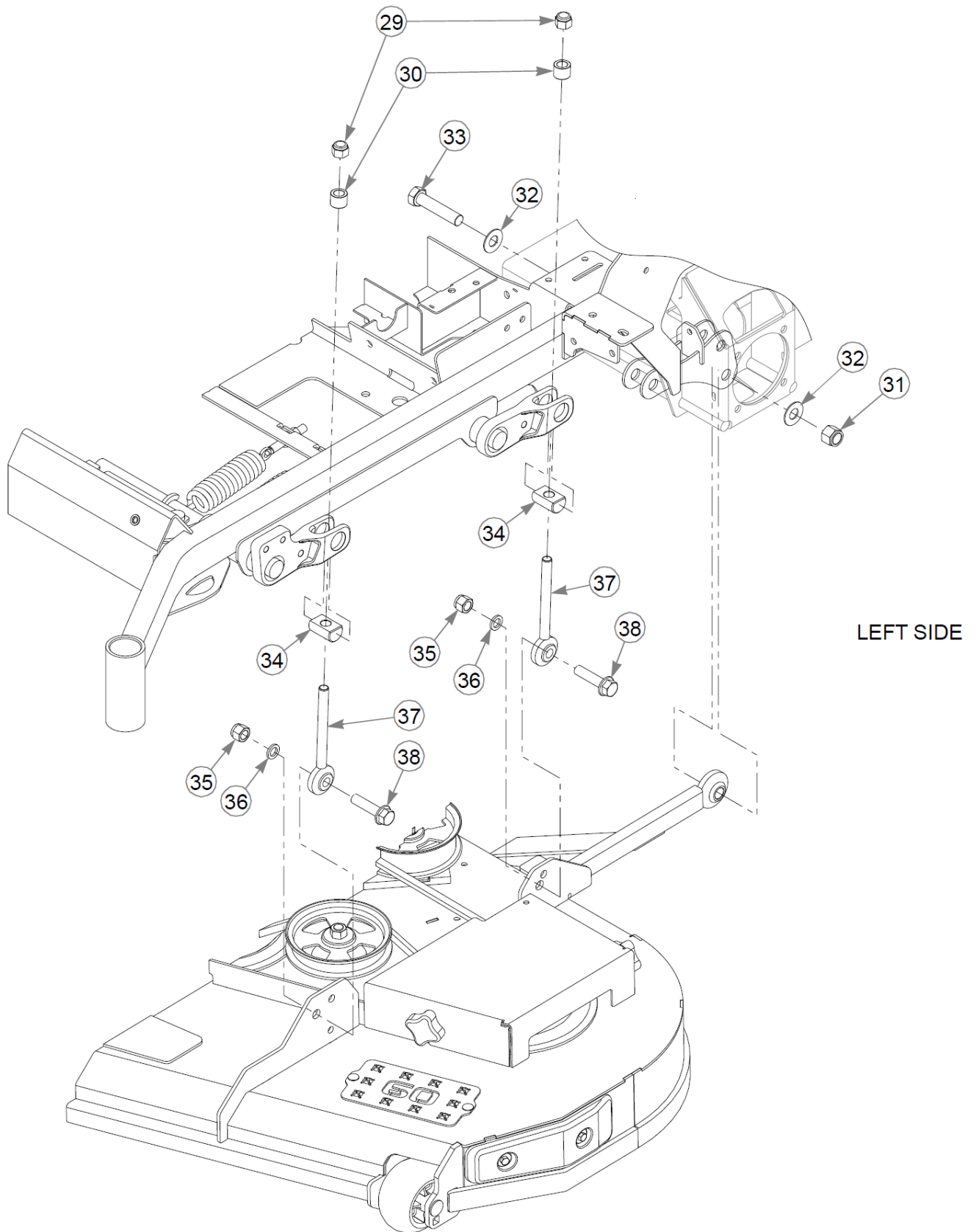


INSTALL AFTER
DECK LEVELING

This page intentionally left blank



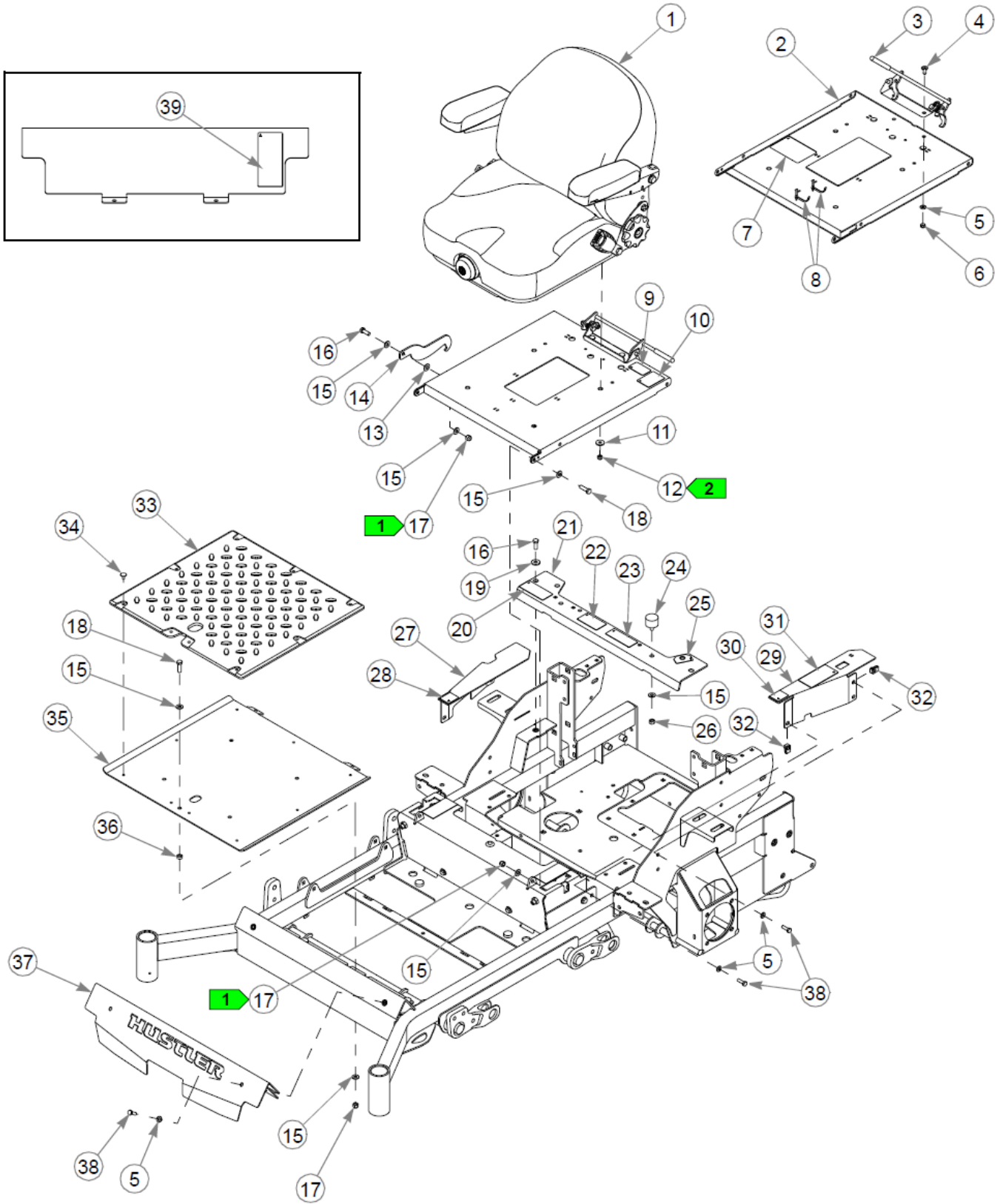
This page intentionally left blank



Item	Part No.	Qty	Name
1	086660	1	NT .375-16NLG8
2	767954	7	FW 0.379X.82X.06 HD ZN
3	124361-4	2	LATCH HANDLE
4	606918	1	MAGNETIC PIN, 1/2 x 3.13
5	117489	1	SPACER, LATCH
6	124357-1	1	DECK HEIGHT W/A
7	604075	1	SPACER, CYLINDER
8	041848	1	CB .375-16X 3.500 FUL Z
9	718288	4	FW .516X.88X.09 ZN
10	017251	3	CP .156DX1.000 LG HML Z
11	025965	2	CE .500X3.50 .156X3.34
12	606895	1	SLIDER, DECK LIFT
13	068056	1	CE .500X1.50 .150X1.32
14	122994	1	DECK HEIGHT LINK, W/A
15	124147-1	1	PEDAL WA, DECK LIFT
16	080655	2	CS .375-16X1.500HXG5
17	781567	2	NT .500-13NLG5
18	128313-4	1	LINK, DECK CRANK - SZ
19	608319	2	BUSHING
20	025395	4	CB .375-16X 1.00 G5 ZN
21	004168	8	FW .531x1.00x.090 ZN
22	074252	1	CS .500-13X1.50 HX G5 ZN
23	054502	4	NT .375-16HXG5
24	761544	1	CS .500-13X2.250HXG8
25	604254	1	CB .50-13 X 2.50 STD ZN
26	008193	4	NT .500-13HXG5
27	606478	2	EB, .500-13X3.00 FULTHD
28	606454	2	SPRING, EXT 7.0 300LB/IN
29	604232	4	NT .625-18NLKG5
30	603903	4	DECK LEVEL SPACER
31	061101	2	NT .750-10 HX ZN NL GR B
32	025296	4	FW .760X1.63X0.08 ZN
33	051169	2	CS .750-10X3.000HXG5
34	603902	4	DECK LEVEL PIVOT
35	058768	4	NT .625-11 HXZN NY

This page intentionally left blank

Item	Part No.	Qty	Name
36	028118	4	FW 0.625X1.00X.13 ZN
37	116732	4	W/A, DECK LEVEL ROD END
38	604043	4	CS .625-11x2.500FLGG5



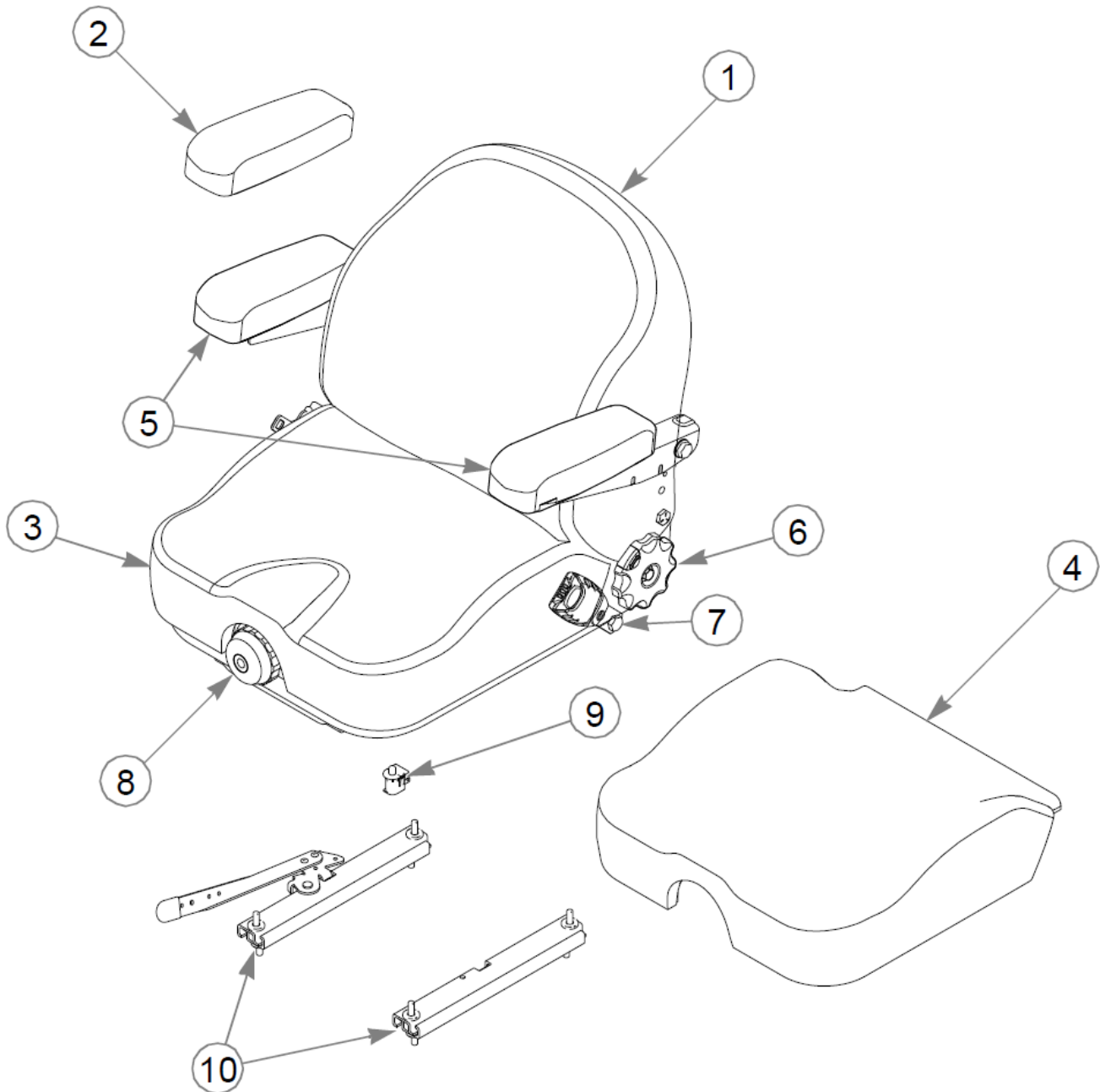
Item	Part No.	Qty	Name
1	608938	1	SEAT, I3M SEATS INC
2	556585	1	SVC, SEAT PAN
3	605907	1	LATCH ASSEMBLY
4	016253	2	CB .312-18X .750 FUL ZN
5	768523	9	FW 0.343SAE
6	034272	2	NT .312-18HXG5
7	601815	1	DECAL, BATTERY WARNINGS
8	000331	2	WIRE TIE, SMALL/SHORT
9	605688	1	DECAL, LEVEL FUEL FILL
10	785188	1	DECAL, Z ARMREST WARNING
11	712927	4	FW 0.344X1.00X.12 HD ZN
12	058776	4	NT .312-18NLG5
13	724716	2	WASHER, FIBER (FS)
14	350421	2	SEAT PAN STOP (PLATED)
15	767954	12	FW 0.379X.82X.06 HD ZN
16	036244	4	CS .375-16X1.00 HX G5 ZN
17	086660	5	NT .375-16NLG8
18	052860	3	CS .375-16X1.25 HX G5 ZN
19	712919	2	FW 0.406X1.00X.12 HD ZN
20	601967	1	DECAL, ENGINE COMPART
21	554291	1	SVC, SEAT SUPPORT
22	601968	1	DECAL, HYDRAULIC PRESS
23	601058	1	DECAL, HOT/SYN HYDRO OIL
24	601650	2	VIBRATION MOUNT 70DURO
25	791848	1	DECAL, FUEL INDICATOR- M
26	054502	2	NT .375-16HXG5
27	556584	1	SVC, TRIM PANEL RH
28	785220	1	DECAL, STEERING R.S.
29	556583	1	SVC, TRIM PANEL LH
30	785139	1	DECAL, STEERING L.S.
31	600899	1	DECAL, PUMP BELT WARNING
32	601069	5	CN .312-18x.200 MAX THK
33	608838	1	FLOOR MAT
34	607868	9	PUSH IN RIVET
35	128352-1	1	FLOOR PAN

This page intentionally left blank

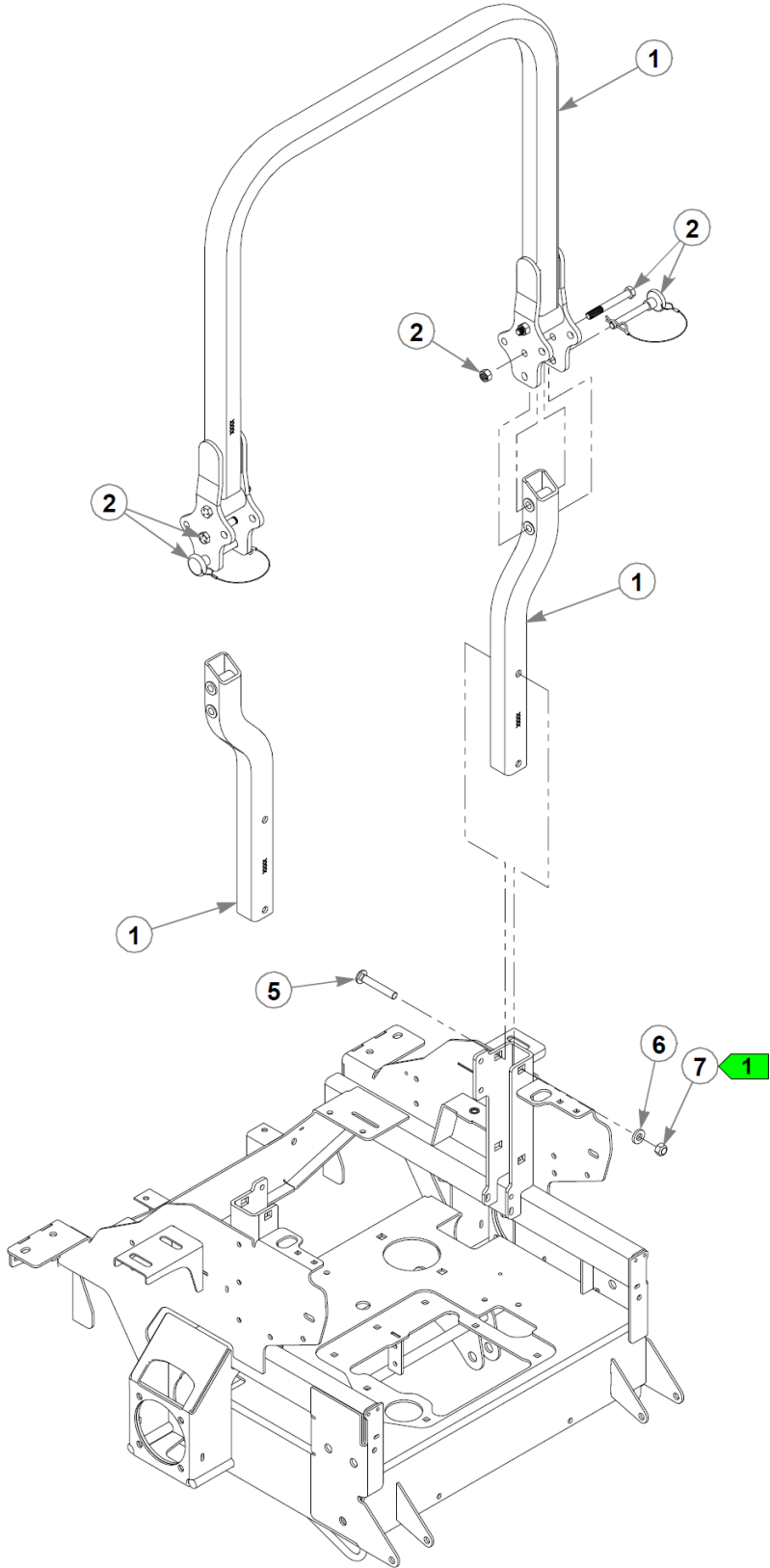
Item	Part No.	Qty	Name
36	118900	1	SPACER, DECK LIFT LINK
37	556591	1	SVC, FOOTREST, HUSTLER
38	036236	7	CS .312-18X1.000HXG5
39	606894	1	DECAL, DECK HEIGHT

Comments for Page: Seat & Floor Pan

1. Do not torque; the seat pan and seat pan stop must pivot freely.
2. Torque to 17 ft-lbs.



Item	Part No.	Qty	Name
	608938	1	SEAT, I3M SEATS INC
1	608936	1	SVC, SEAT BACK COVER
2	607715	1	SVC, ARM REST PAD KIT
3	608937	1	SVC, SEAT CUSHION COVER
4	608351	1	SVC, SEAT FOAM I3M
5	607711	1	SVC, ARM REST KIT
6	607709	1	SVC, RECLINER KNOB
7	607207	1	SVC, SEAT BELT
8	607206	1	SVC, KNOB KIT
9	606082	1	SVC, OPS
10	607204	1	SVC, TRACK KIT



Item	Part No.	Qty	Name
1	608230	1	SVC, ROPS ASSY
2	608125	1	ROPS HARDWARE KIT
5	608568	4	CB .500-13 X 3.500 G5
6	767962	4	FW .531 x 1.063 x .175
7	023317	4	NT .500-13UNTG8

Comments for Page: ROPS

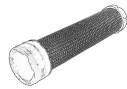
1. Torque to 73 ft-lbs.

REPLACEMENT PARTS - QUICK LIST

Filters



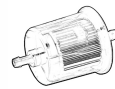
Air Filter - Main



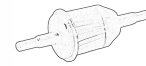
Air Filter - Safety



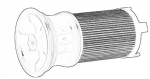
Oil Filter



Fuel Filter



Vapor System Filter



Hydraulic Oil Filter



Blades



Standard Blade



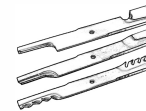
Box of Standard Blades



Mulch Blade



Box of Mulch Blades

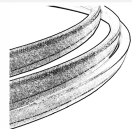


Additional Blade Options
Refer to Parts Manual

Belts



Deck Belt



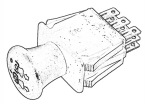
Drive Belt



This page intentionally left blank

REPLACEMENT PARTS - QUICK LIST

Switches



PTO



Ignition



Seat



Deck Parts



Discharge Chute



Discharge Chute Spring



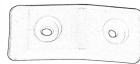
Pully Cover Knob



Anti-Scalp Wheel



Anti-Scalp Wheel



Deck Bumper



Deck Height Pin



This page intentionally left blank

REPLACEMENT PARTS - QUICK LIST

Miscellaneous Parts



Key



Fuel Cap



Hustler Fluids



9 FL. OZ.

Fuel Stabilizer



QUART

Engine Oil



QUART

Hydraulic Oil



GALLON

Hydraulic Oil



'QUICK LIST' Replacement Parts List

60" Super Z HD Parts Manual - 942995 - HTSHDV060KAWFX1000VEFIA

Item	Part No.	Qty	Name
1	785261	1	AIR FILTER - MAIN
2	785279	1	AIR FILTER - SAFETY
3	603138	1	ENGINE OIL FILTER
4	604558	1	FILTER, KAWASAKI FUEL
5	604323	1	VAPOR SYSTEM FILTER
6	602768X	1	HYDRAULIC OIL FILTER
7	602771	3	BLADE, F20.50" EHN-F-CW
8	602771X	1	6PK BLADE, F20.50" EHN-F
9	794214	3	BLADE,20.50"-MUL-F-CW
10	794214X	1	10PK BLADE, 20.50"-MUL-F
11	606874	1	DECK BELT
12	604208	1	DRIVE BELT
<p>Comments for Part Num. 604208</p> <p>Belt design was a COG belt but has been changed to a smooth V-belt.</p>			
13	776476	1	SWITCH, PTO 6201-321
14	045898	1	IGNITION SWITCH
15	606082	1	SVC, OPS
16	602891	1	CHUTE, DISCHARGE LG
17	602435	1	SPRING, TORSION
18	792002	1	KNOB,5/16-18 X 3/4"MALE
19	602263	2	WHEEL, ANTI-SCALP
20	602341	1	WHEEL, ANTI-SCALP
21	602817	1	RUBBER BUMPER
22	606918	1	MAGNETIC PIN, 1/2 x 3.13
23	785808	1	KEY ASSEMBLY
24	603807	1	CAP, 3.5" RATCHETING GAS
25	606531	1	FUEL STABILIZER, CASE
<p>Comments for Part Num. 606531</p> <p>EACH CASE CONTAINS 6 - 8 FL. OZ. BOTTLES</p>			
26	608841X	1	OIL, CASE QTS 15W-50 ENG
27	606950	1	OIL, 20W-50 HYD QT
<p>Comments for Part Num. 606950</p> <p>EACH CASE CONTAINS 12 - 1 U.S. QUART PLASTIC BOTTLES</p>			

This page intentionally left blank

Item	Part No.	Qty	Name
28	606951	1	OIL, 20W-50 HYD GAL
Comments for Part Num. 606951			
EACH CASE CONTAINS 4 - 1 U.S. GALLON PLASTIC BOTTLES			