

Hustler® Parts Manual

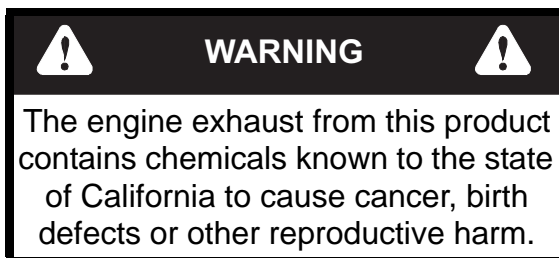


HUSTLER®
TURF EQUIPMENT

200 South Ridge Road

Hesston, Kansas

67062



NOTICE OF REQUIREMENT OF SPARK ARRESTER MUFFLER

This equipment may create sparks that can start fires around dry vegetation. California Public Resources Code Section 4442.6 provides that it is unlawful to use or operate an internal combustion engine on any forest-covered, brush-covered, or grass-covered land unless the engine is equipped with a spark arrester maintained in effective working order. A spark arrester is a device constructed of nonflammable materials specifically for the purpose of removing and retaining carbon and other flammable particles over 0.0232 of an inch in size from the exhaust flow of an internal combustion engine that uses hydrocarbon fuels or which is qualified and rated by the United States Forest Service. Other states or federal areas may have similar laws. The Operator Should Contact Local Fire Agencies For Laws or Regulations Relating to Fire Prevention Requirements. **THIS EQUIPMENT DOES NOT HAVE A SPARK ARRESTER AND YOU SHOULD CONTACT YOUR AUTHORIZED DEALER FOR THE PURCHASE OF A SPARK ARRESTER.**

Inspect spark arrester daily; replace every 500 hours or as needed.

The Engine Owner's Manual provides information regarding the U.S. Environmental Protection Agency (EPA) and the California Emission Control Regulation of emission systems, maintenance and warranty.

Keep Engine Owner's Manual with your unit. Should the Engine Owner's Manual become damaged or illegible, replace immediately. Replacements may be ordered per the information found in the Product Information section of the owner's manual.

Federal law and California State law prohibit the following acts or the causing thereof:

1. The removal or rendering inoperative by any person other than for purposes of maintenance, repair, replacement, of any device or element of design incorporated into any equipment for the purposes of emissions control prior to or after its sales or delivery to the ultimate purchaser or while it is in use, or
2. The use of the equipment after such device or element of design has been removed or rendered inoperative by any person.

General Information Page	1
Frame, Fenders, Engine Guard, Instrument Panel, Wire Harness & Battery	
Frame	2-1
Fenders, Floor Pan, Footrest & Engine Guard (Multi-Page)	2-2
Instrument Panel & Wire Harness - S/N 20125064 & HIGHER	2-3
Instrument Panel & Wire Harness - S/N PRIOR TO 20125064	2-4
Battery	2-5
Transmissions, Drive Belt, Clutch, Steering & Brake	
Transmissions	3-1
Transmission Service Parts	3-2
Drive Belt & Clutch	3-3
Steering & Brake	3-4
Steering Assembly (Multi-Page)	3-5
Wheels & Tires	
Wheels & Tires	4-1
Front Wheel Assembly	4-2
Drive Wheel Assembly	4-3
Engine & Fuel System	
Engine & Muffler (Multi-Page)	5-1
SERVICE PARTS - FR691V Engine	5-2
Fuel System	5-3
SERVICE PARTS - 607745 Fuel Tank	5-4
Deck, Deck Belt, Blades & Deck Lift	
Deck Belt, Pulley Covers & Blades	6-1
Deck Pulleys & Spindles	6-2
SERVICE PARTS - 607208 Spindle	6-3
Deck Lift & Mounting Hardware (Multi-Page)	6-4
Service Deck	6-5
Seat	
Seat	7-1
'QUICK LIST' Replacement Parts List	8

General Information

Note: When ordering parts, you must use the part number as shown for each part, not the index number. Always give the model and serial number to your parts and service representative.

Note: Items sold in bulk such as seals and hoses are sold by the foot.

Using This Manual

This manual is part of a service package for the Hustler® mowers. Use of this manual in conjunction with other Hustler® mower and component manuals will provide the information necessary to service and maintain Hustler® mowers.

This Parts Manual provides a complete parts listing for the unit. Use this manual when ordering parts. Illustrations used were current at the time of printing, but subsequent production changes may cause your machine to vary slightly in detail. Excel Industries, Inc. reserves the right to redesign and change the machine as deemed necessary, without notification. If a change has been made to your machine which is not reflected in this parts manual, see your authorized dealer for current information and parts.

The Service Manual is a service guide for use by Service Technicians. It provides the necessary information needed to perform normal maintenance requirements on these units.

The Operator's Manual provides fundamental operational information and operational safety that is needed when operating the mower.

The component manuals are furnished by the various manufacturers to be used for the troubleshooting and servicing of their products.

Hardware Description Codes & Abbreviations

The following codes are used throughout this parts manual. Refer to this list when ordering parts.

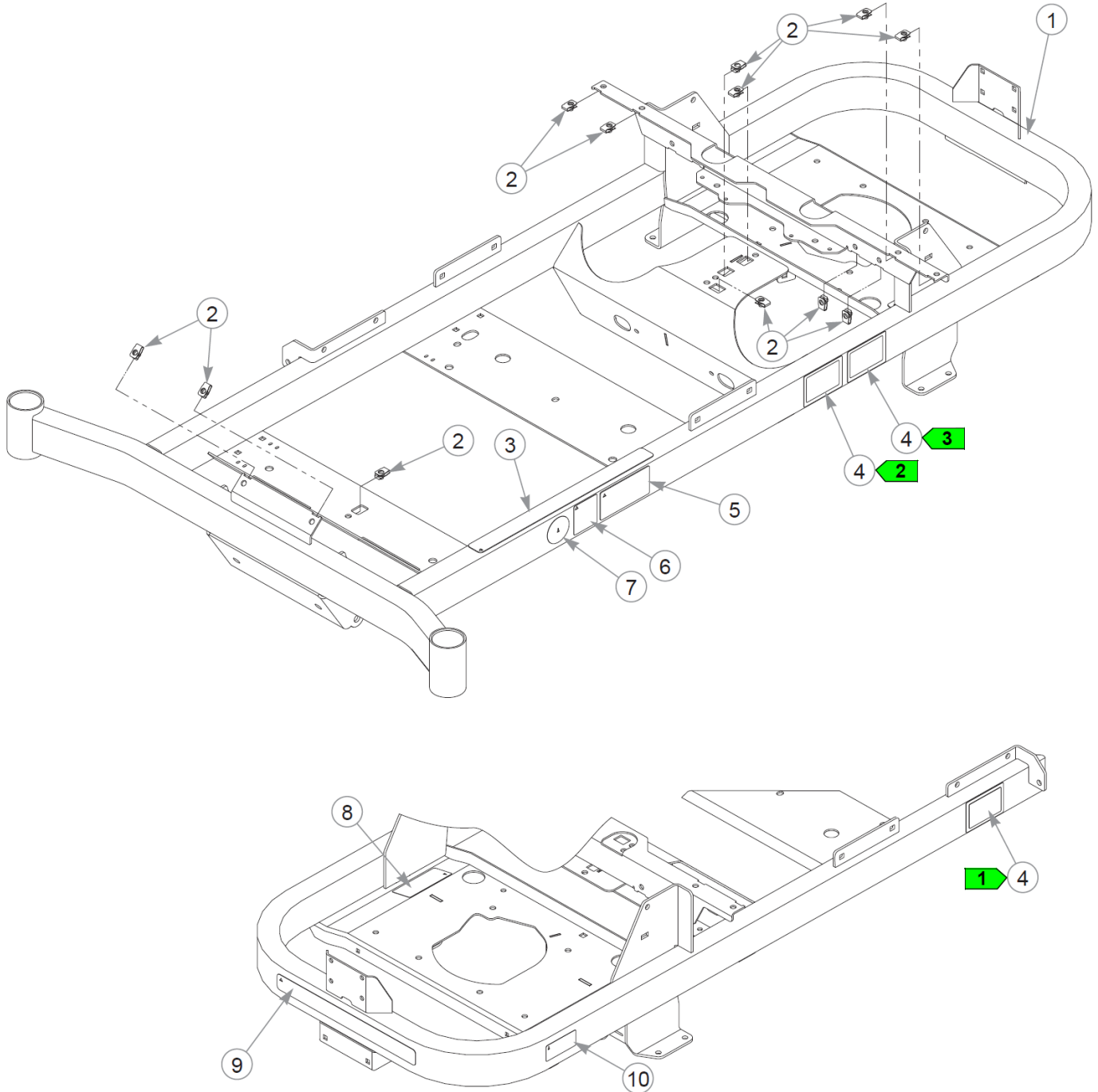
ABBREVIATION	DESCRIPTION	ABBREVIATION	DESCRIPTION
CB	CARRIAGE BOLT	MB	MACHINE BUSHING
CE	CLEVIS PIN	MS	MACHINE SCREW
CN	CLIP NUT	NT	NUT
CP	COTTER PIN	SC	SELF TAPPING CAP SCREW
CS	CAP SCREW	SH	SOCKET HEAD
CW	CUP WASHER	SB	SHOULDER BOLT
FDRW	FENDER WASHER	SS	SET SCREW
FW	FLAT WASHER	OD	OUTSIDE DIAMETER
HX	HEX HEAD	ID	INSIDE DIAMETER
LW	LOCK WASHER	WN	WELD NUT

Standard Torques

The following chart lists the standard torque values for the threaded fasteners found in this manual. Torque all cap screws, nuts and set screws to these values unless a different torque is shown in the Notes section next to the fastener.

SIZE	FT-LBS	N•M	SIZE	FT-LBS	N•M
.250	8.2	11.1	M3	1	1.3
.312	17	23	M4	2.2	3
.375	30	40	M5	4.5	6.1
.438	48	65	M6	7.7	10.4
.500	73	99	M8	18.5	25
.562	105	143	M10	37	50
.625	145	200	M12	64	87
.750	260	350	M14	80	108.5
.875	420	565	M16	160	215
1.00	625	850	M20	320	435
			M24	555	750

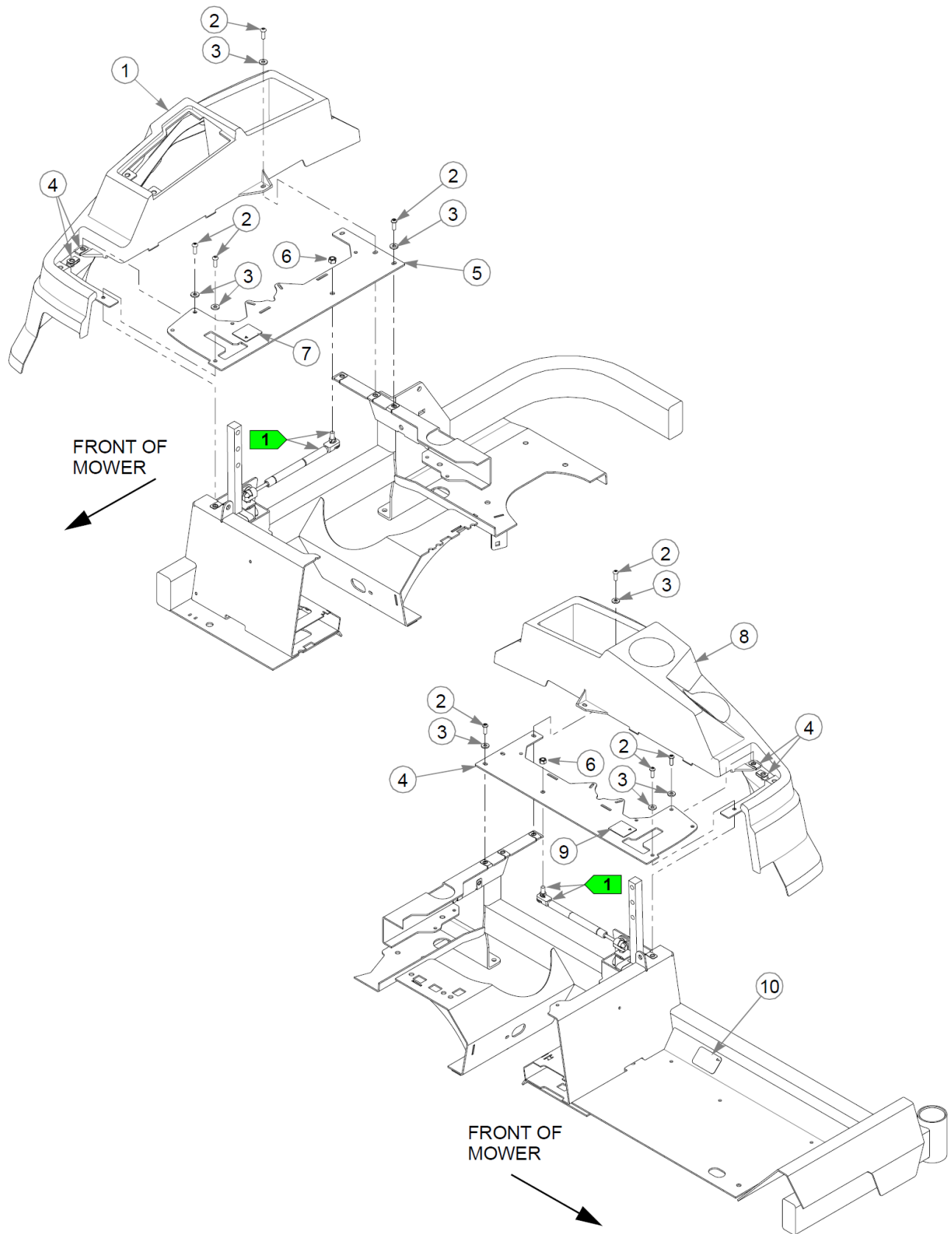
This page intentionally left blank



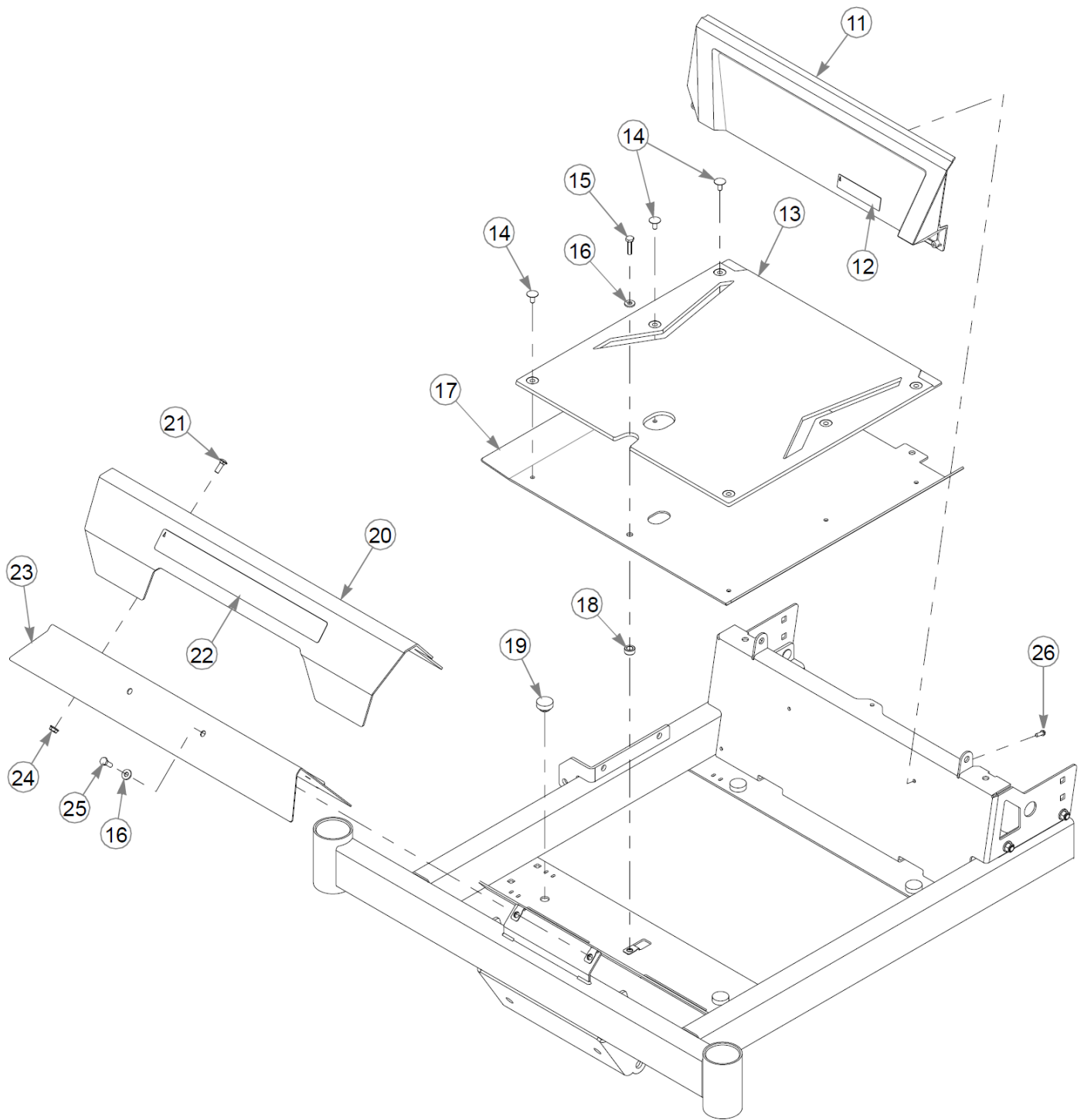
Item	Part No.	Qty	Name
1	555654	1	SVC FRAME
2	601982	12	CN .250-20X .150 MAX THK
3	601981	1	DECAL, SAFE OPERATE-GRAY
4	N/A	3	SERIAL NUMBER / SPEC DECAL
5	600899	1	DECAL, PUMP BELT WARNING
6	607782	1	DECAL, DBA 115 ISO
7	608127	1	DECAL, USA, F&D
8	601967	1	DECAL, ENGINE COMPART
9	602407	1	DECAL, HUSTLER ID
10	602041	1	DECAL, HOT

Comments for Page: Frame

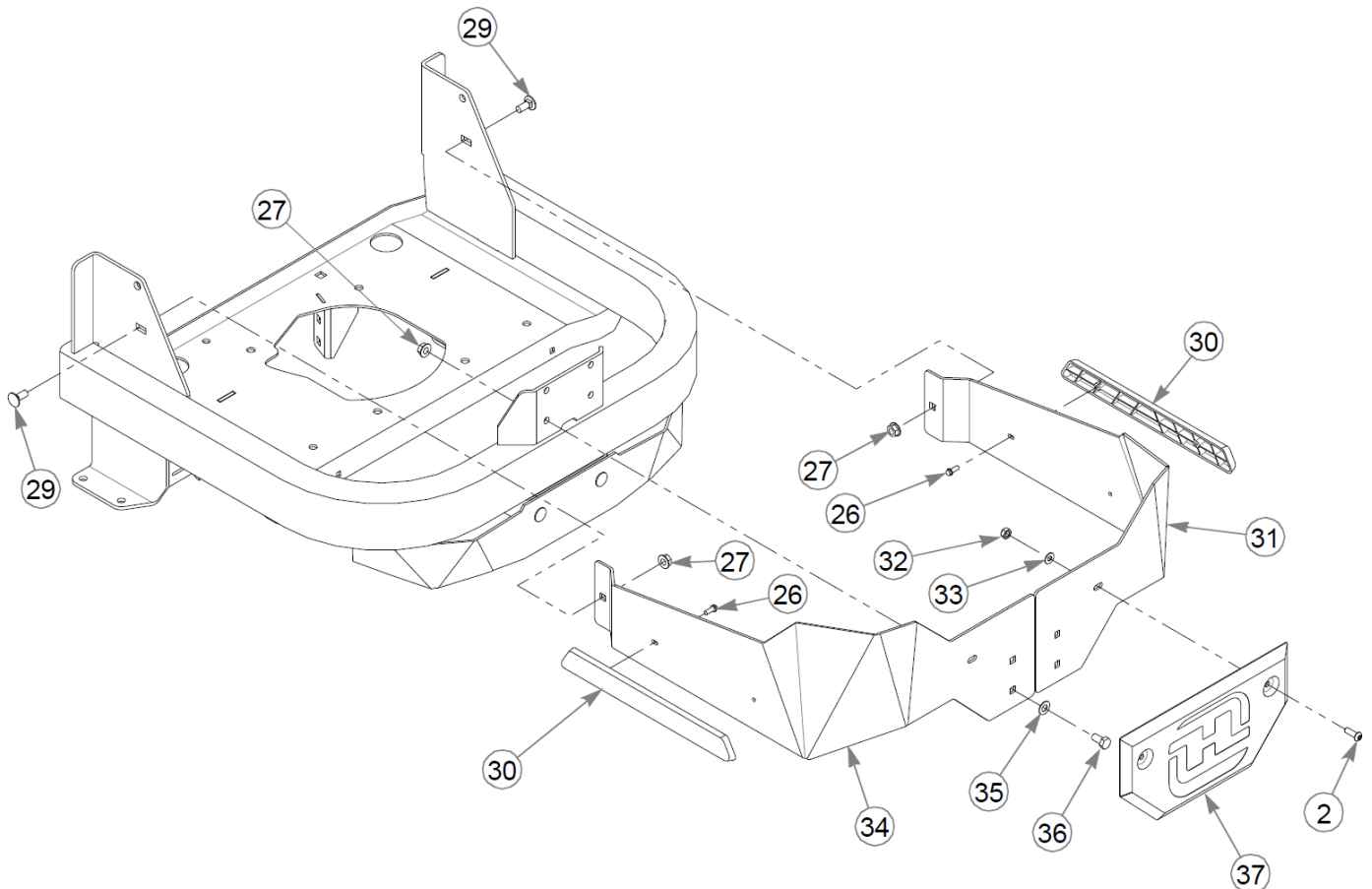
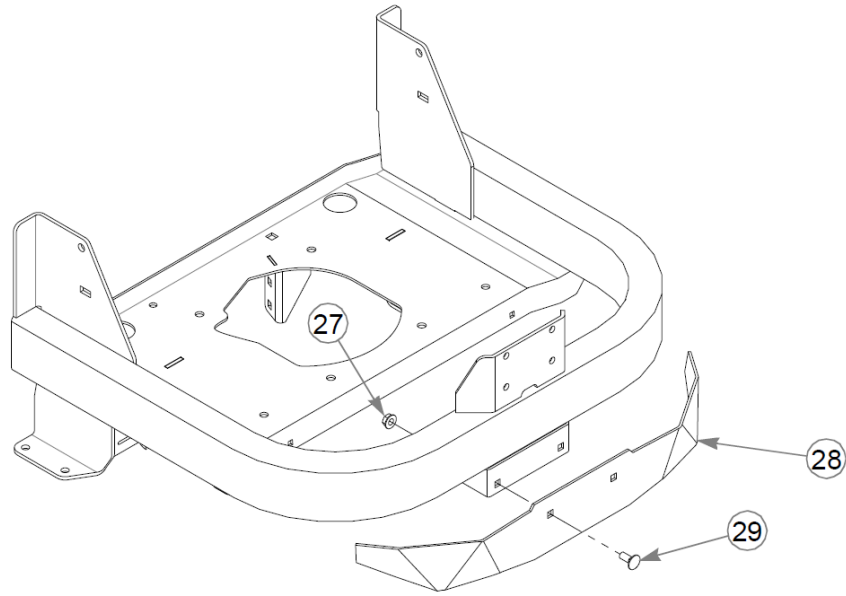
1. Serial number decal. In the event the serial number decal becomes damaged or illegible, please contact your dealer to order a replacement.
2. EPA compliance decal.
3. Patent numbers decal.
4. The frame includes the decals and hardware.



This page intentionally left blank



This page intentionally left blank



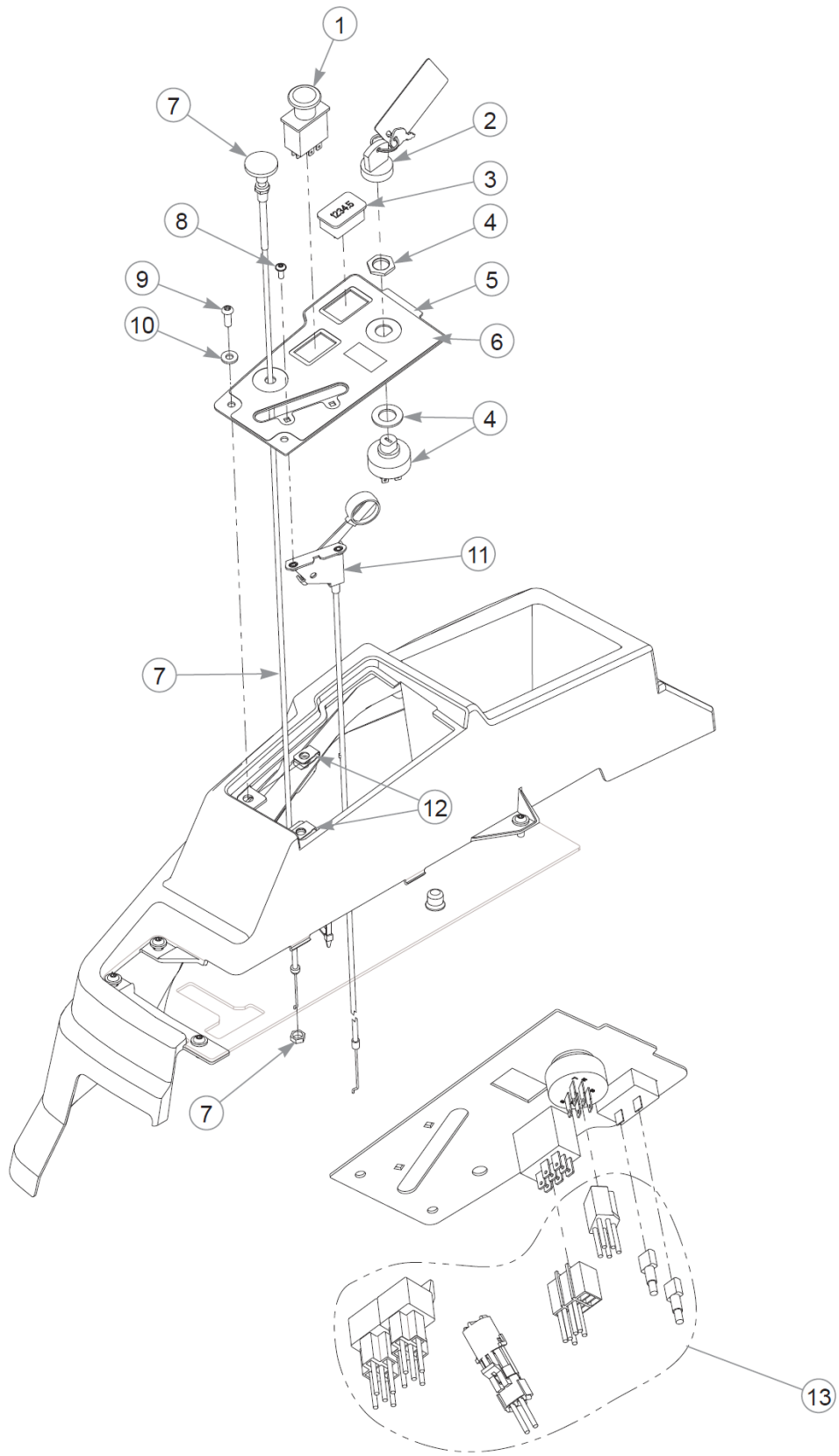
Item	Part No.	Qty	Name
1	607862	1	FENDER RIGHT
2	605473	14	CS .250-20X0.75 BH TX BZ
3	605628	12	FW 0.281X.63X.07 ZB
4	601982	4	CN .250-20X .150 MAX THK
5	126379-6	2	STEERING PLATE
6	058776	2	NT .312-18NLG5
7	785220	1	DECAL, STEERING R.S.
8	607861	1	FENDER LEFT
9	785139	1	DECAL, STEERING L.S.
10	605782	1	DECAL, LEVEL FUEL BLOWM
11	607863	1	KICK PANEL
12	608094	1	DECAL, RAPTOR XDX
13	607864	1	FLOOR MAT
14	607868	6	PUSH IN RIVET
15	056077	1	CS .250-20X1.000HXG5
16	768515	3	FW 0.281SAE
17	126382-1	1	FLOOR PAN
18	118900	1	SPACER, DECK LIFT LINK
19	781880	4	BUMPER, .500x 1.00x .31
20	126381-6	1	FOOTREST OUTER
21	794784	2	CB .250-20 X .75 FUL ZN
22	608095	1	DECAL, HUSTLER
23	126380-1	1	FOOTREST
24	016816	2	NT .250-20FLKG5
25	055939	2	CS .250-20X0.75 HX G5 ZN
26	607892	8	CS #10-16 X 0.500 HX FLG
27	016832	8	NT .312-18FLKG5
28	607901-6	1	LOWER COVER
29	016253	4	CB .312-18X .750 FUL ZN
30	607906	2	SIDE MOLDING
31	607903-1	1	ENGINE GUARD RH
32	068551	2	NT .250-20 HXZY NL
33	017079	2	FW .250SAE
34	607902-1	1	ENGINE GUARD LH
35	768523	4	FW 0.343SAE

This page intentionally left blank

Item	Part No.	Qty	Name
36	034280	4	CS .312-18X0.750HXG5
37	607905	1	LOGO BADGE

Comments for Page: Fenders, Floor Pan, Footrest & Engine Guard (Multi-Page)

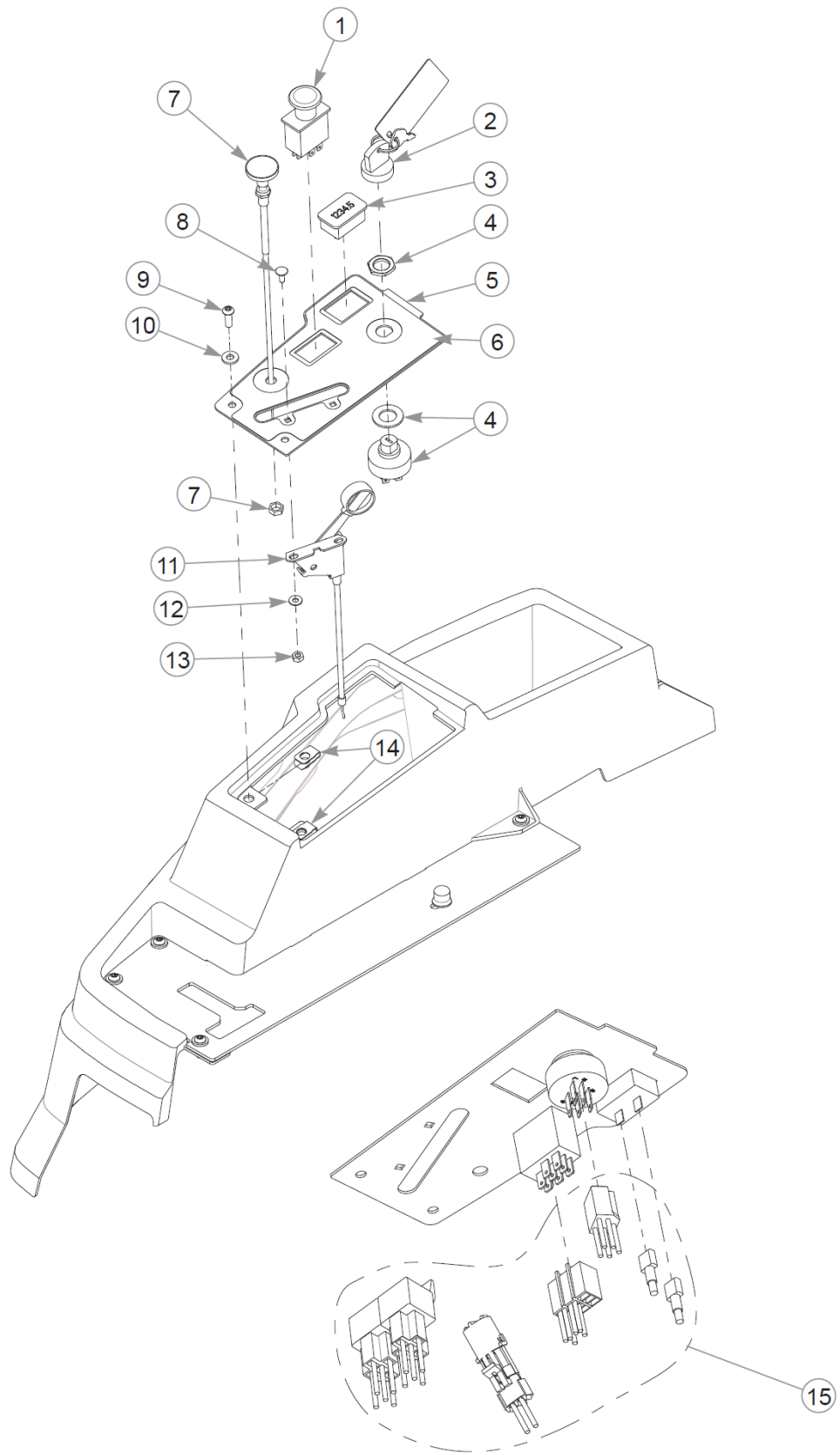
1. Part of the Steering Assembly.



Item	Part No.	Qty	Name
1	776476	1	SWITCH, PTO 6201-321
2	785808	1	KEY ASSEMBLY
3	769166	1	HOUR METER
4	045898	1	IGNITION SWITCH
5	555705	1	SVC, INSTRUMENT PANEL
6	607973	1	DECAL, INST PANEL
7	608191	1	CABLE, CHOKE
8	606851	2	CS 10-24X .500 PH SH ZN
9	605473	2	CS .250-20X0.75 BH TX BZ
10	605628	2	FW 0.281X.63X.07 ZB
11	608190	1	CABLE, THROTTLE
12	601982	2	CN .250-20X .150 MAX THK
13	607950	1	WIRE HARNESS
14	000331	1	WIRE TIE, SMALL/SHORT

Comments for Page: Instrument Panel & Wire Harness - S/N 20125064 & HIGHER

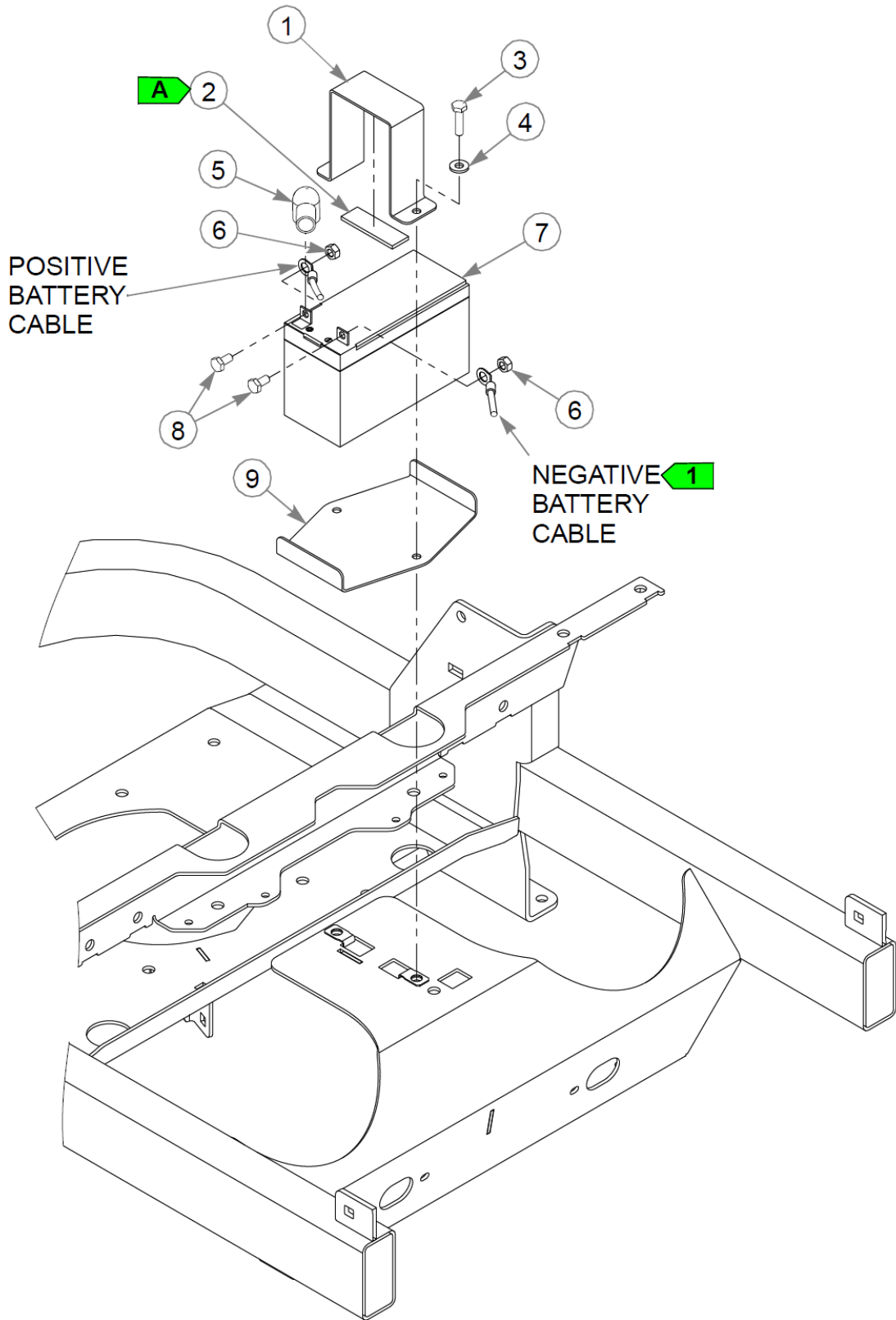
1. The instrument panel includes the decal.



Item	Part No.	Qty	Name
1	776476	1	SWITCH, PTO 6201-321
2	785808	1	KEY ASSEMBLY
3	769166	1	HOUR METER
4	045898	1	IGNITION SWITCH
5	555705	1	SVC, INSTRUMENT PANEL
6	607973	1	DECAL, INST PANEL
7	601097	1	CABLE, CHOKE
8	601098	2	CB 10-24 X .500 ZYNC
9	605473	2	CS .250-20X0.75 BH TX BZ
10	605628	2	FW 0.281X.63X.07 ZB
11	601096	1	CABLE, THROTTLE
12	704932	2	FW 0.219X.50X.05 ZN
13	059832	2	NT #10-24 HX NL ZN
14	601982	2	CN .250-20X .150 MAX THK
15	607950	1	WIRE HARNESS

Comments for Page: Instrument Panel & Wire Harness - S/N PRIOR TO 20125064

1. The instrument panel includes the decal.



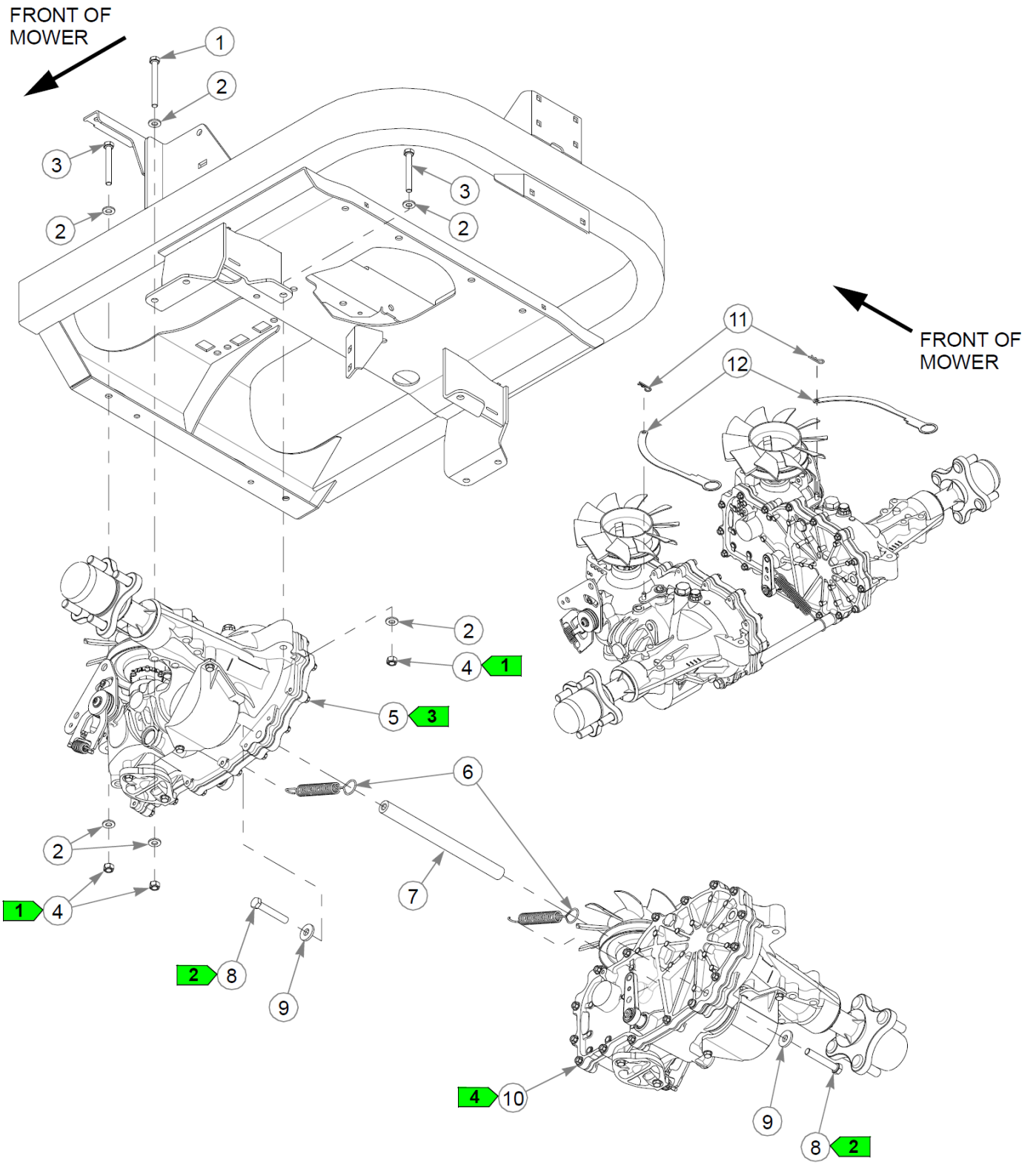
Item	Part No.	Qty	Name
1	126384-1	1	BATTERY HOLD DOWN
2	033035P	1	WEATHERSTRIP .12X.75 - 2FT
3	056077	2	CS .250-20X1.000HXG5
4	768515	2	FW 0.281SAE
5	601319	1	POS. BATTERY CABLE BOOT
6	024927	2	NT .250-20HXG5
7	607723	1	BATTERY, AGM 12V 9AMH
8	055947	2	CS .250-20X0.50 HX G5 ZN
9	126383-1	1	BATTERY BASE

Comments for Page: Battery

1. When performing service on the mower, disconnect the negative battery cable (black) and do not reconnect it to the battery until ready to start the engine.

WEATHERSTRIP LENGTH

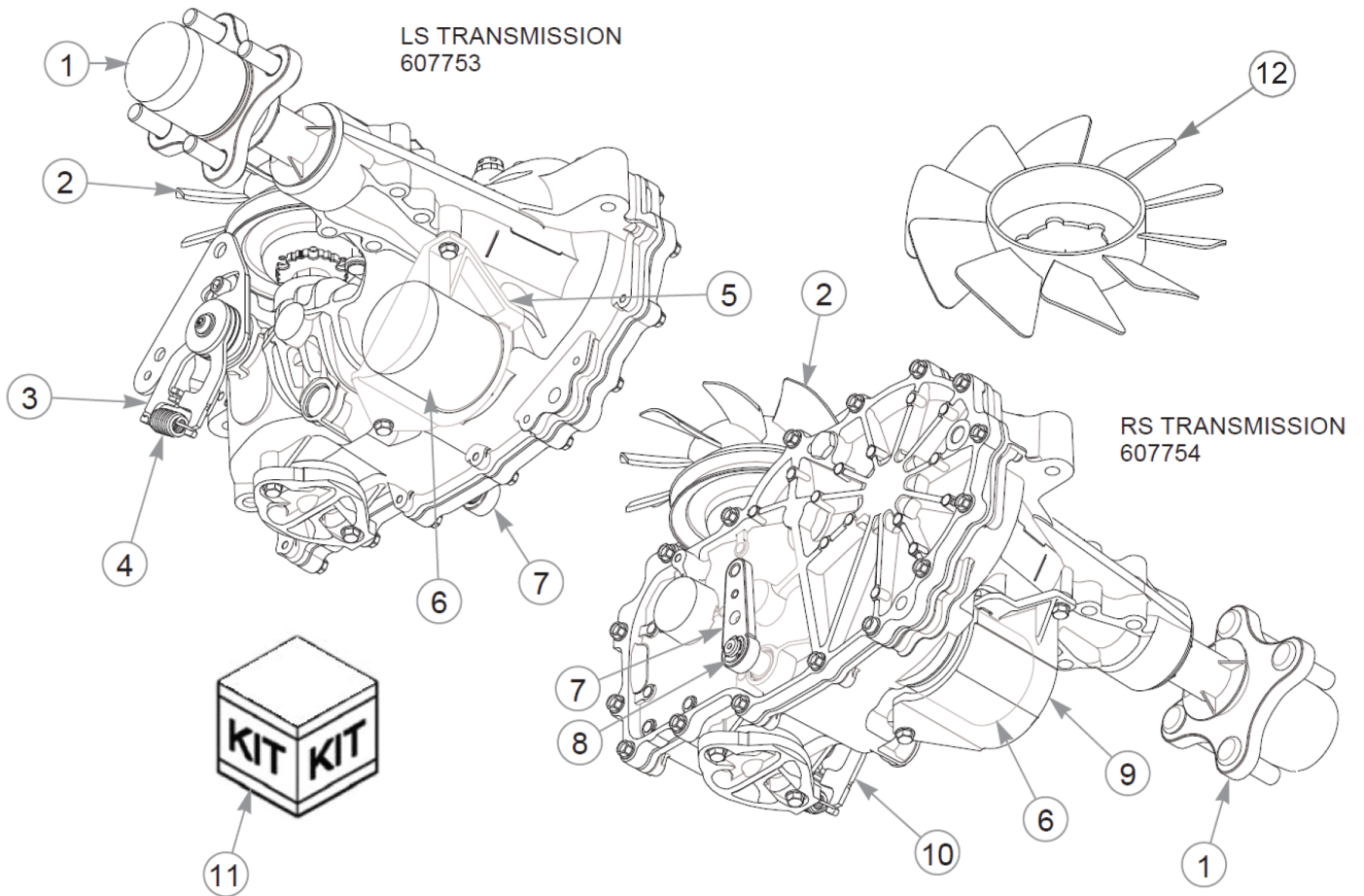
A: 2.35"



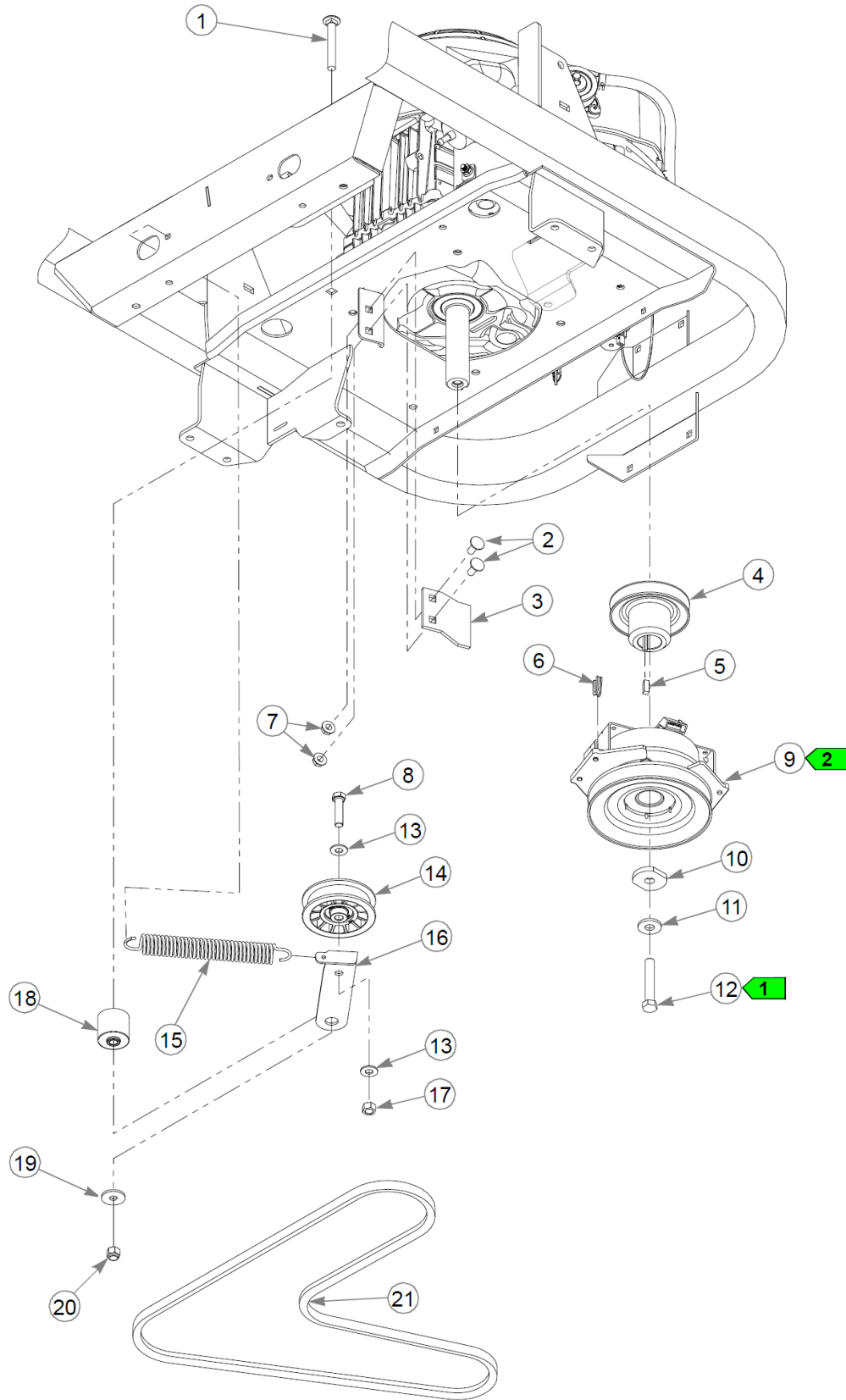
Item	Part No.	Qty	Name
1	043067	4	CS .312-18X3.000HXG5
2	768523	16	FW 0.343SAE
3	710087	4	CS .312-18X2.500HXG5
4	058776	8	NT .312-18NLG5
5	607753	1	ZT3100, 20.69:1 TRANS
6	607944	2	SPRING, BRAKE BIAS
7	607836	1	TORSION ROD, RSD
8	608241	2	CS .375-16X2.250HXG8
9	767954	2	FW 0.379X.82X.06 HD ZN
10	607754	1	ZT3100, 20.69:1 TRANS
11	706549	2	HP0.080X1.190
12	607826-1	2	LINK, TOW VALVE

Comments for Page: Transmissions

1. Torque to 17 ft-lbs.
2. Torque to 44 ft-lbs.
3. Left side transmission.
4. Right side transmission.



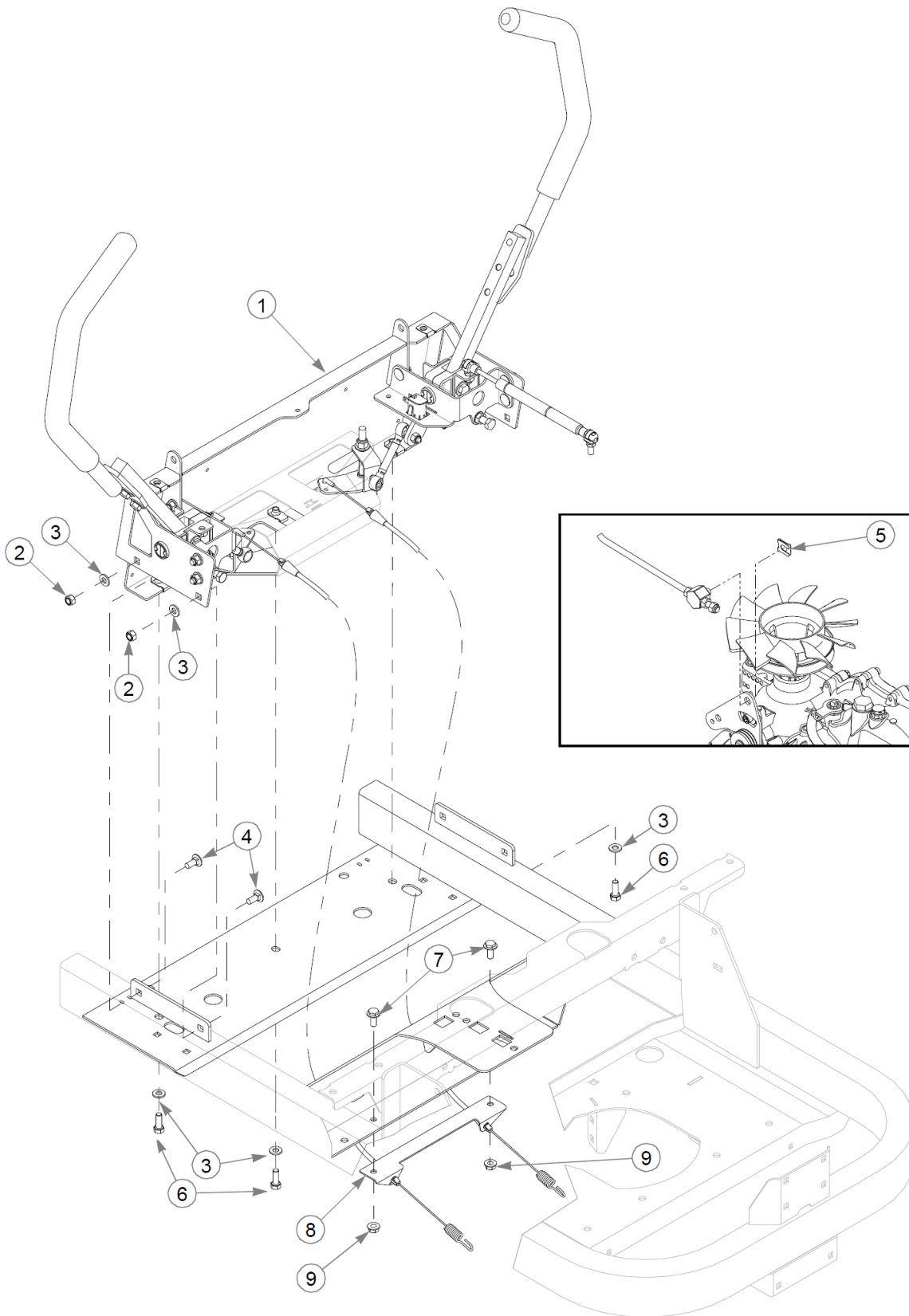
Item	Part No.	Qty	Name
1	601433	1	KIT, HUB 4 BOLT
<p>Comments for Part Num. 601433</p> <p>CUSTOMER SERVICE NOTE: Lug Studs are not sold separately.</p>			
2	601941	1	FAN/PULLEY KIT
3	604902	1	HG RTN CCW
4	604903	1	HG RTN SPRING
5	600975	1	GUARD, TRANS FILTER
6	600976	1	HYDRAULIC OIL FILTER
7	601221	1	ZT2800 BRAKE ARM - 2007
8	600972	1	CLIP, RETAINING
9	600974	1	GUARD, TRANS FILTER
10	604901	1	HG RTN CW
11	607199	1	SEAL KIT
12	607728	1	FAN - 7.0" (10 BLADE)



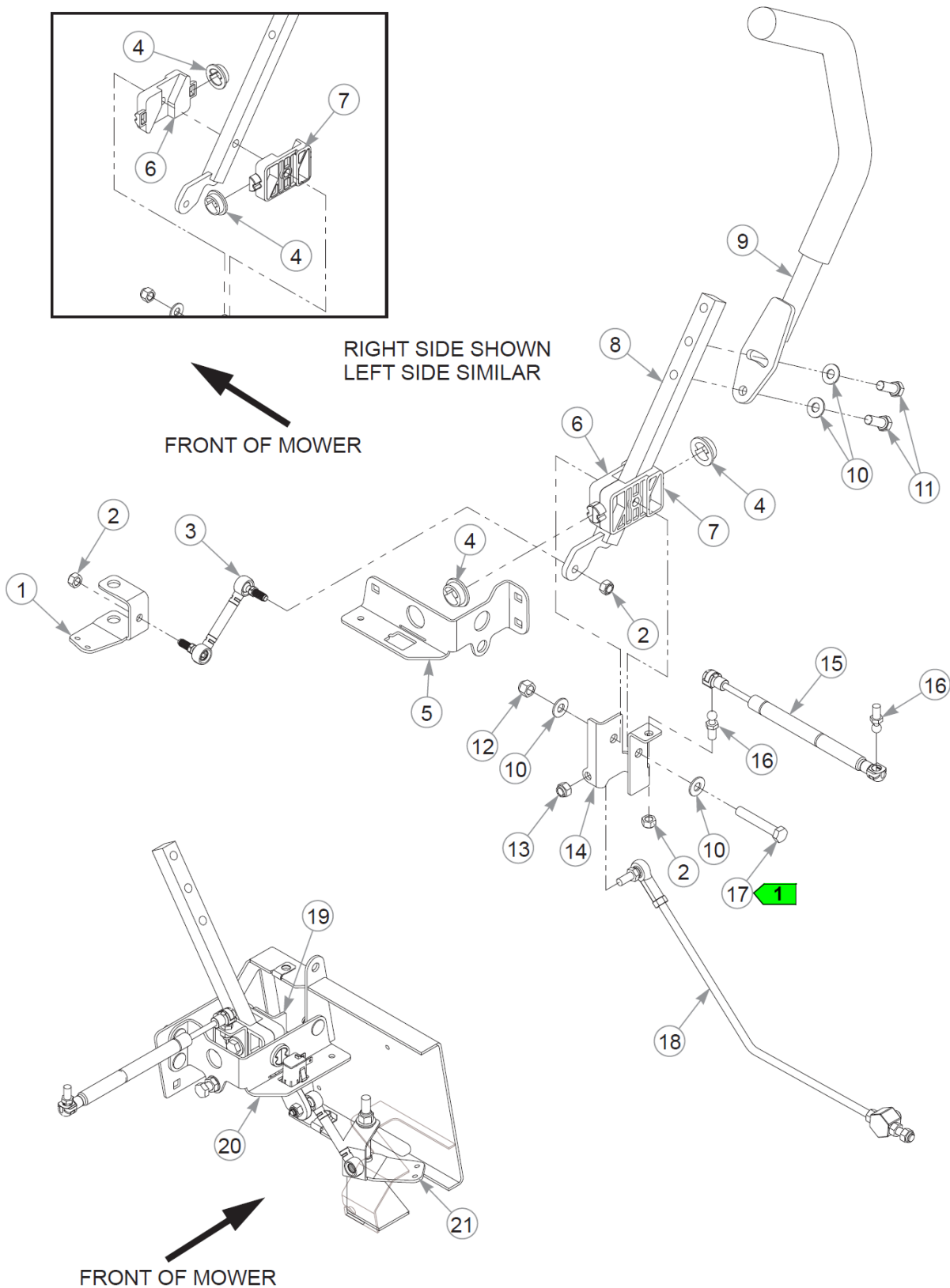
Item	Part No.	Qty	Name
1	601887	1	CB .375-16 X 2.75 G5
2	016253	2	CB .312-18X .750 FUL ZN
3	126203-1	1	CLUTCH ANCHOR
4	607761	1	PULLEY, ENG 4.118OP
5	712372	1	KEY 1/4 SQ X 0.66 LG(FS)
6	607827	1	BUSHING, CLUTCH
7	016832	2	NT .312-18FLKG5
8	080655	1	CS .375-16X1.500HXG5
9	607757K	1	KIT, CLUTCH
10	607828	1	FW .468X1.625X.25 DD
11	602680	1	FW .453X1.12X.12 HRD ZN
12	785659	1	CS .437-20X2.50 HXG5ZN
13	076422	2	FW 0.406X1.00X.06 ZN
14	607163	1	PULLEY, 3" FLAT POLY
15	607585	1	SPRING, EXTENSION
16	607837	1	TENSIONER
17	054502	1	NT .375-16HXG5
18	607763	1	SPACER, PIVOT IDLER
19	712893	1	FW 0.406X1.25X.12 HD ZN
20	086660	1	NT .375-16NLG8
21	607830	1	DRIVE BELT

Comments for Page: Drive Belt & Clutch

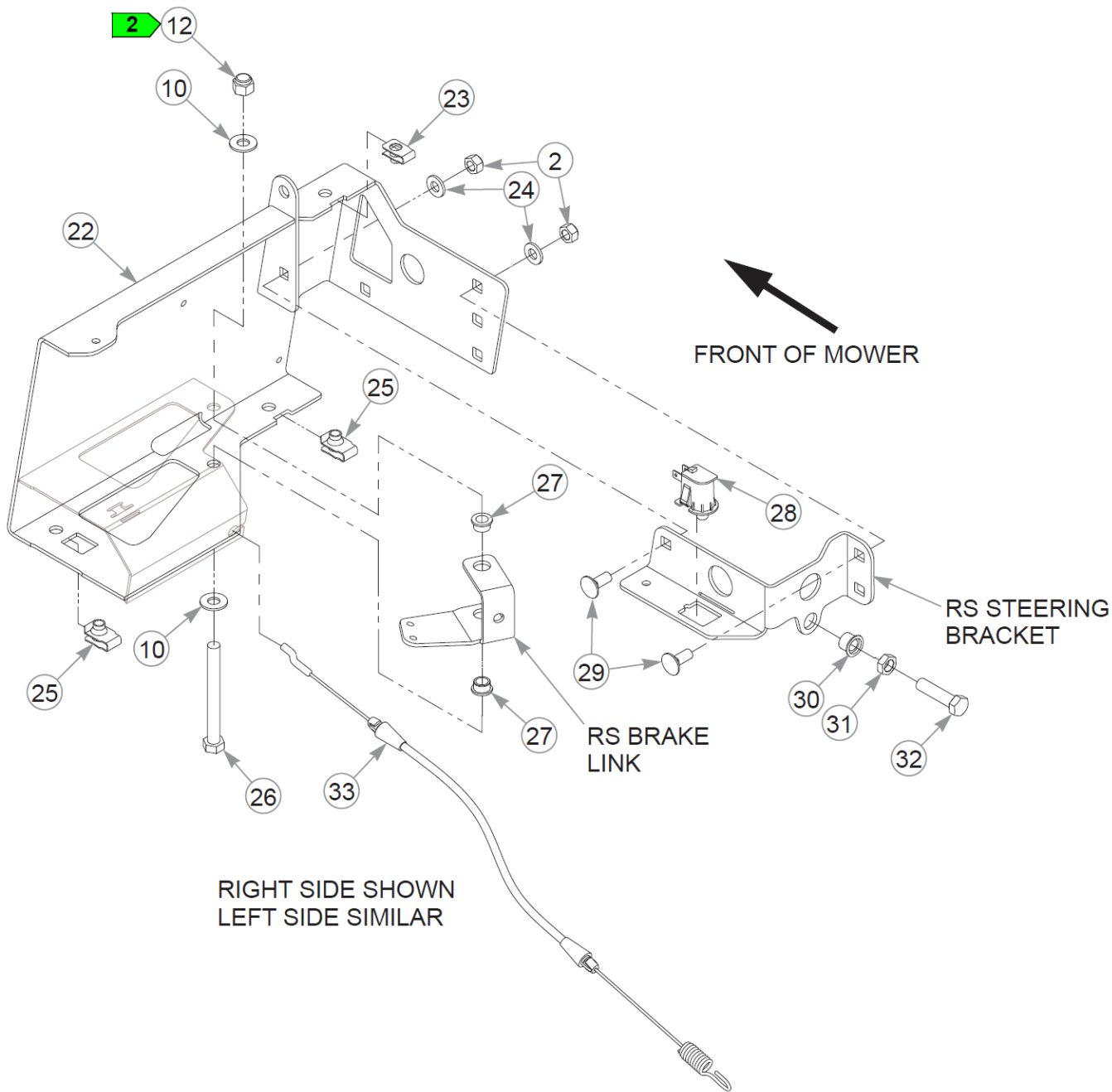
1. Torque the cap screw to 45–48 ft-lbs.
2. Clutch pigtail a part of the wire harness.



Item	Part No.	Qty	Name
1		1	REFER TO "STEERING COVER ASSEMBLY"
2	058776	4	NT .312-18NLG5
3	768523	7	FW 0.343SAE
4	016253	4	CB .312-18X .750 FUL ZN
5	606575	2	CLIP, SAFETY
6	064014	3	CS .312-18X0.875HXG5
7	029710	2	CS .312-18X .750 HXFLK
8	126365-1	1	MOUNTING BRKT BRAKE CABL
9	016832	2	NT .312-18FLKG5



This page intentionally left blank



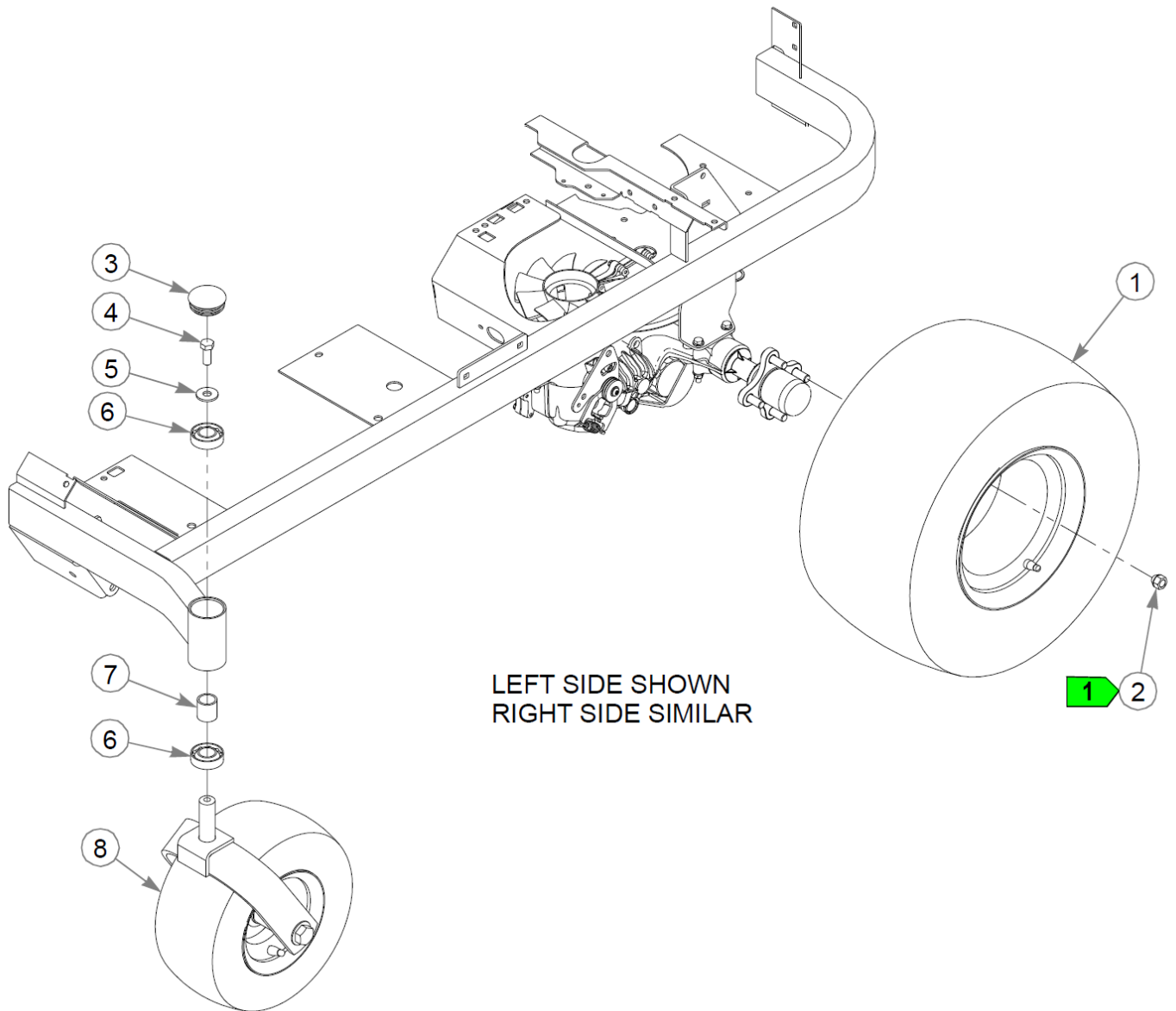
Item	Part No.	Qty	Name
1	126362-1	1	BRAKE CRANK RIGHT
2	058776	12	NT .312-18NLG5
3	604179	2	BRAKE LINK
4	607078	4	STEERING BUSHING
5	126360-1	1	STEERING BRACKET RIGHT
6	607077	2	STEERING BLOCK A
7	607076	2	STEERING BLOCK B
8	607957-4	2	STEERING LEVER W/A
9	607069	2	STEERING BAR W/A
	781260	1	GRIP, STEERING BAR
10	767954	12	FW 0.379X.82X.06 HD ZN
11	036244	4	CS .375-16X1.00 HX G5 ZN
12	086660	4	NT .375-16NLG8
13	023655	2	NT 0.312-24 NL G8
14	126361-1	1	STEERING LINKAGE MOUNT
15	603983	2	DAMPER
16	781922	4	BALL STUD
17	056036	2	CS .375-16X2.250HXG5
18	607938	2	STEERING ROD S/A
19	126359-1	1	STEERING LINKAGE LEFT
20	126358-1	1	STEERING BRKT LH
21	126363-1	1	BRAKE CRANK LEFT
22	126357-6	1	STEERING COVER W/A
23	601982	2	CN .250-20X .150 MAX THK
24	768523	6	FW 0.343SAE
25	601069	3	CN .312-18x.200 MAX THK
26	005108	2	CS .375-16X3.500HXG5
27	765339	4	BUSHING,IGUS#0608 (FS)
28	793315	2	SWITCH, SNAP MOUNT
Comments for Part Num. 793315			
1. Torque to 11 ft-lbs.			
2. Do not torque; the brake bell crank must pivot freely.			
2. The steering arms include the grips.			
29	016253	6	CB .312-18X .750 FUL ZN
30	808493	2	RIVET NUT, 3/8-16 THREA

This page intentionally left blank

Item	Part No.	Qty	Name
31	706168	2	NT .375-16JAMG5
32	604365	2	CS .375-12X1.50 HX G5 ZN
33	607965	2	BRAKE CABLE

Comments for Page: Steering Assembly (Multi-Page)

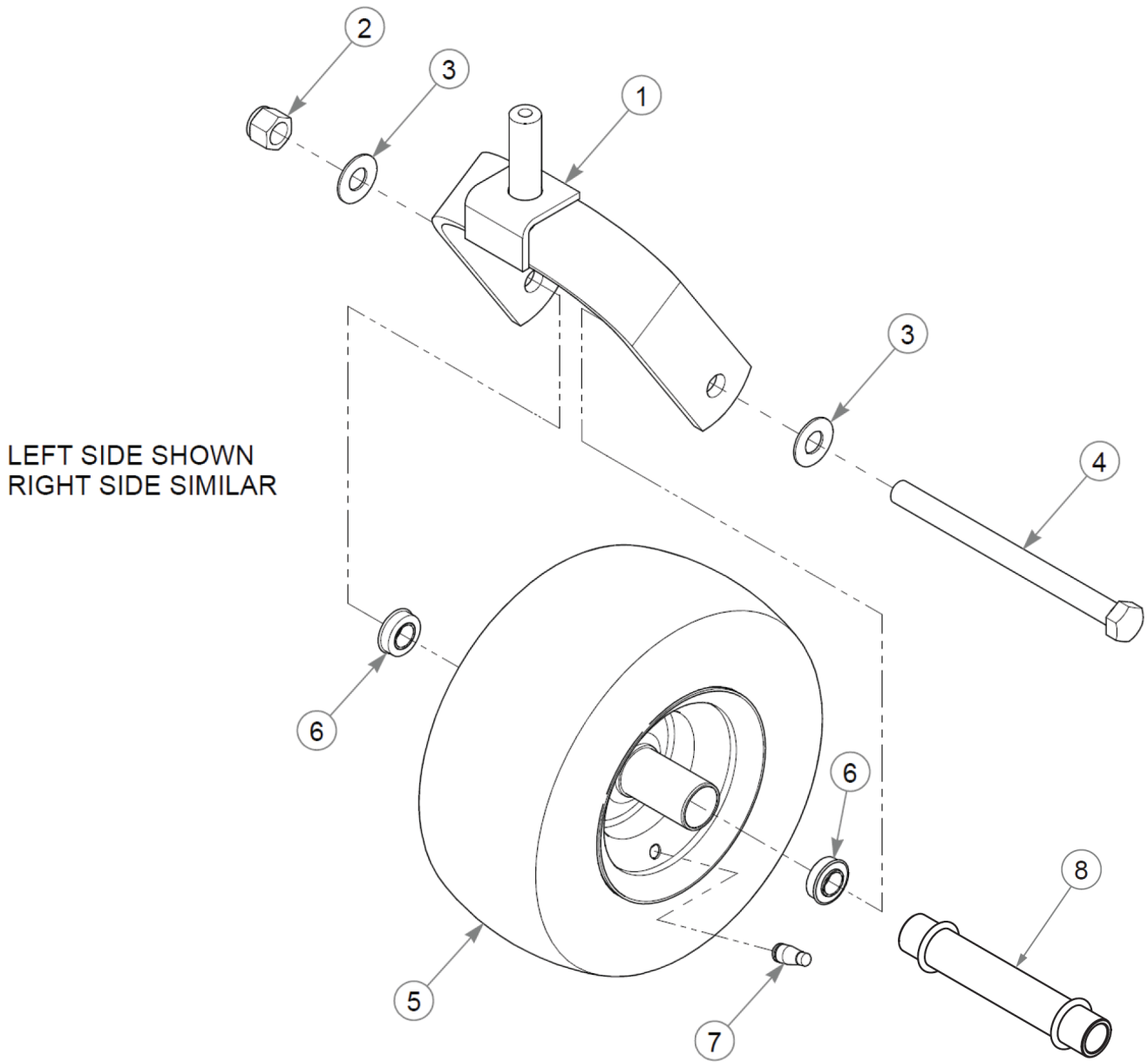
1. Torque to 11 ft-lbs.
2. Do not torque; the brake bell crank must pivot freely.
2. The steering arms include the grips.



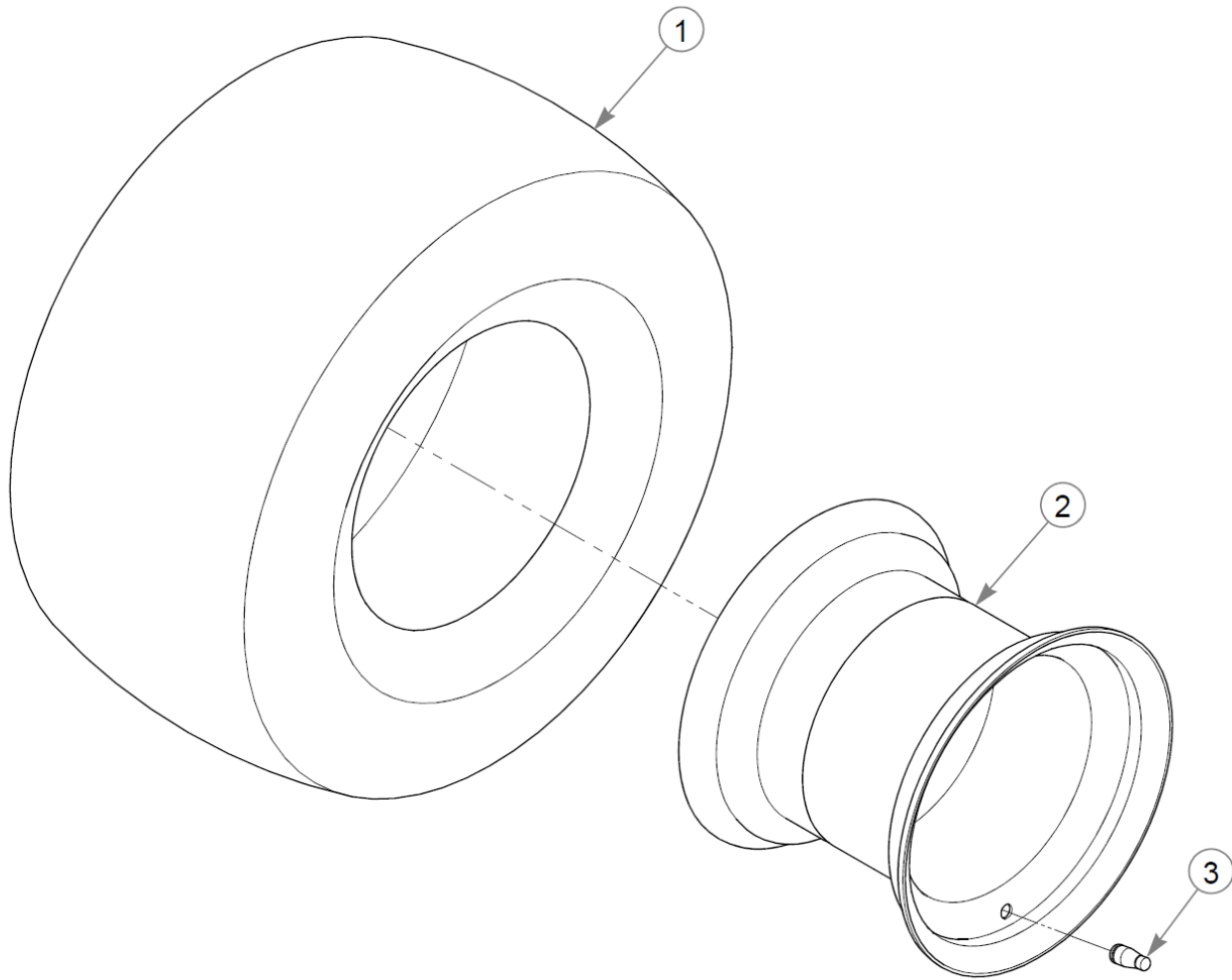
Item	Part No.	Qty	Name
1	609118	2	TIR/WHL 22X11.00-10 BLK
2	061077	8	WHEEL NUT
3	607831	2	BEARING CAP
4	705954	2	CS .500-13X1.25 HX G5 ZN
5	712976	2	FW 0.531X1.38X.12 ZN
6	784223	4	BEARING
7	784603	2	SPACER
8		1	LS FRONT TIRE SUB-ASSEMBLY
9		1	RS FRONT TIRE SUB-ASSEMBLY (NOT SHOWN)

Comments for Page: Wheels & Tires

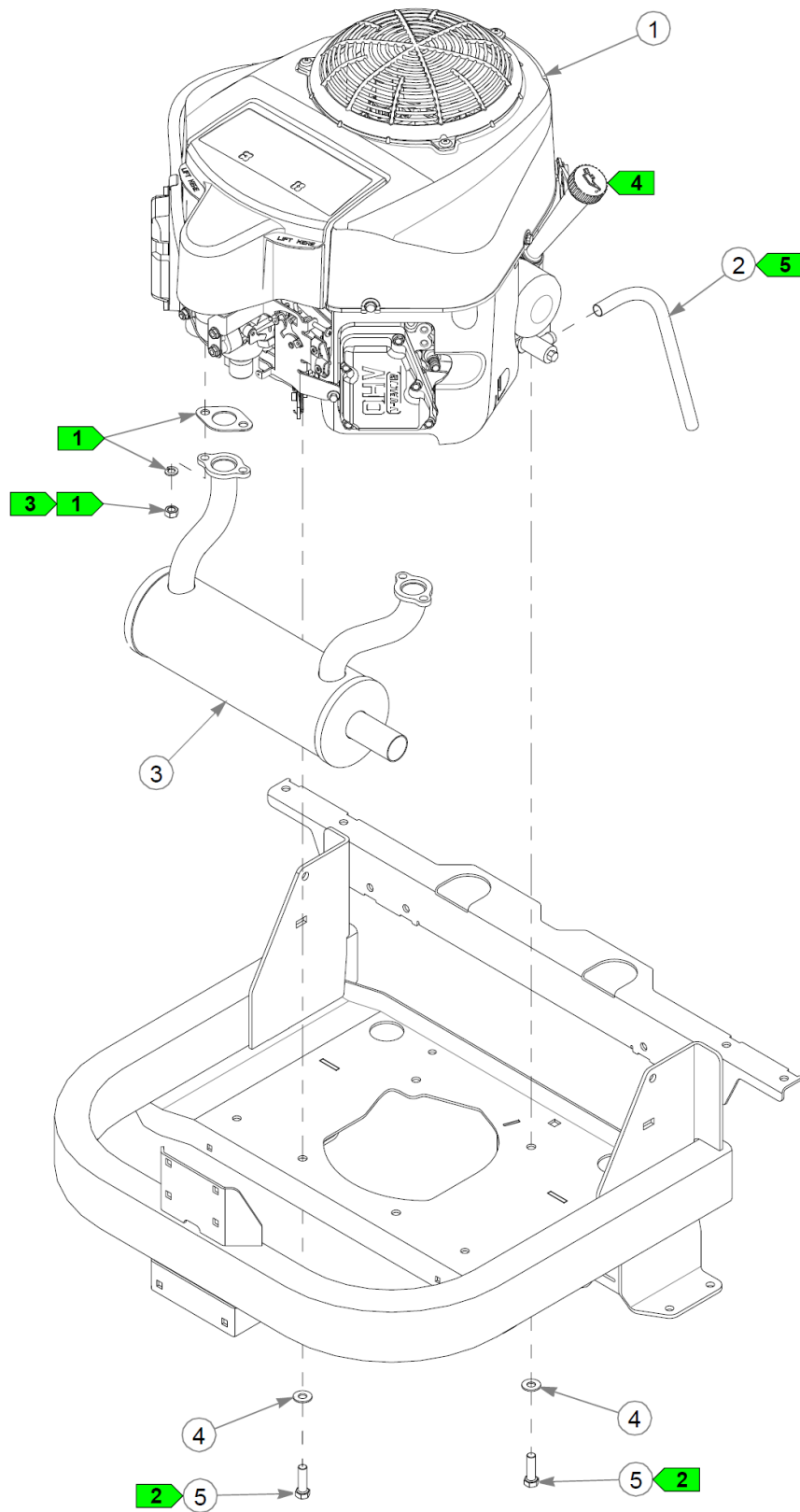
1. Torque to 65–75 ft-lbs.



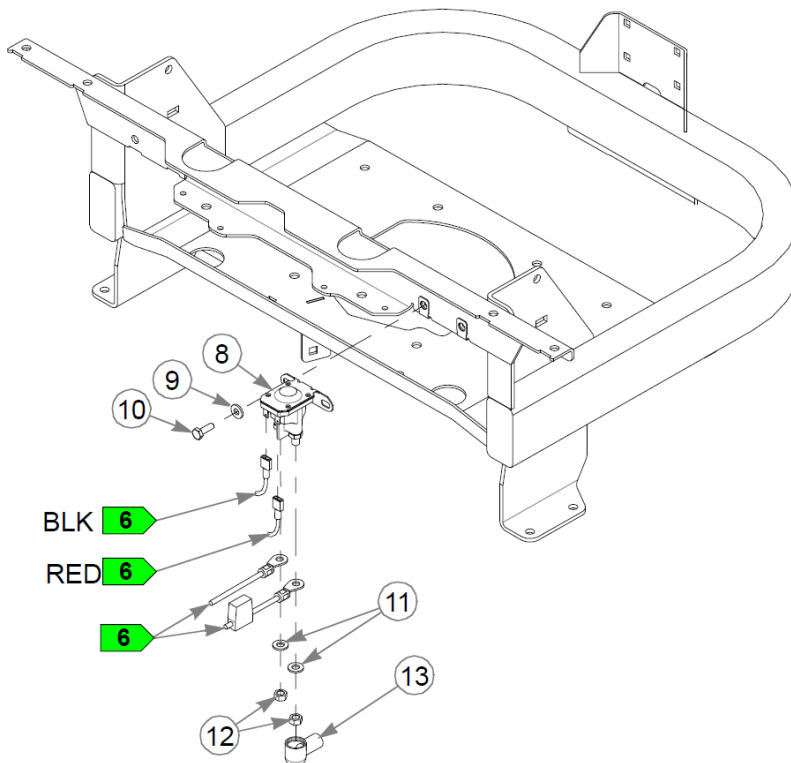
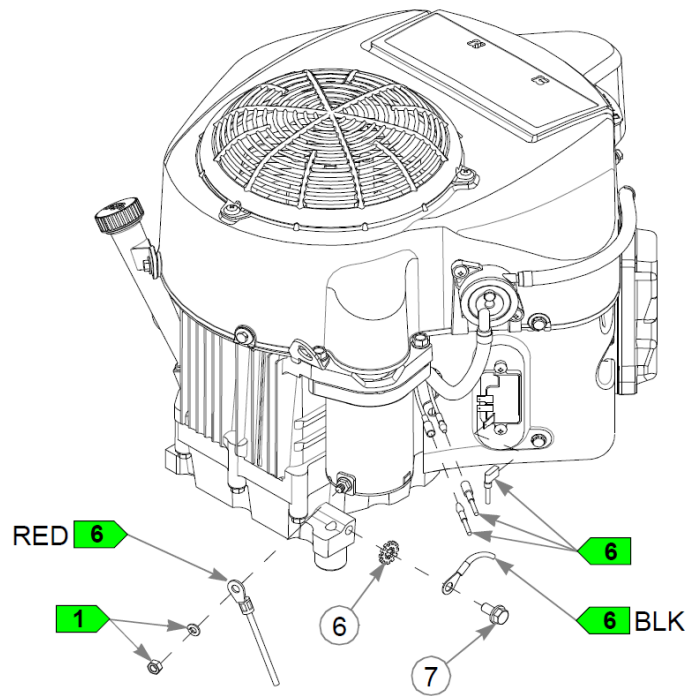
Item	Part No.	Qty	Name
1	604691	1	FORK W/A
2	061101	1	NT .750-10 HX ZN NL GR B
3	025296	2	FW .760X1.63X0.08 ZN
4	041475	1	CS .750-10X9.50 HX G5 ZN
5	605035	1	TIR/WHL 13X6.50-6 BLK
6	604845	2	BEARING, WHEEL SEALED
7	019521	1	TIRE VALVE TR-412 GOODY
8	609391	1	SPACER, WHEEL



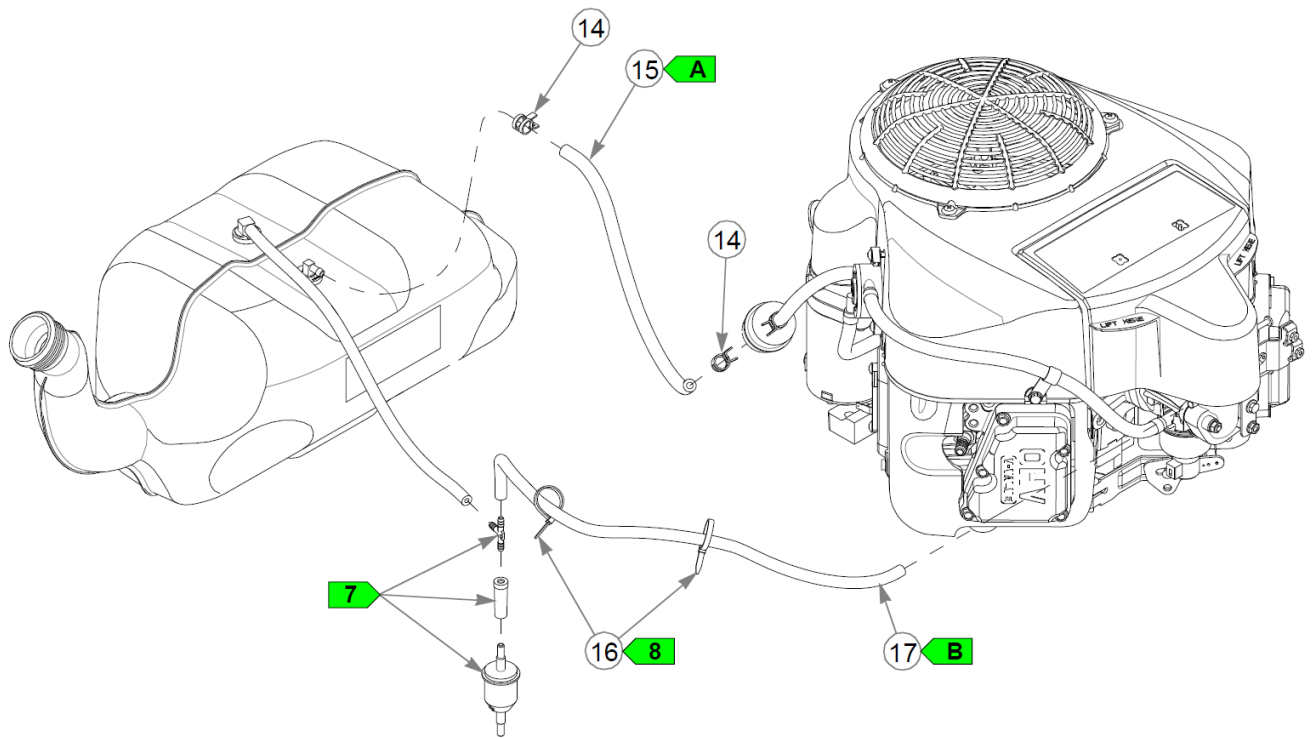
Item	Part No.	Qty	Name
1	607100	1	22X11.00-10 B4R BIG BITE TIRE
2	603737	1	WHL 10X8.50 4X4.0 BLK
3	019521	1	TIRE VALVE TR-412 GOODY



This page intentionally left blank



This page intentionally left blank



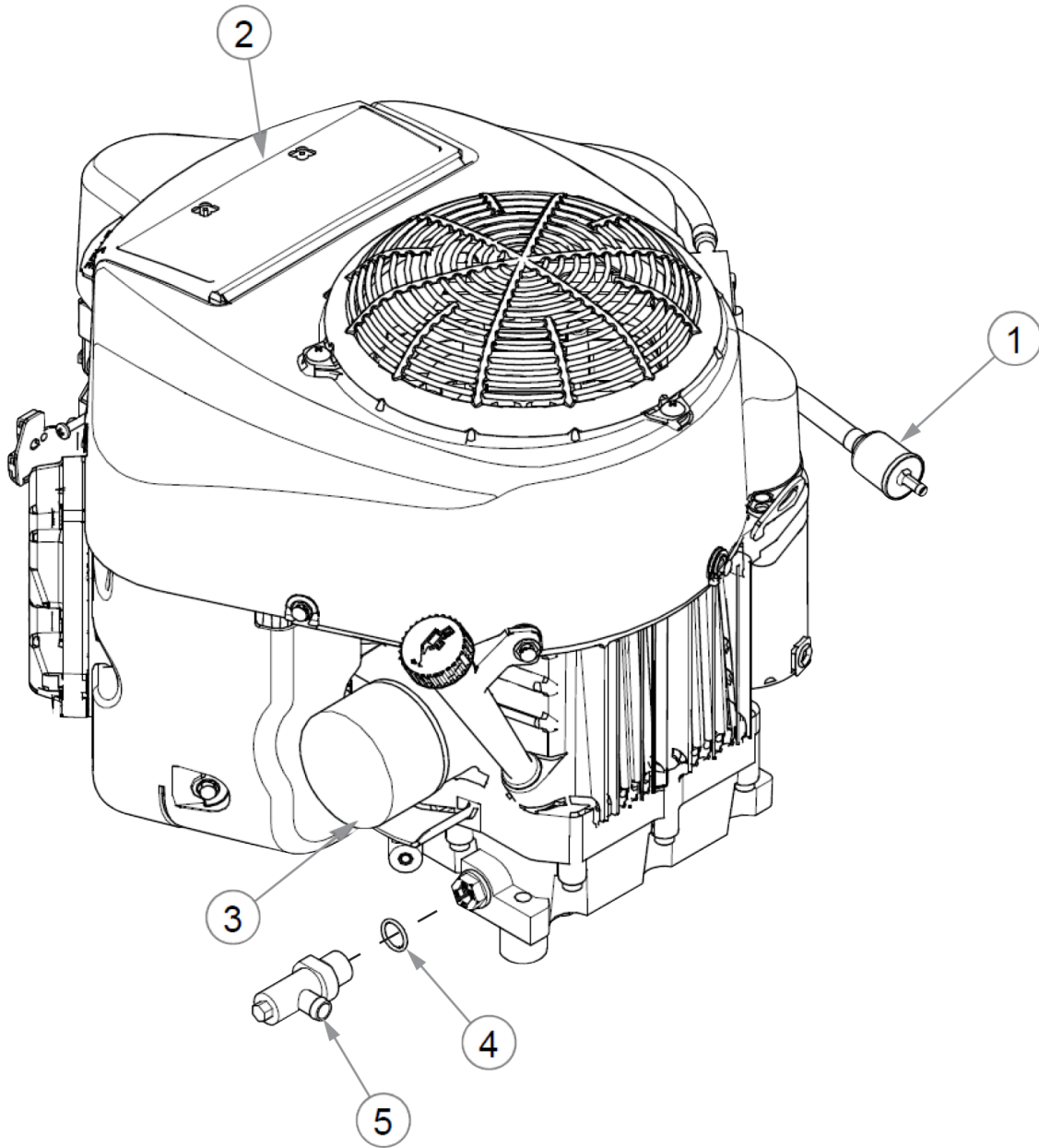
Item	Part No.	Qty	Name
1		1	ENGINE, KAW FR691V
2	604463P	1	HOSE, OIL DRAIN - 1 FT
3	607854	1	MUFFLER
4	767954	4	FW 0.379X.82X.06 HD ZN
5	602580	4	CS .375-16X1.25HXG8FTZN
6	029876	1	LW .312 INTEXT ZN
7	720516	1	CS M8-1.25X16HX FL10.9
8	606445	1	STARTER SOLENOID
9	768515	4	FW 0.281SAE
10	055939	2	CS .250-20X0.75 HX G5 ZN
11	768523	1	FW 0.343SAE
12	041152	2	NT .312-24 HX G8
13	601319	1	POS. BATTERY CABLE BOOT
14	000323	2	CLIP, HOSE CLAMP
15	015818P	1	FUEL LINE, 1/4" - 6 FT
16	000331	2	WIRE TIE, SMALL/SHORT
17	603326P	1	VAPOR LINE, 3/16" - 7 FT

Comments for Page: Engine & Muffler (Multi-Page)

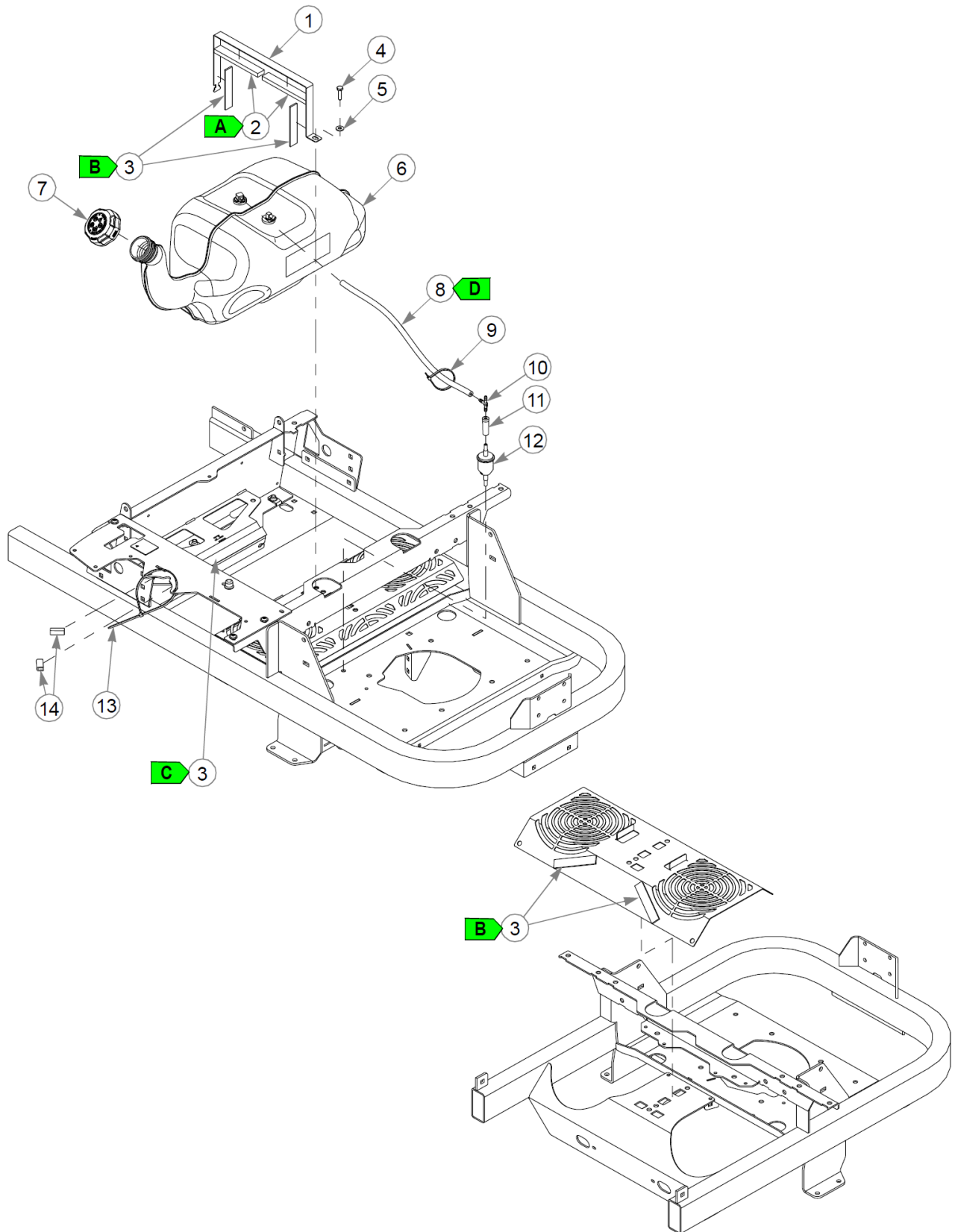
1. Supplied with the engine.
2. Torque the cap screw to 30–35 ft-lbs.
3. Torque to 17 ft-lbs.
6. Part of the wire harness.
7. Part of the fuel system.

FUEL & VAPOR LINE LENGTHS

- A: 13" - TANK TO FUEL FILTER (FUEL)
- B: 26" - ENGINE TO TEE (VAPOR)



Item	Part No.	Qty	Name
1	068478	1	FUEL FILTER - IN LINE
2	603059	1	AIR FILTER - MAIN
3	602581	1	ENGINE OIL FILTER
4	604369	1	O-RING 16 MM
5	604350	1	VALVE, OIL DRAIN



Item	Part No.	Qty	Name
1	126202-1	1	YELLOW, TANK MOUNT
2	713198P	1	SEAL 3/8x3/4 - 6 FT
3	608040P	1	RUBBER STRIP - 7 FT
4	056077	1	CS .250-20X1.000HXG5
5	768515	1	FW 0.281SAE
6	607745	1	FUEL TANK ASSY
7	607731	1	CAP - 2.25" KELCH
8	603326P	1	VAPOR LINE, 3/16" - 7 FT
9	000331	1	WIRE TIE, SMALL/SHORT
10	605690	1	TEE, 3/16" PLASTIC
11	605564	1	BOOT, 3/16 TO 3/16
12	604323	1	VAPOR SYSTEM FILTER
13	000430	1	WIRE TIE, SMALL/LONG
14	604966	2	TRIM LOCK, 1.13"

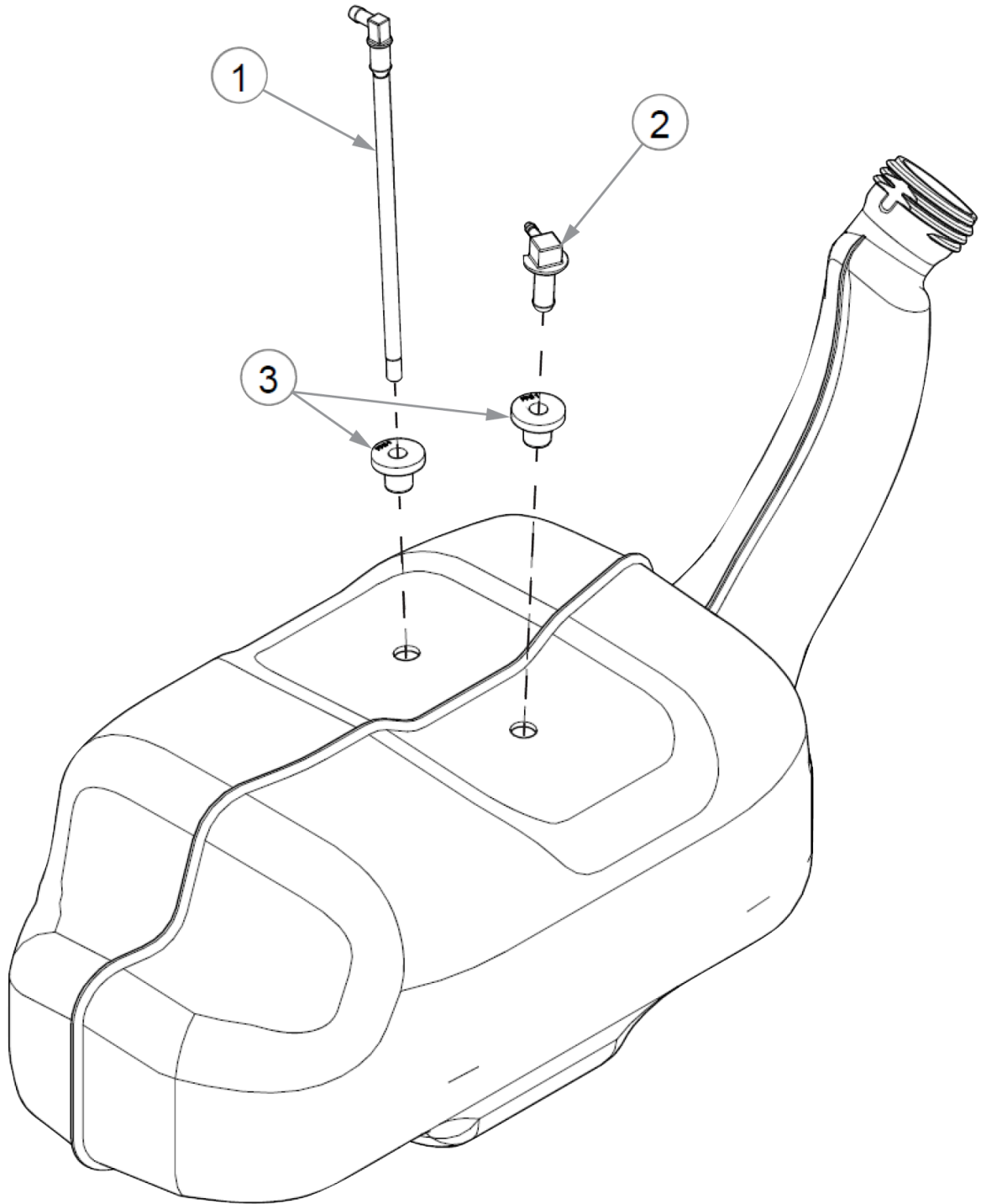
Comments for Page: Fuel System

SEAL/RUBBER STRIP LENGTH

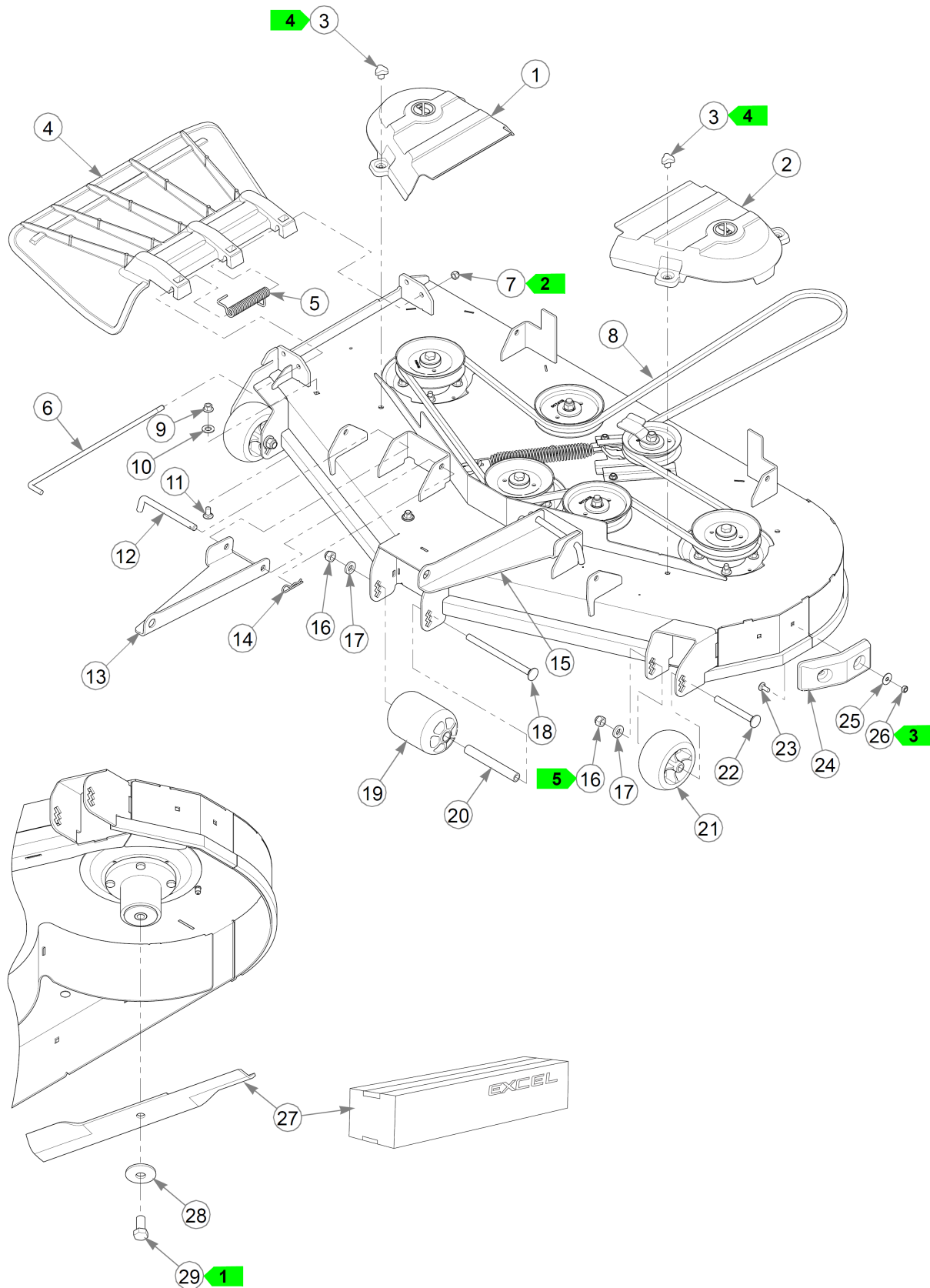
- A: 5"
- B: 4"
- C: 8"

VAPOR LINE LENGTH

- D: 16.5" TANK TO VAPOR TEE (VAPOR)



Item	Part No.	Qty	Name
	607745	1	FUEL TANK ASSY
1	605126K	1	SUCTION HOSE SVC KIT
2	604287K	1	VENT FITTING SVC KIT
3	604200K	2	GROMMET SVC KIT



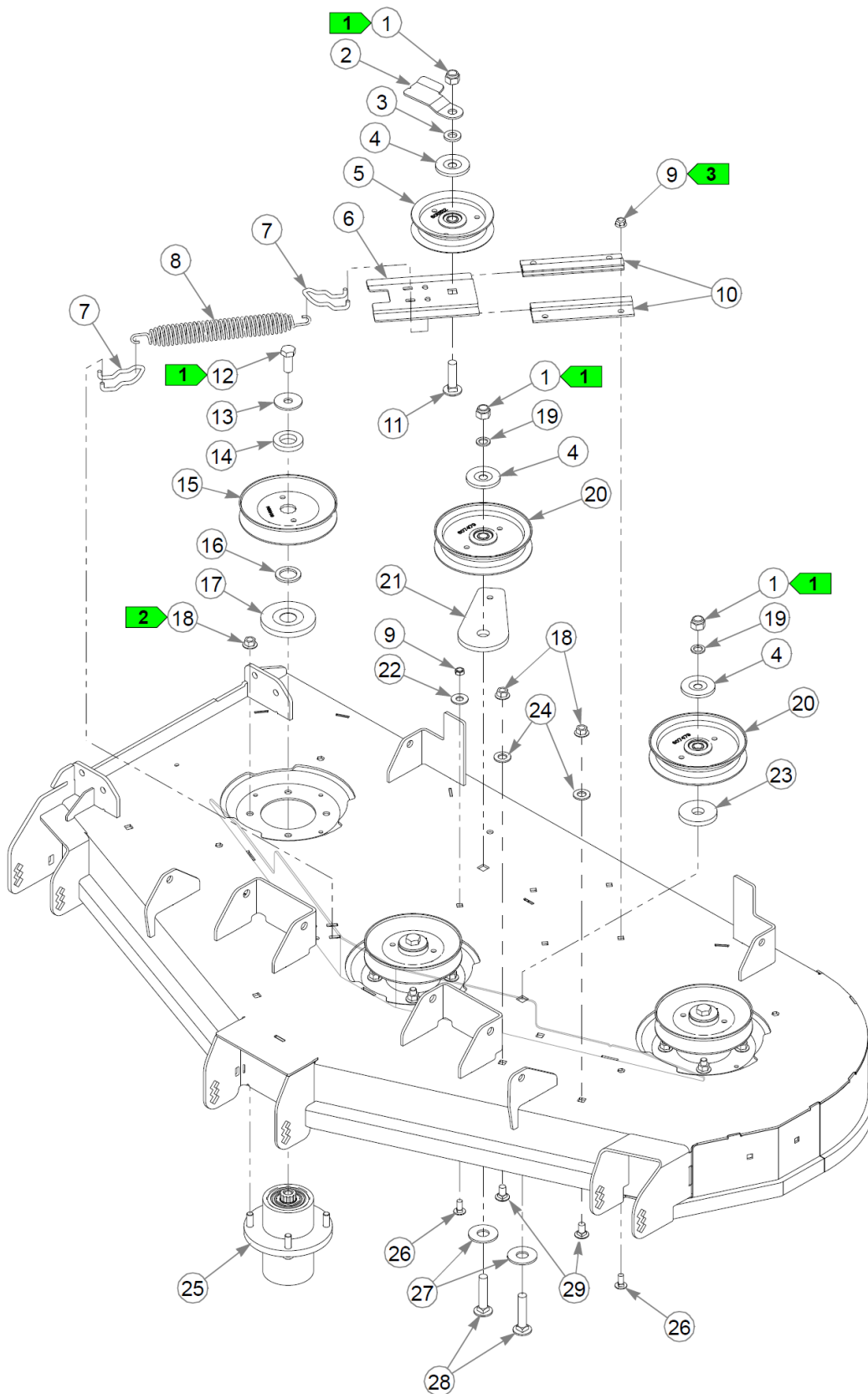
Item	Part No.	Qty	Name
1	607865	1	PULLEY COVER, RH
2	607866	1	PULLEY COVER, LH
3	607186	4	.25-20 FEMALE KNOB
4	605469	1	DISCHARGE CHUTE
5	602435	1	SPRING, TORSION
6	602432	1	PIN, CHUTE
7	086660	1	NT .375-16NLG8
8	777185	1	DECK BELT
9	604515	4	NT .375-16 FL NY GF
10	004168	4	FW .531x1.00x.090 ZN
11	011320	4	CB .375-16X .750 STD ZN
12	604658	2	PIN, PULLER
13	130037-1	1	PULLER, R
14	017301	2	HP .125 X2.375 ZN
15	130038-1	1	PULLER, L
16	781567	3	NT .500-13NLG5
17	767962	3	FW .531 x 1.063 x .175
18	602338	1	CB .50-13 X 7.50 STD ZN
19	602341	1	WHEEL, ANTI-SCALP
20	602344	1	SPACER, ANTI- SCALP 5.73
21	604780	2	WHEEL, ANTI-SCALP
22	602339	2	CB .50-13 X 4.50 STD ZN
23	016253	2	CB .312-18X .750 FUL ZN
24	605376	1	DECK BUMPER
25	079210	2	FW 0.344X1.0X0.06 ZN
26	604251	2	NT .312-18 HXNL JAM G2ZN
27	606251	3	BLADE, 18.50"-H-F-CW
	606251X	1	10PK BLADE 18.50"-H-F-CW
	797696	3	BLADE, F18.50"-H-F-CW
	797696X	1	10PACK OF BLADES F18.50"
	601012	3	BLADE F18.50"-L-F-CW
	601012X	1	10PK BLADE, F18.50-L-F-C
	797704	3	BLADE, 18.50"-MUL-F-CW
	797704X	1	10PK BLADE, 18.50"-MUL-F
	797712	3	BLADE, 18.50"-GAT-F-CW

This page intentionally left blank

Item	Part No.	Qty	Name
	797712X	1	10PK BLADE, 18.50"-GAT-F
28	782474	3	CW .678 X 2.250 X .187
29	781872	3	CS .625-11X1.250HXG5

Comments for Page: Deck Belt, Pulley Covers & Blades

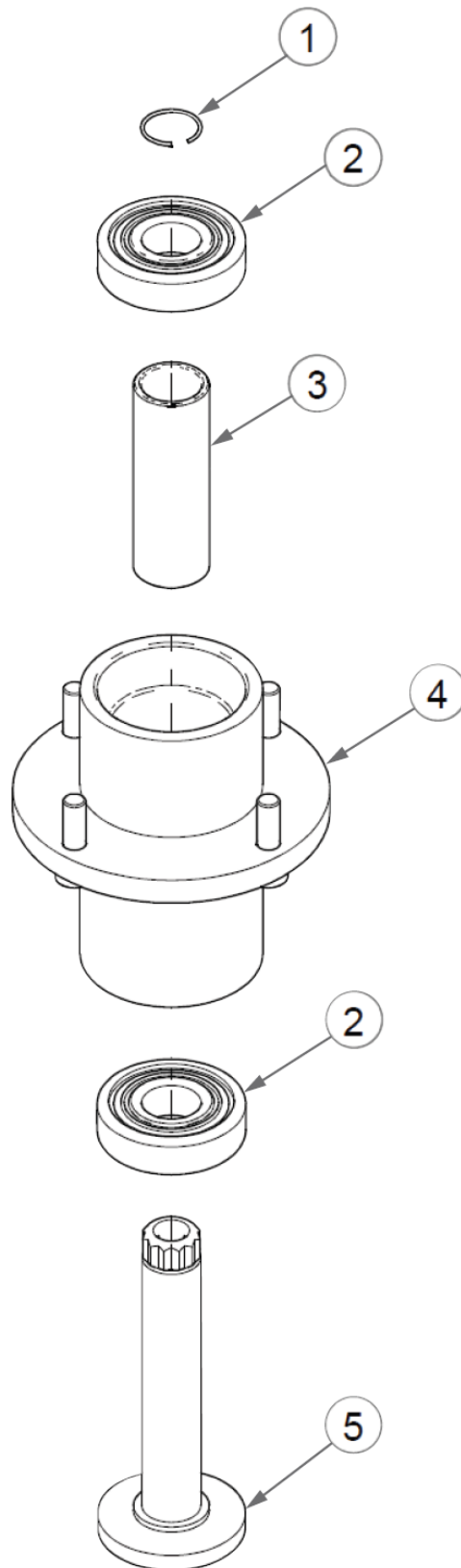
1. Torque to 118 ft-lbs.
2. Do not torque; the discharge chute must pivot freely.
3. Torque to 3–6 ft-lbs.
4. Torque to 15 in-lbs.
5. Tighten to remove play in the bolt; the anti-scalp wheel must pivot freely.
6. 604515, 004168 & 011320 are used on mowers S/N 21075257 & HIGHER.



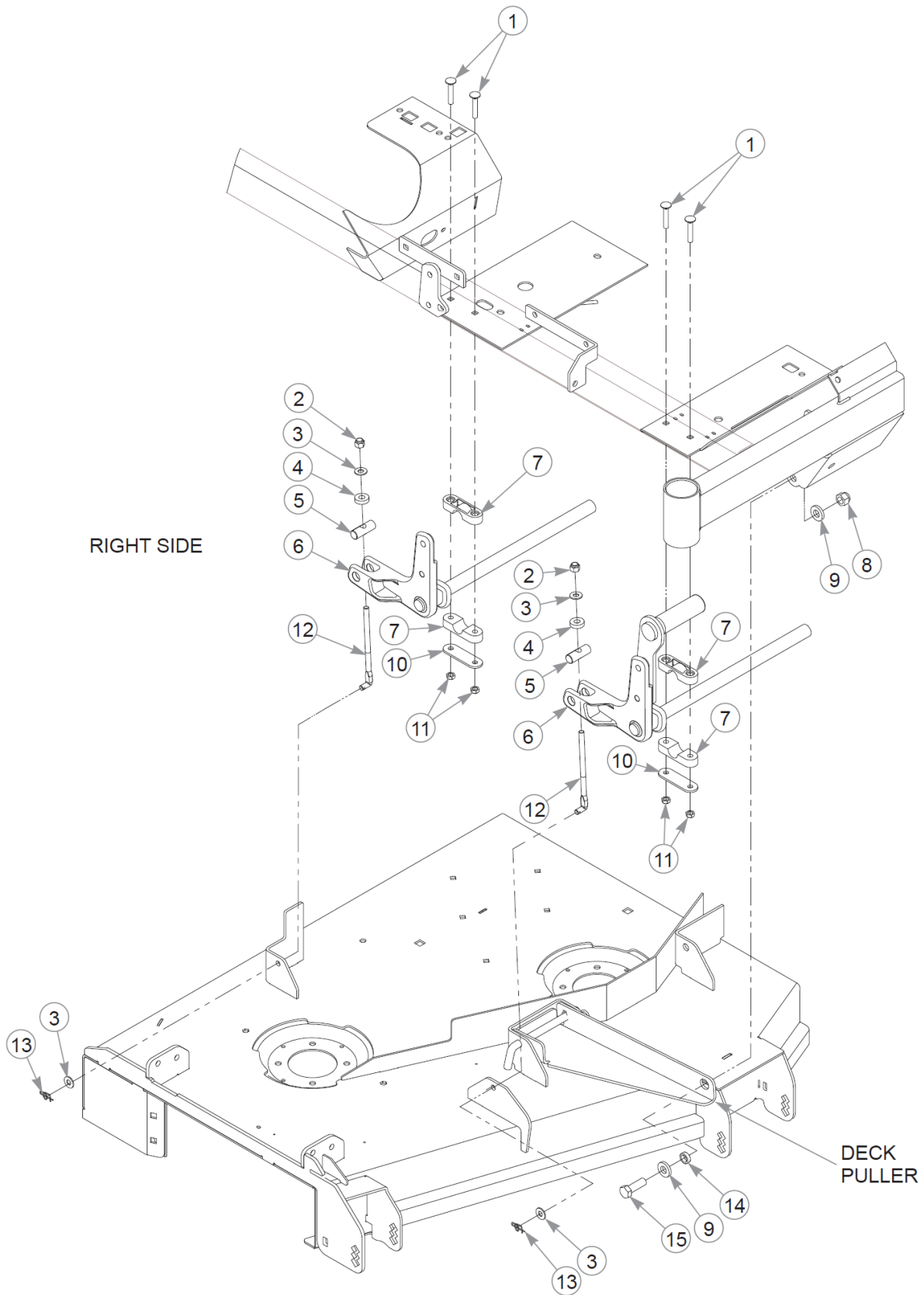
Item	Part No.	Qty	Name
1	781567	3	NT .500-13NLG5
2	125847-4	1	BELT GUIDE, 4.00" IDLER
3	607428	1	FW 0.531 X 0.90 X 0.134
4	605467	3	DUST SHIELD
5	605512	1	4" IDLER PULLEY
6	604194	1	SLED, IDLER
7	604110	2	ANCHOR, SPRING TENSIONER
8	607616	1	SPRING, DECK IDLER
9	608059	5	NT .312-18 FL NY G5
10	604079	2	IDLER SLIDE, EXTRUDED
11	604253	1	CB .50-13 X 2.00 STD ZN
12	705954	3	CS .500-13X1.25 HX G5 ZN
13	752386	3	CW .505 X 1.625 X .140
14	604777	3	SPINDLE SPACER
15	604664	3	PULLEY, DECK DRIVE B-SEC
16	045765	3	FW 1.030X1.50X.13 HD ZN
17	606362	3	DUST SHIELD
18	604515	14	NT .375-16 FL NY GF
19	604486	2	FW .531X.812X.089 HD
20	607479	2	IDLER PULLEY, 5.00"
21	605465	1	BASE, IDLER PULLEY MOUNT
22	017129	1	FW .440X1.00X0.08 ZN
23	605508	1	FW .73X2.25X.31 ZN
24	004168	2	FW .531x1.00x.090 ZN
25	607208	3	BLADE SPINDLE ASSY
26	016253	5	CB .312-18X .750 FUL ZN
27	608374	2	FW 0.719 X 1.75 X 0.125
28	604254	2	CB .50-13 X 2.50 STD ZN
29	011320	2	CB .375-16X .750 STD ZN

Comments for Page: Deck Pulleys & Spindles

1. Torque to 73 ft-lbs.
2. Torque to 30 ft-lbs.
3. Torque to 3–6 ft-lbs.

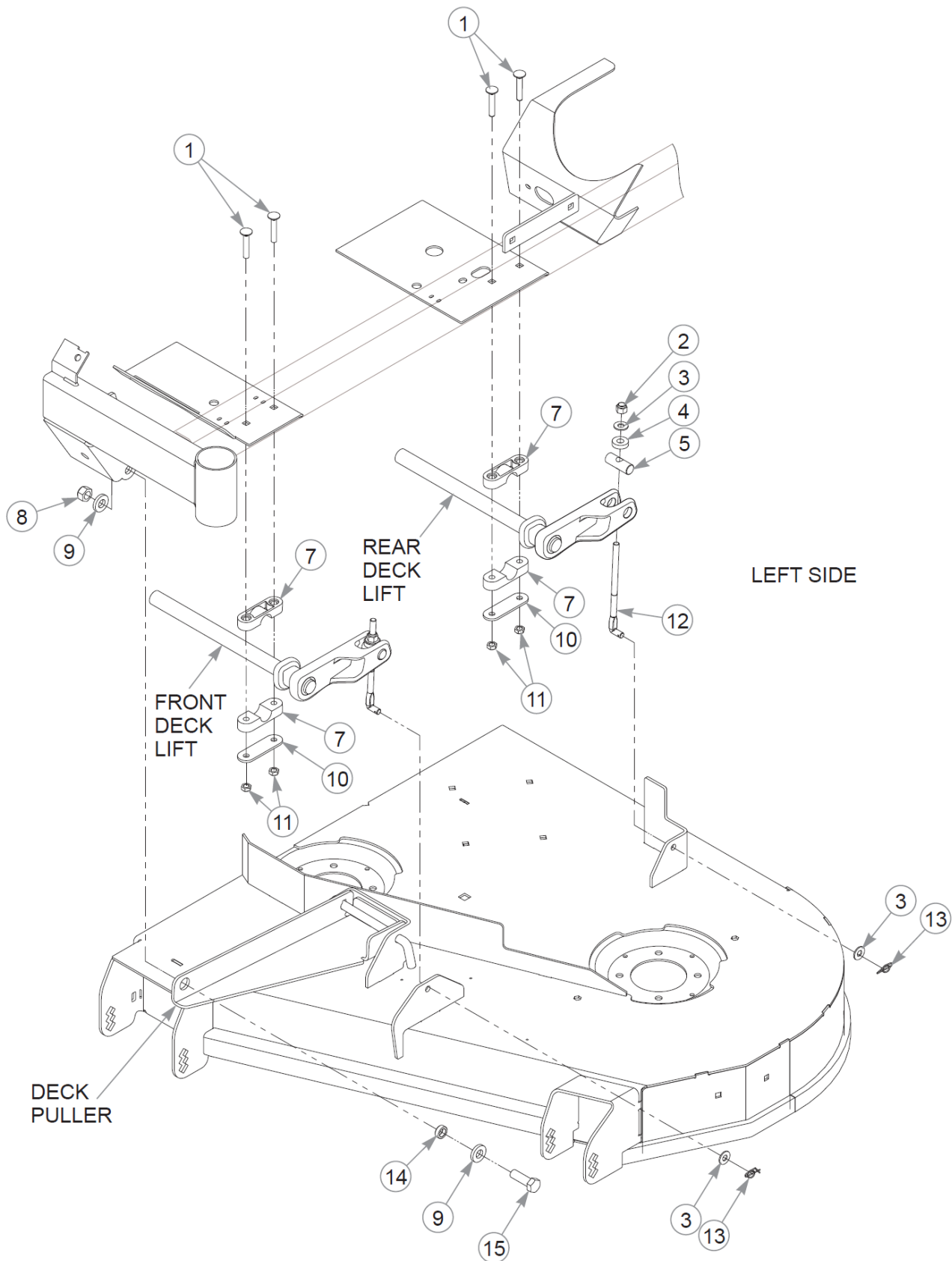


Item	Part No.	Qty	Name
	607208	1	BLADE SPINDLE ASSY
1	783548	1	RING, BLADE SPINDLE RET
2	607275	2	BLADE SPINDLE BEARING
3	607210	1	BLADE SPINDLE SPACER
4	607417	1	SVC, SPINDLE HOUSING
5	607211	1	BLADE SPINDLE SHAFT



This page intentionally left blank

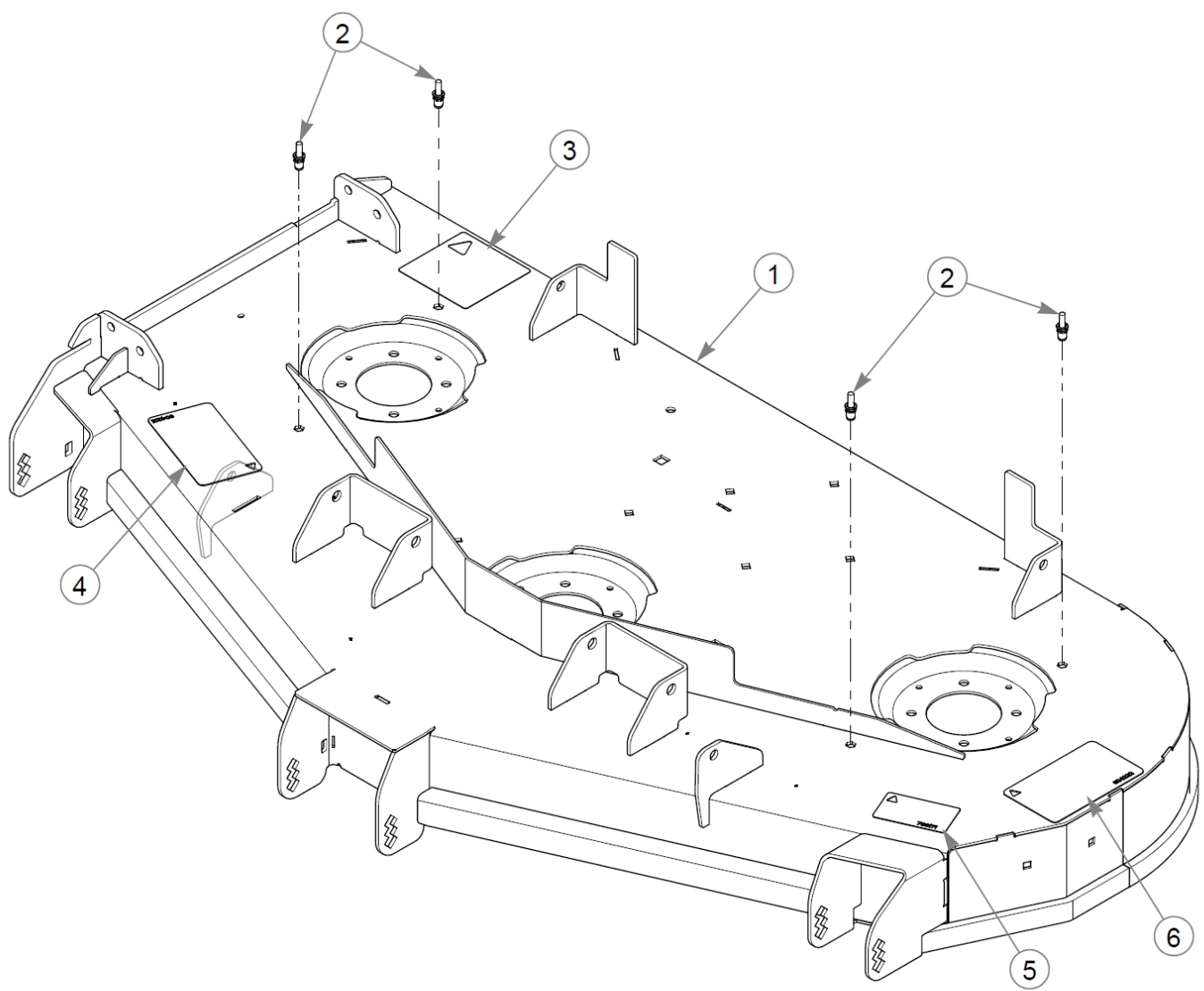
This page intentionally left blank



Item	Part No.	Qty	Name
1	771212	8	CB .312-18X 1.750 G5
2	086660	8	NT .375-16NLG8
3	767954	16	FW 0.379X.82X.06 HD ZN
4	605114	4	FW .41X.94X.25 UHMW
5	607970	4	PIVOT, DECK LIFT
6	126368-1	2	DECK LIFT W/A
7	607907	8	BUSHING, DECK LIFT
8	781567	2	NT .500-13NLG5
9	767962	4	FW .531 x 1.063 x .175
10	126369-1	4	SUPPORT, DECK HANGER
11	604251	8	NT .312-18 HXNL JAM G2ZN
12	607912	4	DECK HANGER
13	607093	4	CP, RUE RING .054 X .392
14	604656	2	PIVOT SPACER BUSHING
15	074252	2	CS .500-13X1.50 HX G5 ZN
16	768259	2	BUSHING,IGUS#0810 (FS)
17	605466	1	TRANSPORT LATCH
18	605470	1	CE .500X2.00X1.63
19	607039	1	PIN, .375X1.62 MAGNETIC
20	025395	2	CB .375-16X 1.00 G5 ZN
21	555703	1	SVC, DECK HEIGHT
22	793059	2	CLIP E,(1/2").80X.396X.
23	605538	1	DECAL, DECK HEIGHT
24	126377-1	1	SPRING ASSIST PLATE
25	126374-4	1	DECK LIFT LINK ZINC
26	118900	2	SPACER, DECK LIFT LINK
27	126370-1	1	DECK HEIGHT BRACKET
28	607971-1	1	PEDAL W/A
29	705160	4	CS .375-16X1.625HXG5
30	016899	2	NT .375-16 FLKG5

Comments for Page: Deck Lift & Mounting Hardware (Multi-Page)

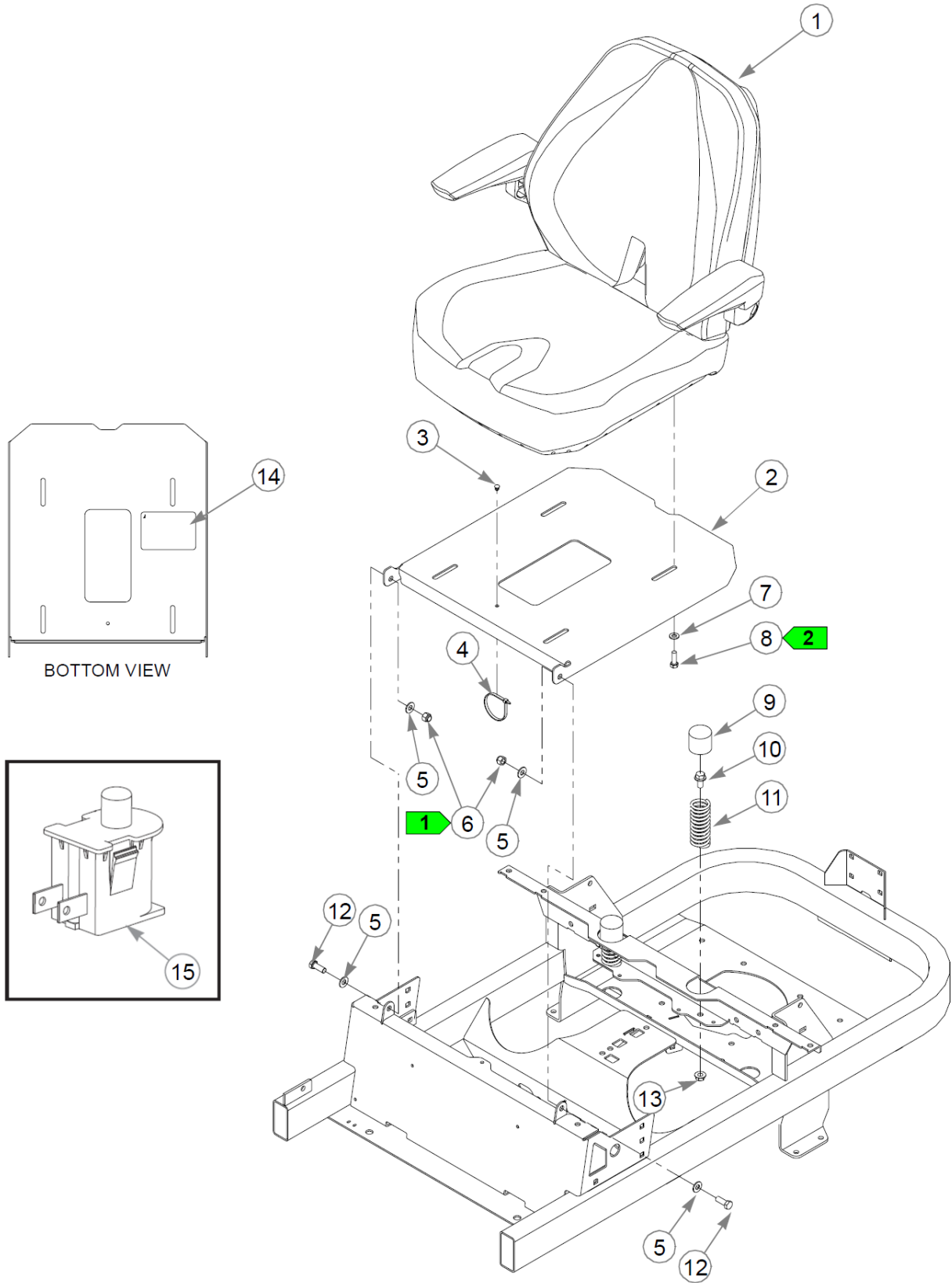
1. The top deck lift bracket includes the decal.



Item	Part No.	Qty	Name
1	555451	1	SVC DECK
2	607185	4	0.25-20 X 0.625
3	781419	1	DECAL, BELT ROUTING
4	604221	1	DECAL, DANGER / CHUTE
5	799171	1	DECAL, 54" DECK ID
6	604222	1	DECAL, DANGER / OBJECTS

Comments for Page: Service Deck

1. The deck includes the decals and hardware.



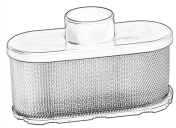
Item	Part No.	Qty	Name
1	608029	1	SEAT, SK240 W/ RF WELD
	608154	1	SVC, ARMREST KIT SK240
2	555767	1	SVC, SEAT PAN
3	604307	1	MOUNT, PUSH BUTTON
4	000331	1	WIRE TIE, SMALL/SHORT
5	767954	4	FW 0.379X.82X.06 HD ZN
6	086660	2	NT .375-16NLG8
7	768523	4	FW 0.343SAE
8	036236	4	CS .312-18X1.000HXG5
9	607838	2	CAP
10	029751	2	CS .375-16X1.00 HXF G5ZN
11	793851	2	SPRING,COMP 1.25X4.00X.
12	036244	2	CS .375-16X1.00 HX G5 ZN
13	016899	2	NT .375-16 FLKG5
14	601815	1	DECAL, BATTERY WARNINGS
15	793315	1	SWITCH, SNAP MOUNT
<p>Comments for Part Num. 793315</p> <ol style="list-style-type: none"> 1. Torque to 11 ft-lbs. 2. Do not torque; the brake bell crank must pivot freely. 2. The steering arms include the grips. 			

Comments for Page: Seat

1. Do not torque; the seat pan must pivot freely.
2. Torque to 7 ft-lbs.

REPLACEMENT PARTS - QUICK LIST

Filters



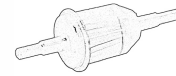
Air Filter - Main



Oil Filter



Fuel Filter



Vapor System Filter



Hydraulic Oil Filter



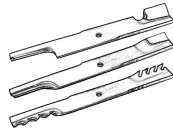
Blades



Standard Blade



Mulch Blade



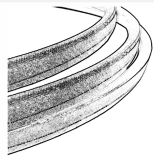
Additional Blade Options

Refer to Parts Manual

Belts



Deck Belt



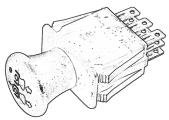
Drive Belt



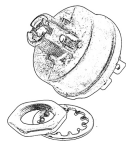
This page intentionally left blank

REPLACEMENT PARTS - QUICK LIST

Switches / Solenoid



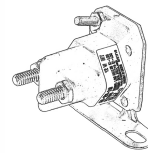
PTO



Ignition



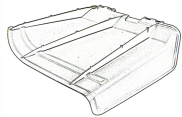
Seat



Solenoid



Deck Parts



Discharge Chute



Discharge Chute Spring



LH Pulley Cover



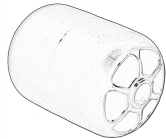
RH Pulley Cover



Pully Cover Knob



Anti-Scalp Wheel



Anti-Scalp Wheel



Deck Height Pin



This page intentionally left blank

REPLACEMENT PARTS - QUICK LIST

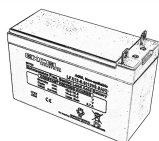
Miscellaneous Parts



Key



Fuel Cap



Battery



Hustler Fluids



8 FL. OZ.

Fuel Stabilizer



QUART

Engine Oil



QUART

Hydraulic Oil



GALLON

Hydraulic Oil



Item	Part No.	Qty	Name
1	603059	1	AIR FILTER - MAIN
2	602581	1	ENGINE OIL FILTER
3	068478	1	FUEL FILTER - IN LINE
4	604323	1	VAPOR SYSTEM FILTER
5	600976	1	HYDRAULIC OIL FILTER
6	606251	3	BLADE, 18.50"-H-F-CW
7	797704	3	BLADE, 18.50"-MUL-F-CW
8	777185	1	DECK BELT
9	607830	1	DRIVE BELT
10	776476	1	SWITCH, PTO 6201-321
11	045898	1	IGNITION SWITCH
12	793315	1	SWITCH, SNAP MOUNT
<p>Comments for Part Num. 793315</p> <p>1. Torque to 11 ft-lbs. 2. Do not torque; the brake bell crank must pivot freely. 2. The steering arms include the grips.</p>			
13	606445	1	STARTER SOLENOID
14	605469	1	DISCHARGE CHUTE
15	602435	1	SPRING, TORSION
16	607866	1	PULLEY COVER, LH
17	607865	1	PULLEY COVER, RH
18	607186	1	.25-20 FEMALE KNOB
19	604780	2	WHEEL, ANTI-SCALP
20	602341	1	WHEEL, ANTI-SCALP
21	607039	1	PIN, .375X1.62 MAGNETIC
22	785808	1	KEY ASSEMBLY
23	607731	1	CAP - 2.25" KELCH
24	607723	1	BATTERY, AGM 12V 9AMH
25	606531	1	FUEL STABILIZER, CASE
<p>Comments for Part Num. 606531</p> <p>EACH CASE CONTAINS 6 - 8 FL. OZ. BOTTLES</p>			
26	608841X	1	OIL, CASE QTS 15W-50 ENG
27	606950	1	OIL, 20W-50 HYD QT

This page intentionally left blank

Item	Part No.	Qty	Name
Comments for Part Num. 606950			
EACH CASE CONTAINS 12 - 1 U.S. QUART PLASTIC BOTTLES			
28	606951	1	OIL, 20W-50 HYD GAL
Comments for Part Num. 606951			
EACH CASE CONTAINS 4 - 1 U.S. GALLON PLASTIC BOTTLES			