

Hustler® Parts Manual

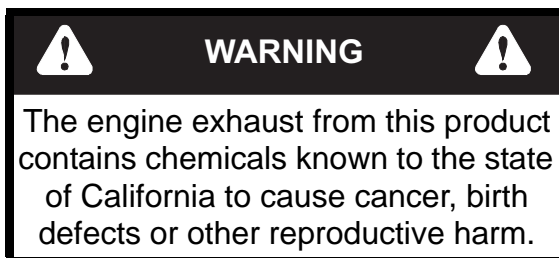


HUSTLER®
TURF EQUIPMENT

200 South Ridge Road

Hesston, Kansas

67062



NOTICE OF REQUIREMENT OF SPARK ARRESTER MUFFLER

This equipment may create sparks that can start fires around dry vegetation. California Public Resources Code Section 4442.6 provides that it is unlawful to use or operate an internal combustion engine on any forest-covered, brush-covered, or grass-covered land unless the engine is equipped with a spark arrester maintained in effective working order. A spark arrester is a device constructed of nonflammable materials specifically for the purpose of removing and retaining carbon and other flammable particles over 0.0232 of an inch in size from the exhaust flow of an internal combustion engine that uses hydrocarbon fuels or which is qualified and rated by the United States Forest Service. Other states or federal areas may have similar laws. The Operator Should Contact Local Fire Agencies For Laws or Regulations Relating to Fire Prevention Requirements. **THIS EQUIPMENT DOES NOT HAVE A SPARK ARRESTER AND YOU SHOULD CONTACT YOUR AUTHORIZED DEALER FOR THE PURCHASE OF A SPARK ARRESTER.**

Inspect spark arrester daily; replace every 500 hours or as needed.

The Engine Owner's Manual provides information regarding the U.S. Environmental Protection Agency (EPA) and the California Emission Control Regulation of emission systems, maintenance and warranty.

Keep Engine Owner's Manual with your unit. Should the Engine Owner's Manual become damaged or illegible, replace immediately. Replacements may be ordered per the information found in the Product Information section of the owner's manual.

Federal law and California State law prohibit the following acts or the causing thereof:

1. The removal or rendering inoperative by any person other than for purposes of maintenance, repair, replacement, of any device or element of design incorporated into any equipment for the purposes of emissions control prior to or after its sales or delivery to the ultimate purchaser or while it is in use, or
2. The use of the equipment after such device or element of design has been removed or rendered inoperative by any person.

General Information Page 1

Frame & Engine Guard

Frame 2-1
Engine Guard 2-2

Hydraulic System, Drive Belt, Clutch, Steering & Brake

Pump Drive, Drive Belt & Clutch 3-1
Hydraulic System 3-2
Hydraulic Filter & Reservoir Assembly Breakdown 3-3
RS Pump Assembly Breakdown 3-4
LS Pump Assembly Breakdown 3-5
Wheel Motor Breakdown 3-6
SERVICE PARTS - 603898 Wheel Motor 3-7
Oil Cooler Support 3-8
Steering 3-9
Steering Assembly (Multi-Page) 3-10
LS Steering Box Assembly 3-11
RS Steering Box Assembly 3-12
Brake Install 3-13

Wheels & Tires

Wheels & Tires 4-1
Front Wheel Assembly 4-2
Drive Wheel Assembly - S/N 20071149 & HIGHER 4-3

Engine, Muffler & Fuel System

Engine, Vanguard M61 Oil Guard (Mutli-Page) 5-1
Engine Service Parts - VAN M61OG 5-2
Fuel System 5-3
SERVICE PARTS - 609100 & 609102 Fuel Tanks 5-4

Instrument Panel, Wire Harness & Battery

Instrument Panel & Wire Harness 6-1
Battery 6-2

Decks, Deck Belts, Blades, Deck Lift & Wing Lift System

Left Side Service Deck 7-1
Right Deck, Pulleys, Spindles & Blades (Multi-Page) 7-2
Center Deck, Idlers, Pulleys, Spindles, Belts & Blades (Multi-Page) 7-3
Deck, Deck Belt & Wing (Multi-Page) 7-4
Wing Lift System (Multi-Page) 7-5
Manifold Block Breakdown 7-6
Deck Lift & Mounting Hardware (Multi-Page) 7-7
SERVICE PARTS - 607407 & 607408 Spindle 7-8

Seat & ROPS

Seat & Floor Pan 8-1
Seat Service Parts - 609173 8-2
ROPS 8-3

General Information

Note: When ordering parts, you must use the part number as shown for each part, not the index number. Always give the model and serial number to your parts and service representative.

Note: Items sold in bulk such as seals and hoses are sold by the foot.

Using This Manual

This manual is part of a service package for the Hustler® mowers. Use of this manual in conjunction with other Hustler® mower and component manuals will provide the information necessary to service and maintain Hustler® mowers.

This Parts Manual provides a complete parts listing for the unit. Use this manual when ordering parts. Illustrations used were current at the time of printing, but subsequent production changes may cause your machine to vary slightly in detail. Excel Industries, Inc. reserves the right to redesign and change the machine as deemed necessary, without notification. If a change has been made to your machine which is not reflected in this parts manual, see your authorized dealer for current information and parts.

The Service Manual is a service guide for use by Service Technicians. It provides the necessary information needed to perform normal maintenance requirements on these units.

The Operator's Manual provides fundamental operational information and operational safety that is needed when operating the mower.

The component manuals are furnished by the various manufacturers to be used for the troubleshooting and servicing of their products.

Hardware Description Codes & Abbreviations

The following codes are used throughout this parts manual. Refer to this list when ordering parts.

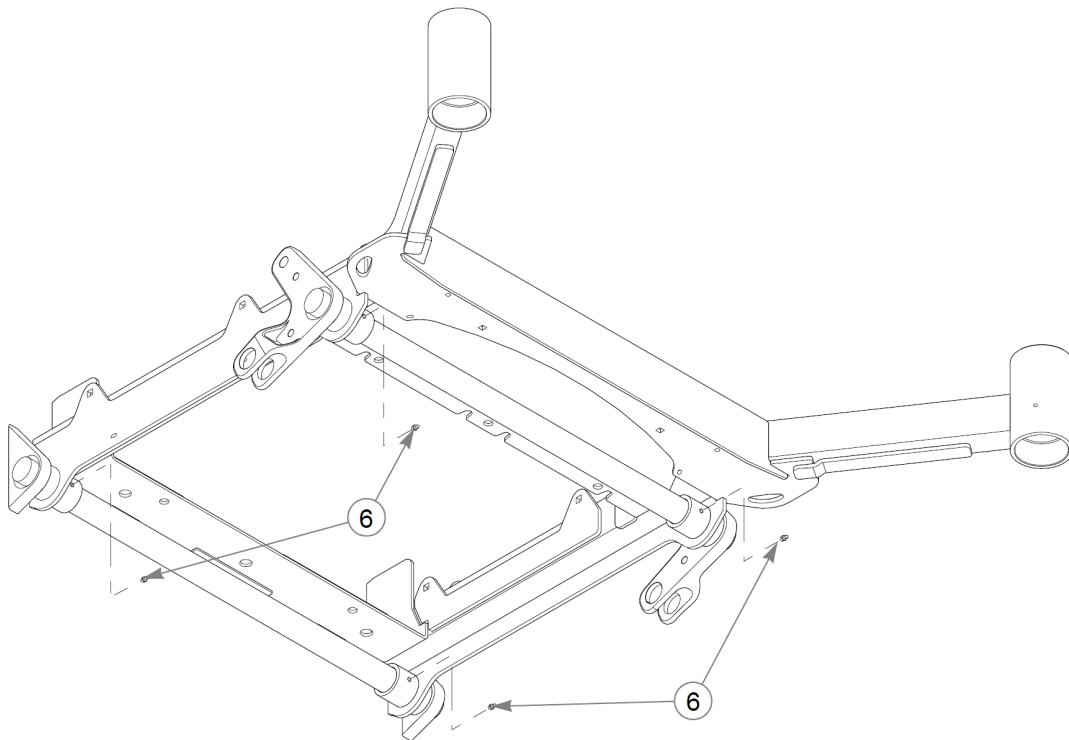
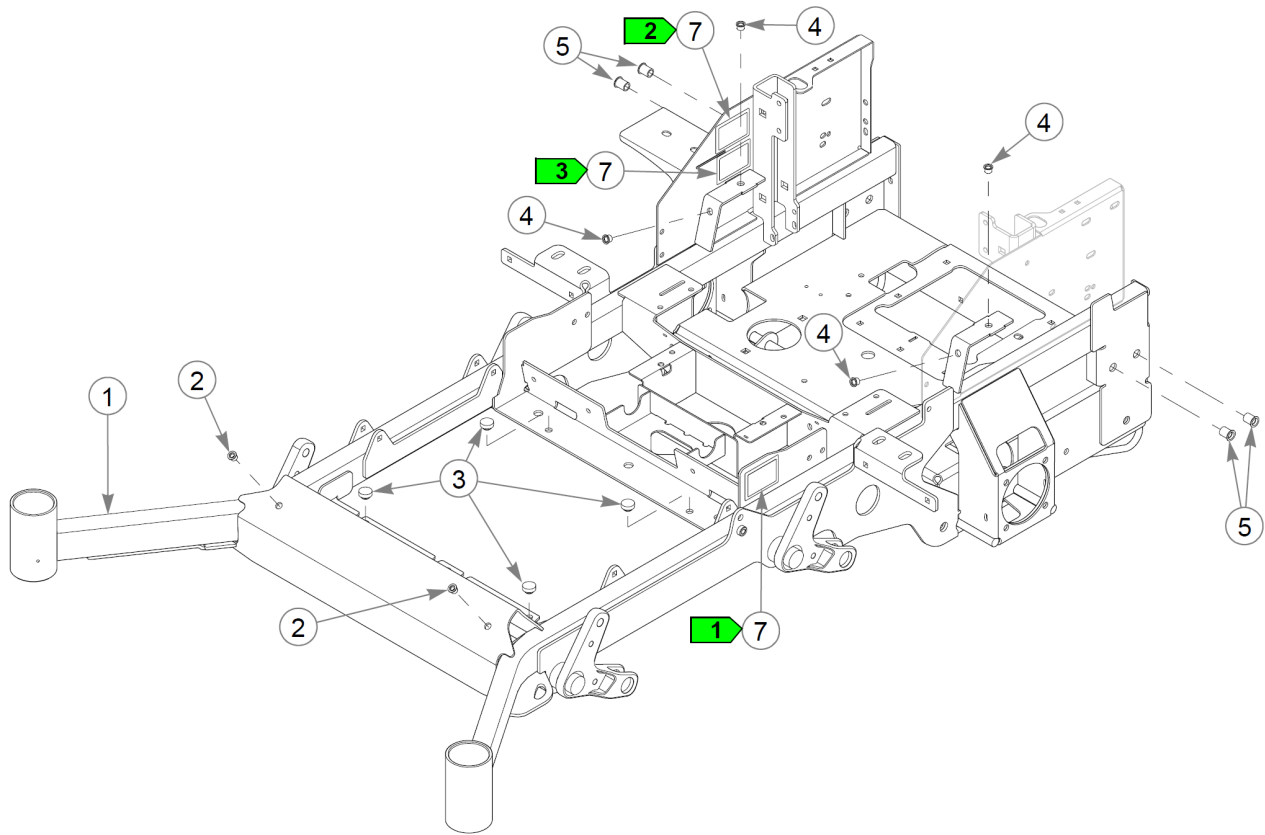
ABBREVIATION	DESCRIPTION	ABBREVIATION	DESCRIPTION
CB	CARRIAGE BOLT	MB	MACHINE BUSHING
CE	CLEVIS PIN	MS	MACHINE SCREW
CN	CLIP NUT	NT	NUT
CP	COTTER PIN	SC	SELF TAPPING CAP SCREW
CS	CAP SCREW	SH	SOCKET HEAD
CW	CUP WASHER	SB	SHOULDER BOLT
FDRW	FENDER WASHER	SS	SET SCREW
FW	FLAT WASHER	OD	OUTSIDE DIAMETER
HX	HEX HEAD	ID	INSIDE DIAMETER
LW	LOCK WASHER	WN	WELD NUT

Standard Torques

The following chart lists the standard torque values for the threaded fasteners found in this manual. Torque all cap screws, nuts and set screws to these values unless a different torque is shown in the Notes section next to the fastener.

SIZE	FT-LBS	N•M	SIZE	FT-LBS	N•M
.250	8.2	11.1	M3	1	1.3
.312	17	23	M4	2.2	3
.375	30	40	M5	4.5	6.1
.438	48	65	M6	7.7	10.4
.500	73	99	M8	18.5	25
.562	105	143	M10	37	50
.625	145	200	M12	64	87
.750	260	350	M14	80	108.5
.875	420	565	M16	160	215
1.00	625	850	M20	320	435
			M24	555	750

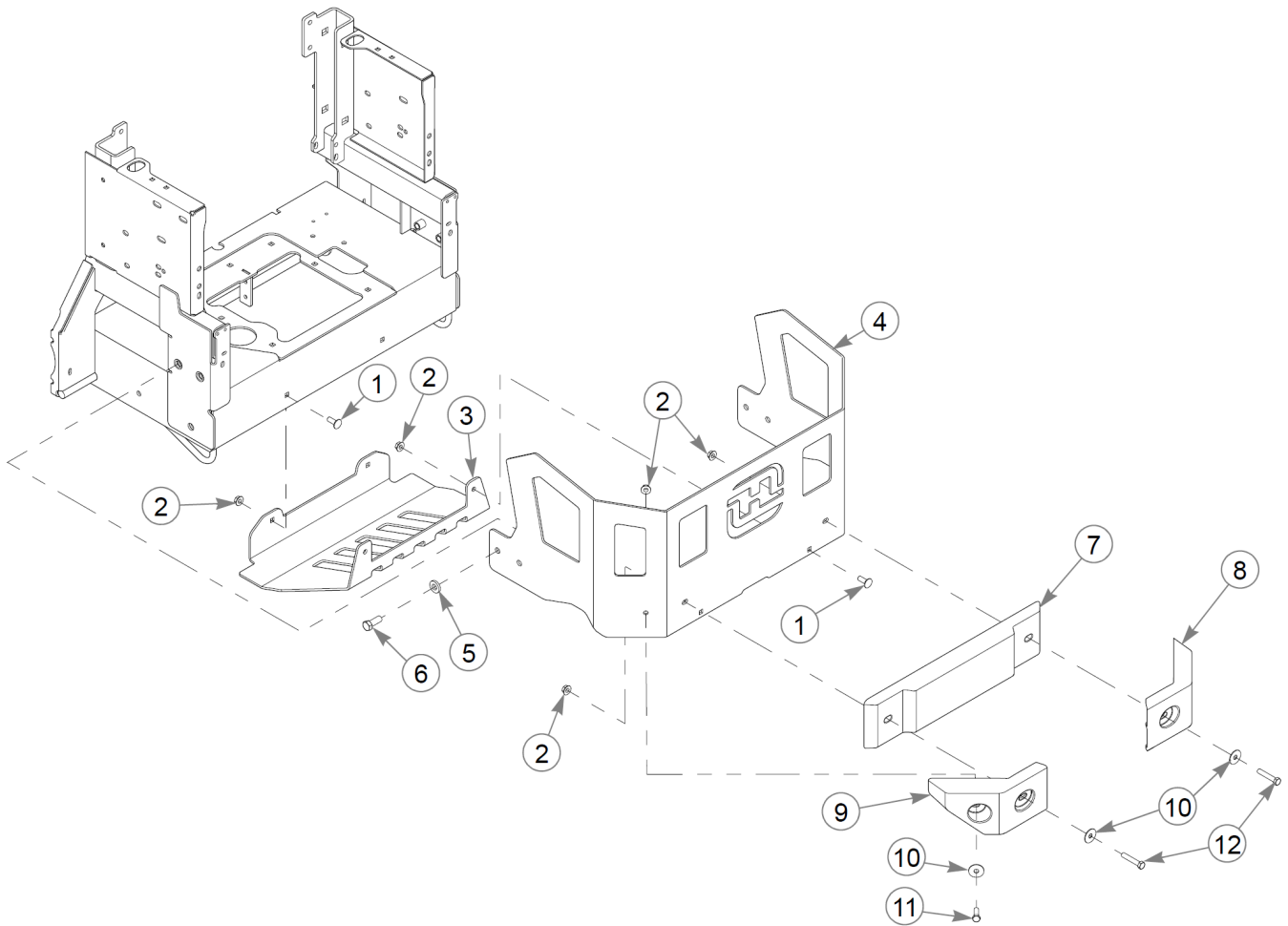
This page intentionally left blank



Item	Part No.	Qty	Name
1	129600-1	1	FRAME W/A, S104
2	808485	2	RIVET NUT, 5/16-18 THRE
3	781880	4	BUMPER, .500x 1.00x .31
4	808493	4	RIVET NUT, 3/8-16 THREA
5	600961	4	RIVET NUT, 1/2-13 THREAD
6	015495	4	GREASE FITTING STRAIGHT
7		3	SERIAL NUMBER / SPEC. DECAL

Comments for Page: Frame

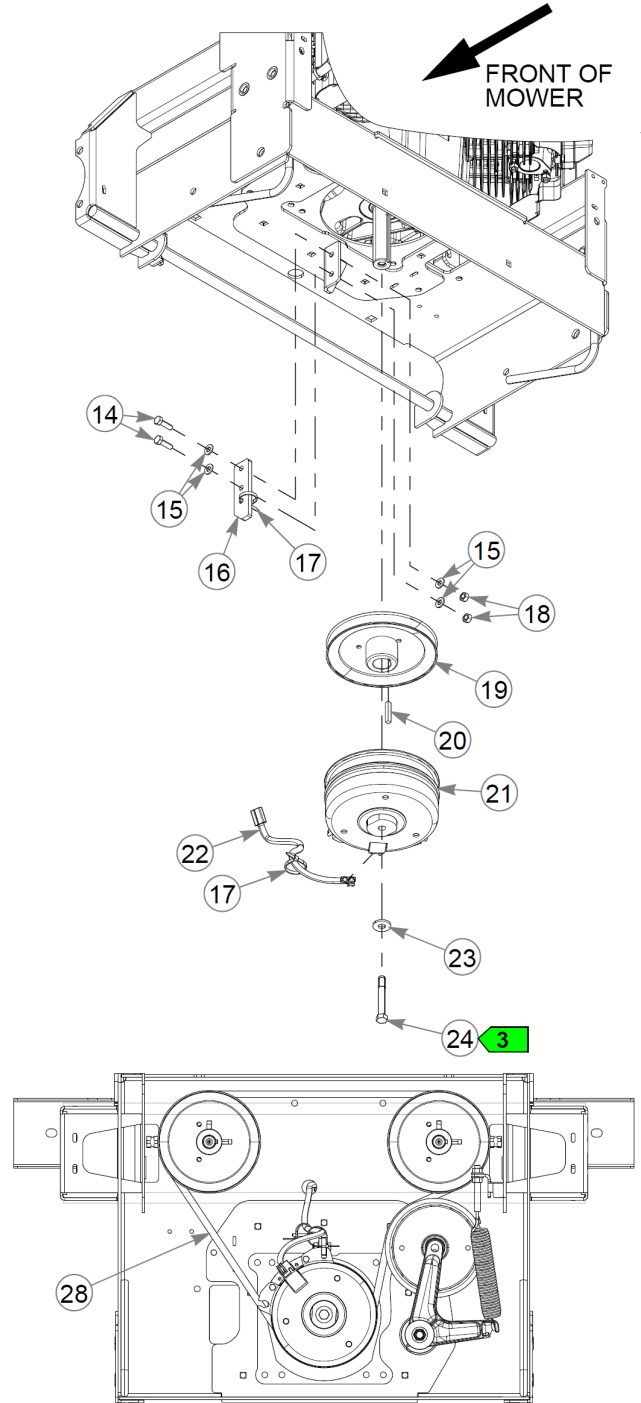
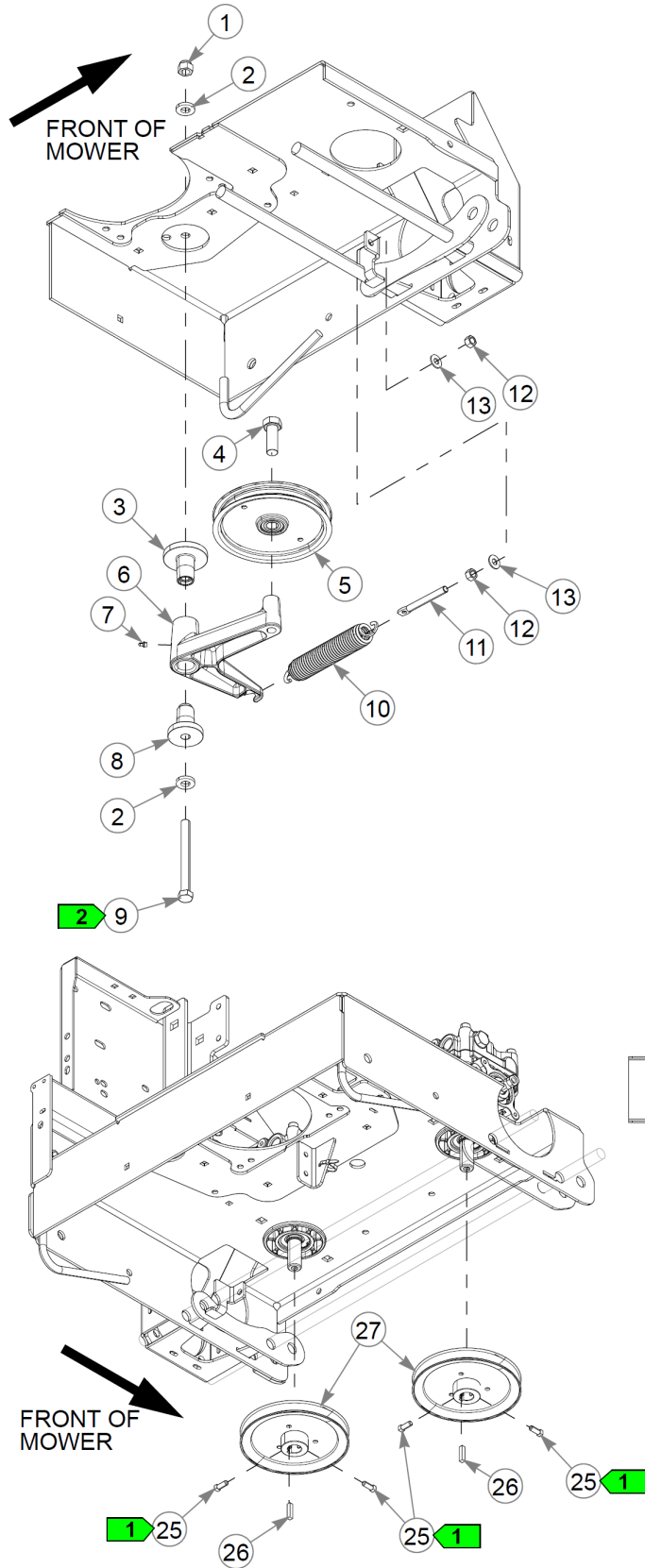
1. Serial number decal. In the event the serial number decal becomes damaged or illegible, please contact your dealer to order a replacement.
2. EPA compliance decal.
3. Patent numbers decal. Refer to the model number being built for the decal requirement.



Engine Guard

Super 104 Parts Manual - 944066 - HTSWSR104BASVANM61TEOGA

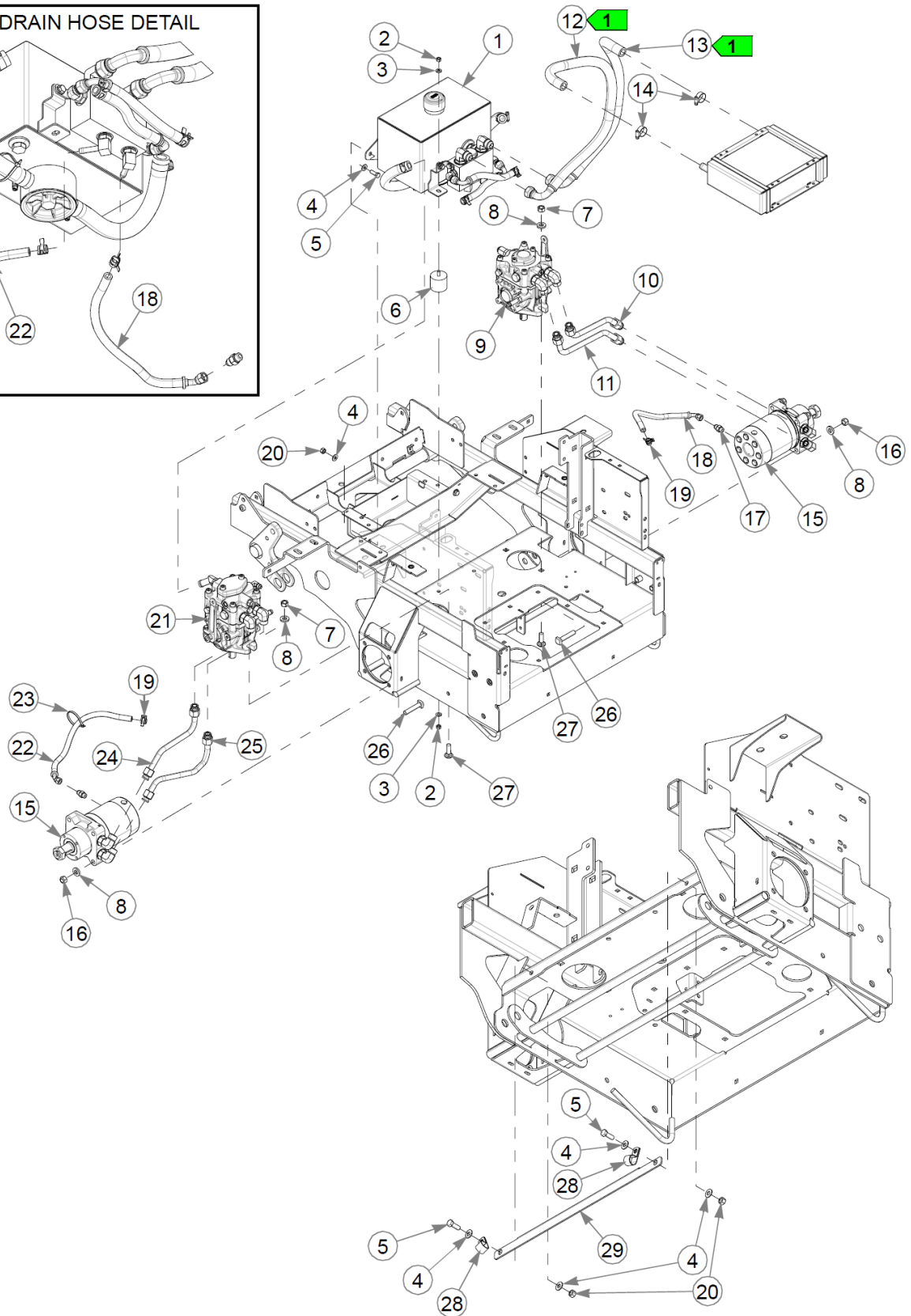
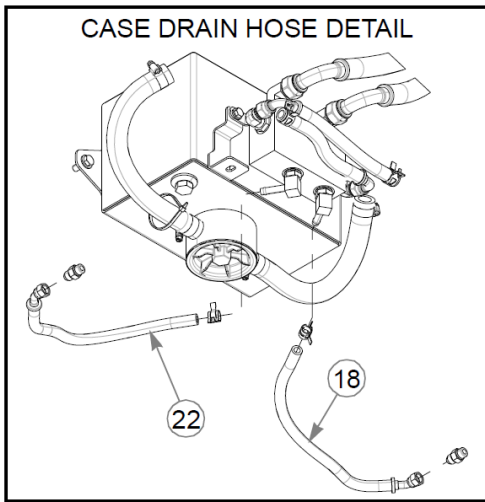
Item	Part No.	Qty	Name
1	025395	4	CB .375-16X 1.00 G5 ZN
2	016899	8	NT .375-16 FLKG5
3	129639-6	1	MUFFLER GUARD
4	129638-1	1	ENGINE GUARD
5	767962	4	FW .531 x 1.063 x .175
6	705954	4	CS .500-13X1.25 HX G5 ZN
7	606657	1	PLASTIC BUMPER, CENTER
8	606659	1	PLASTIC BUMPER, RH
9	606658	1	PLASTIC BUMPER, LH
10	705137	4	FW 0.391X1.25X.06 ZN
11	005132	2	CS .375-16X1.12 HX G5 Z
12	016410	2	CS .375-16X2.000HXG5



Item	Part No.	Qty	Name
1	781567	1	NT .500-13NLG5
2	767962	2	FW .531 x 1.063 x .175
3	602880	1	BUSHING, IDLER PIVOT
4	025007	1	CS .62511X1.750HXG5
5	603783	1	PULLEY, 6" FLAT IDLER
6	608005	1	TENSIONER CAST
7	015495	1	GREASE FITTING STRAIGHT
8	602879	1	BUSHING, IDLER PIVOT
9	051151	1	CS .500-13X5.000HXG5
10	601016	1	IDLER SPRING
11	601486	1	EB, .375-16X3.00 FULTHD
12	054502	2	NT .375-16HXG5
13	767954	2	FW 0.379X.82X.06 HD ZN
14	036236	2	CS .312-18X1.000HXG5
15	768523	4	FW 0.343SAE
16	113347	1	CLUTCH ANCHOR
17	000331	2	WIRE TIE, SMALL/SHORT
18	034272	2	NT .312-18HXG5
19	602755	1	PULLEY 7.35 OPx1.125SHFT
20	212076	1	KEY 1/4 SQ X 1.50 LG(FS)
21	609186K	1	KIT, CLUTCH CMS275
22	791251	1	HARNES, CLUTCH PIGTAIL
<p>Comments for Part Num. 791251</p> <p>Pigtail was updated with epoxy to hold the wires steady. The wire sheath was also updated to a more flexible material.</p>			
23	602680	1	FW .453X1.12X.12 HRD ZN
24	785048	1	CS .437-20X3.00 HXG5ZN
25	083196	4	SS .312-18X0.750SQ
26	210146	2	KEY 1/4 SQ X 1.12 LONG
27	602754	2	PULLEY 7.35 OPx0.875SHFT
28	603904	1	DRIVE BELT

Comments for Page: Pump Drive, Drive Belt & Clutch

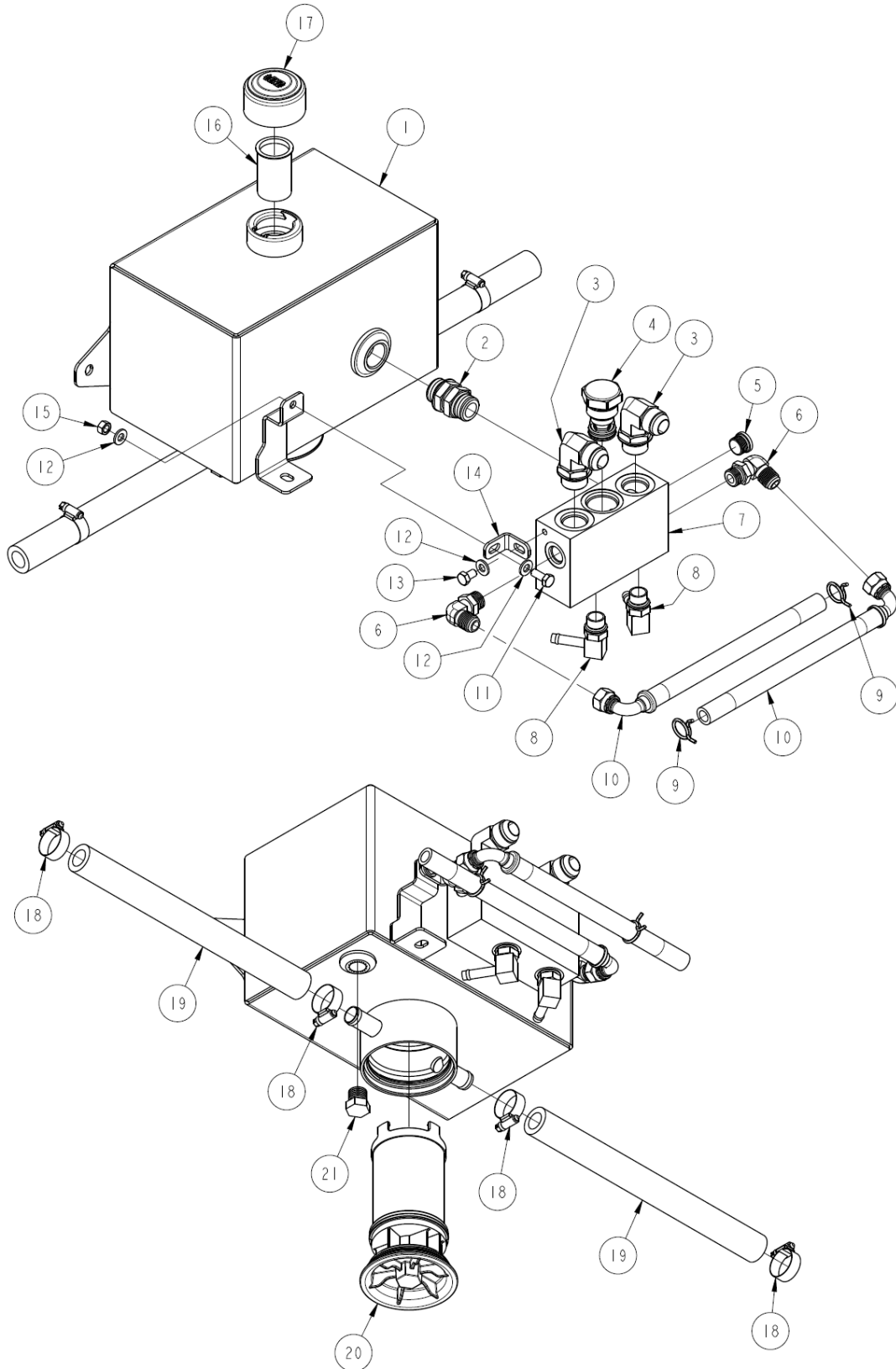
1. Torque to 12–15 ft-lbs. (16-20 N•m)
2. Torque to 71–75 ft-lbs. The tensioner should pivot freely. (96-101 N•m)
3. Torque to 45–48 ft-lbs. Replace (do not reuse) the cap screw if it is removed or loosened. Use only hand tools to install this fastener. (61-65 N•m)



Item	Part No.	Qty	Name
1		1	REFER TO RESERVOIR SUB-ASSEMBLY
2	034272	2	NT .312-18HXG5
3	768523	2	FW 0.343SAE
4	767954	8	FW 0.379X.82X.06 HD ZN
5	036244	4	CS .375-16X1.00 HX G5 ZN
6	604320	1	VIBRATION MOUNT
7	008193	4	NT .500-13HXG5
8	767962	12	FW .531 x 1.063 x .175
9		1	REFER TO RS PUMP SUB-ASSEMBLY
10	602876	1	TUBE, RP-TM RH LOOP
11	602875	1	TUBE, LP-BM RH LOOP
12	603046	1	HOSE, TO COOLER
13	603047	1	HOSE, FROM COOLER
14	700484	2	CLAMP, HOSE (FS)
15		2	REFER TO MOTOR SUB-ASSEMBLY
16	023317	8	NT .500-13UNTG8
17	779132	2	FTG, -6MORB/-6MJIC STR
18	603044	1	HOSE, R MOTOR CASE DRAIN
19	609206	2	CLAMP, CTB
20	054502	4	NT .375-16HXG5
21		1	REFER TO LS PUMP SUB-ASSEMBLY
22	603043	1	HOSE, L MOTOR CASE DRAIN
23	000331	1	WIRE TIE, SMALL/SHORT
24	602873	1	TUBE, LP-BM LH LOOP
25	602874	1	TUBE, RP-TM LH LOOP
26	602256	8	CS .500-13X2.500 SQ G5
27	028274	4	CB .500-13X 1.500 FULL
28	043570	2	CLIP - HOSE - SINGLE(FS)
29	119384	1	BELT GUIDE

Comments for Page: Hydraulic System

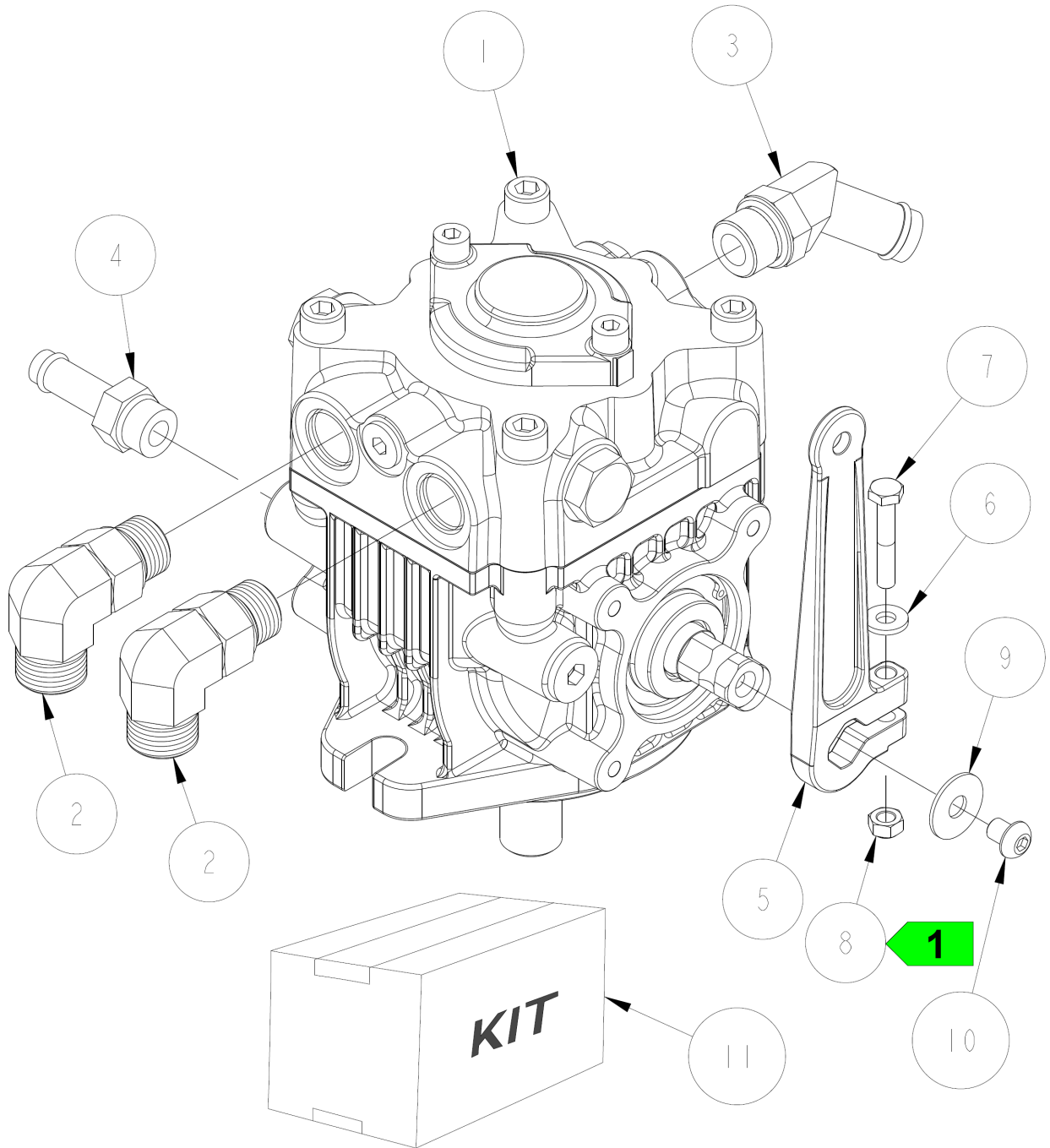
1. Torque to 80 ft-lbs +10% - 0. (108 N•m)



Hydraulic Filter & Reservoir Assembly
Breakdown

Super 104 Parts Manual - 944066 -
HTSWSR104BASVANM61TEOGA

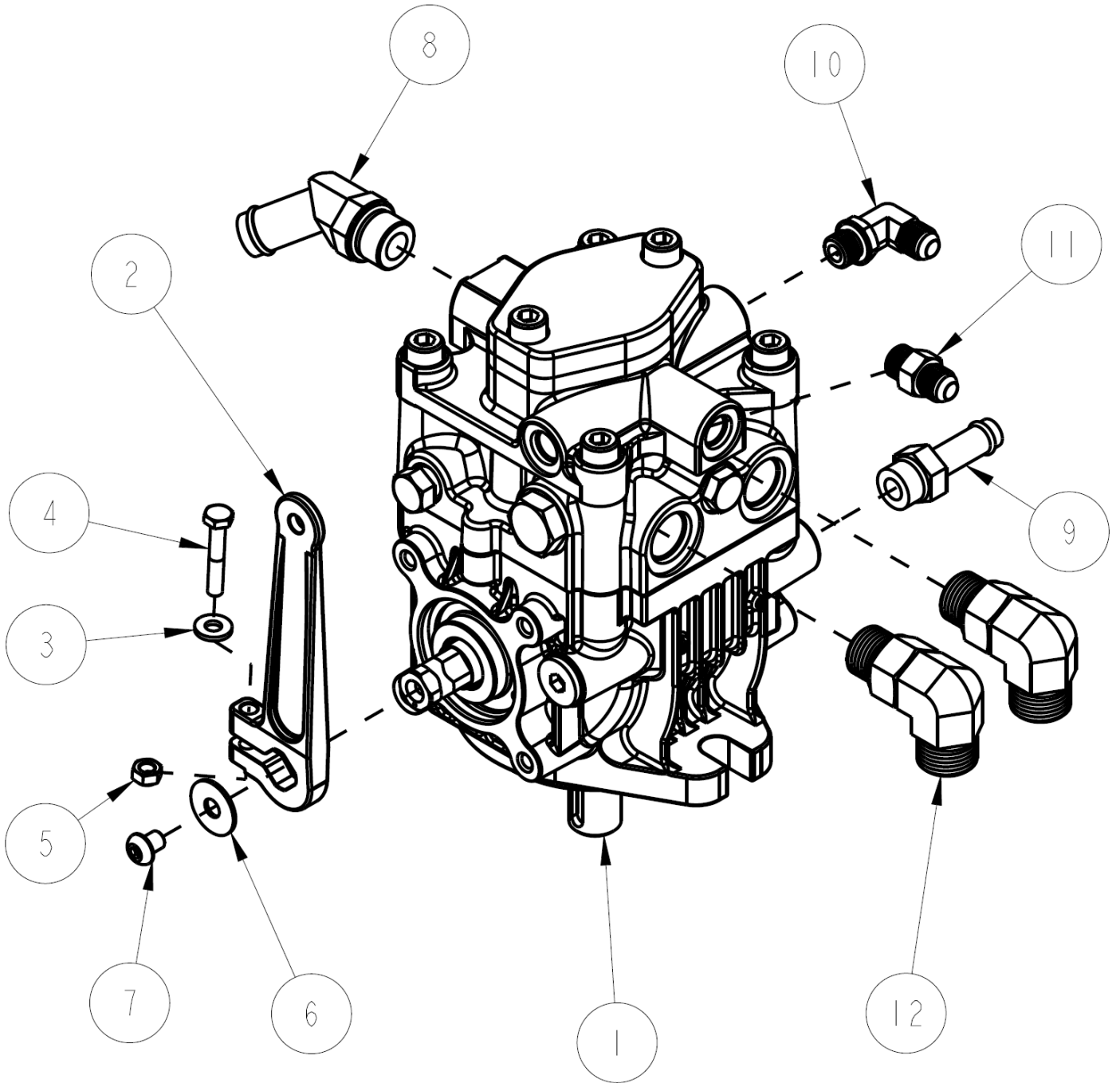
Item	Part No.	Qty	Name
1	608730	1	RESERVOIR, HYDRAULIC
2	603039	1	FTG, -12MORB/-12MORB STR
3	603189	2	FTG,-12MORB/-12MJIC 90°
4	603053	1	CHECK VALVE
5	603123	1	FTG,-8MORB HEX PLUG
6	771311	2	FTG, -8MORB/-8MJIC, 90°
7	603000	1	MANIFOLD, CASE DRAIN
8	603190	2	FTG,-8MORB/-6BT 90°
9	601001	2	SPRING CLAMP, .75" DIA
10	603042	2	HOSE, PUMP CASE DRAIN
11	034280	1	CS .312-18X0.750HXG5
12	768523	3	FW 0.343SAE
13	068346	1	CS .312-18X0.500HXG5
14	113623	1	SUPPORT BRACKET
15	034272	1	NT .312-18HXG5
16	032771	1	STRAINER
17	032763	1	CAP, BREATHER
18	700484	4	CLAMP, HOSE (FS)
19	603045	2	HOSE, PUMP SUCTION
20	602768X	1	HYDRAULIC OIL FILTER
21	781658	1	FTG, -8MORB/HEX PLUG



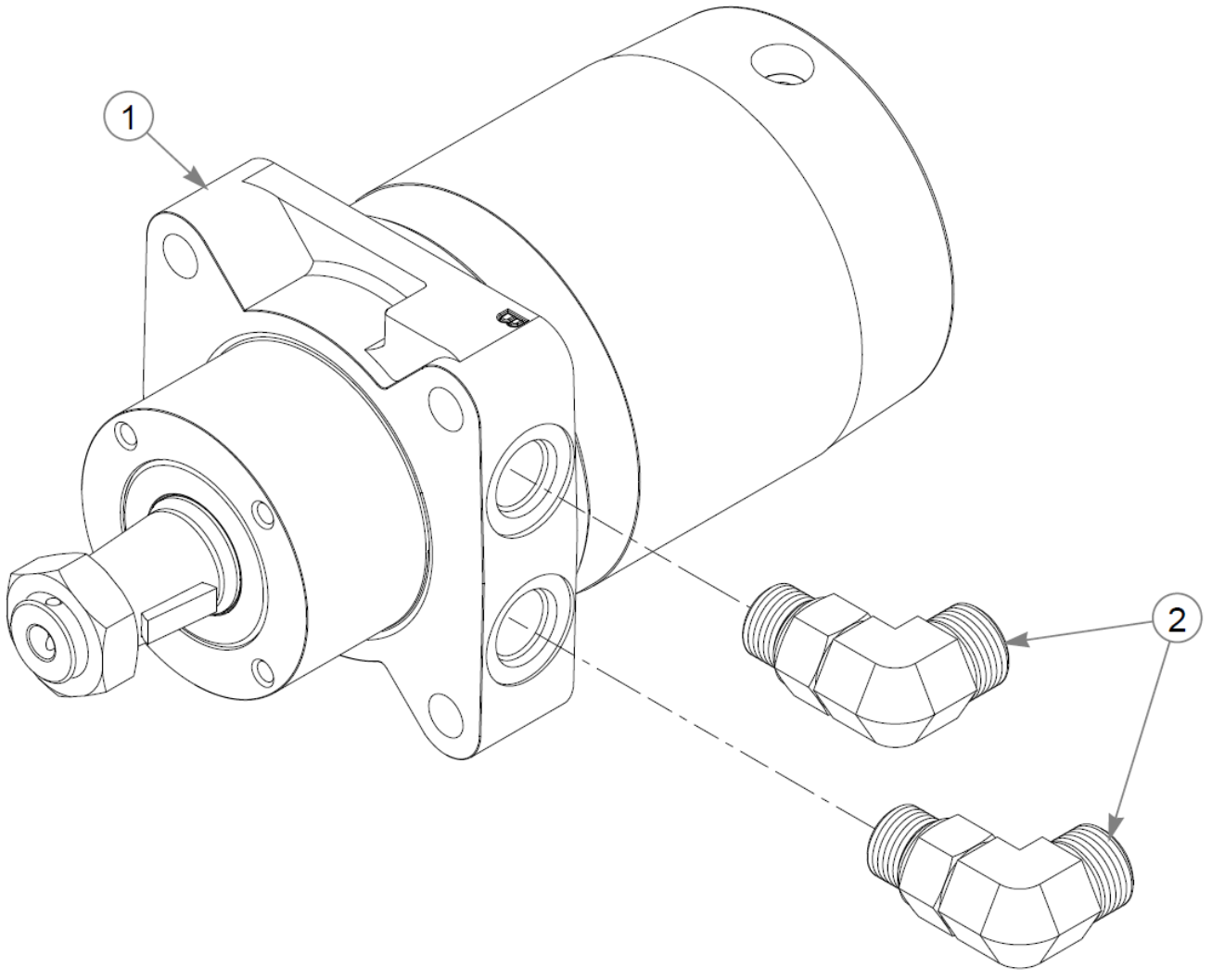
Item	Part No.	Qty	Name
1	602964	1	PUMP, DANFOSS DDC20 - HH
2	602443	2	FTG,-10MORB/-10MORFS 90°
3	774968	1	FTG, -10MORB/-12BT 45°
4	601523	1	FTG, -8MORB/-8BT STR
5	602732	1	PUMP ARM , SUPER Z
6	768515	1	FW 0.281SAE
7	008581	1	CS .250-20X1.500HXG5
8	068551	1	NT .250-20 HXZY NL
9	079210	1	FW 0.344X1.0X0.06 ZN
10	603272	1	CS M8-1.25x10 G10.9 SHBH
11	603362	1	SEAL KIT, DANFOSS DDC20

Comments for Page: RS Pump Assembly Breakdown

1. Torque to 8.2 ft-lbs. (11.1 N•m)



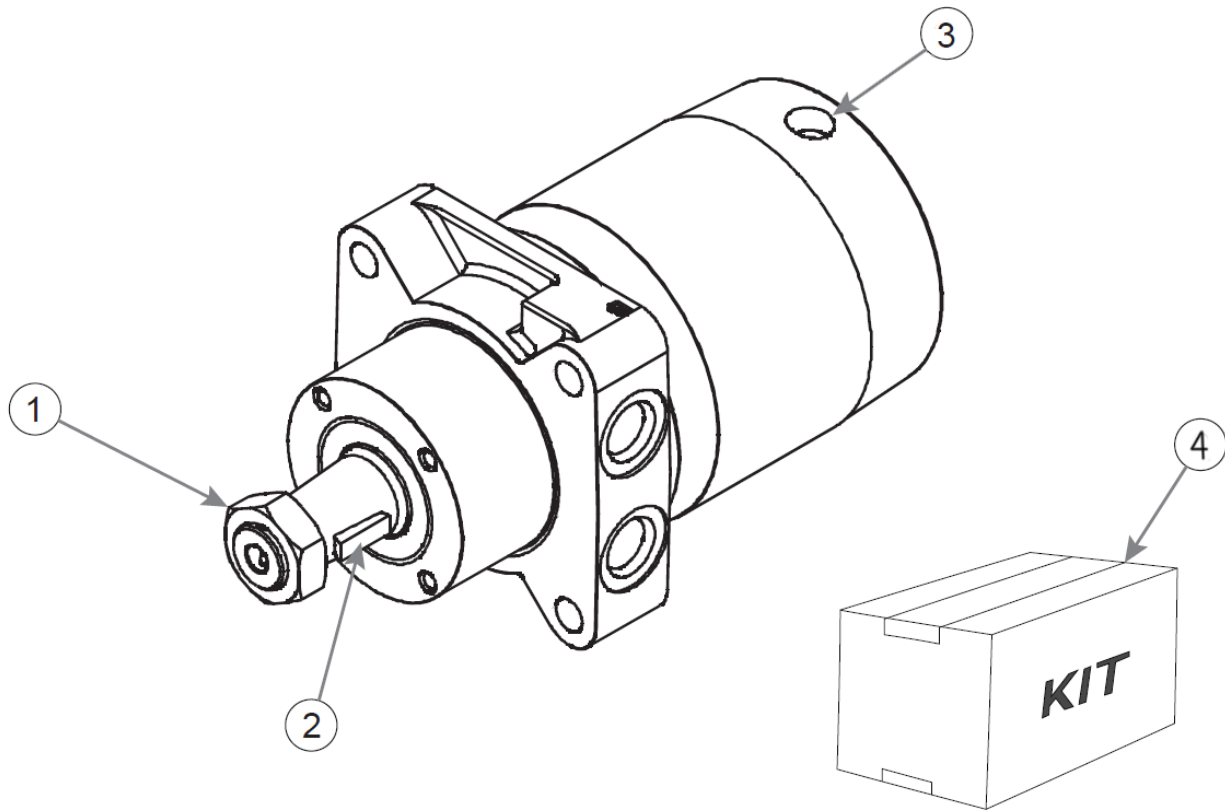
Item	Part No.	Qty	Name
1	603895	1	PUMP, DDC20 W/ IMP - HH
<p>Comments for Part Num. 603895</p> <p>***IMPORTANT***</p> <p>To receive warranty coverage, when replacing 603895 PUMP it is required that 122756 FILTER FLUSH KIT be used during replacement. When replacing pump, always pre-fill pump with 4 - 7 oz of Oil prior to install.</p>			
2	602732	1	PUMP ARM , SUPER Z
3	768515	1	FW 0.281SAE
4	008581	1	CS .250-20X1.500HXG5
5	068551	1	NT .250-20 HXZY NL
6	079210	1	FW 0.344X1.0X0.06 ZN
7	603272	1	CS M8-1.25x10 G10.9 SHBH
8	774968	1	FTG, -10MORB/-12BT 45°
9	601523	1	FTG, -8MORB/-8BT STR
10	795922	1	FTG, 90-6MORB/-6MJI
11	779132	1	FTG, -6MORB/-6MJIC STR
12	602443	2	FTG,-10MORB/-10MORFS 90°
13	603362	1	SEAL KIT, DANFOSS DDC20



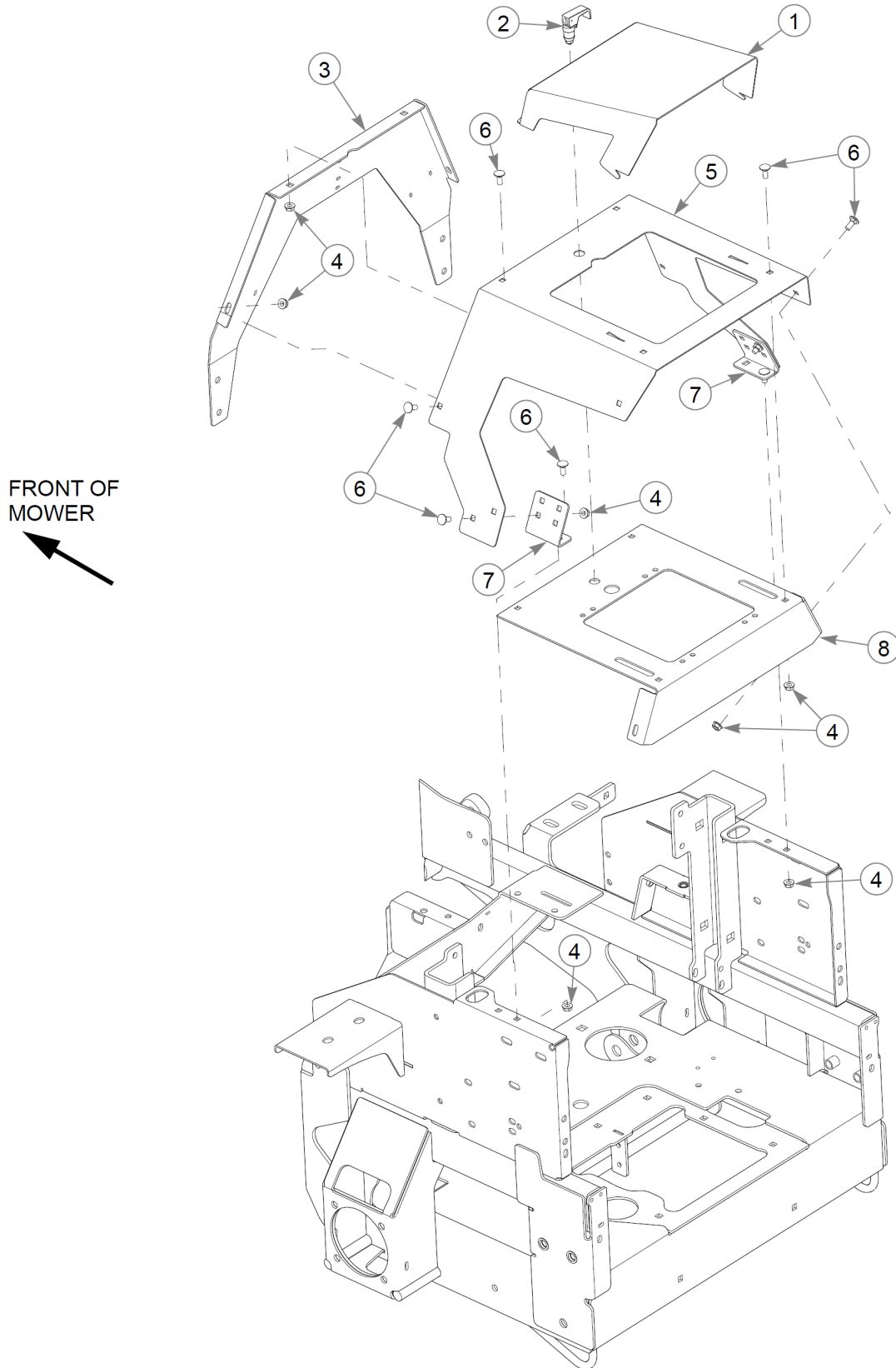
Wheel Motor Breakdown

Super 104 Parts Manual - 944066 - HTSWSR104BASVANM61TEOGA

Item	Part No.	Qty	Name
1	603898	1	MOTOR, TG0360 - HH
2	602443	2	FTG,-10MORB/-10MORFS 90°

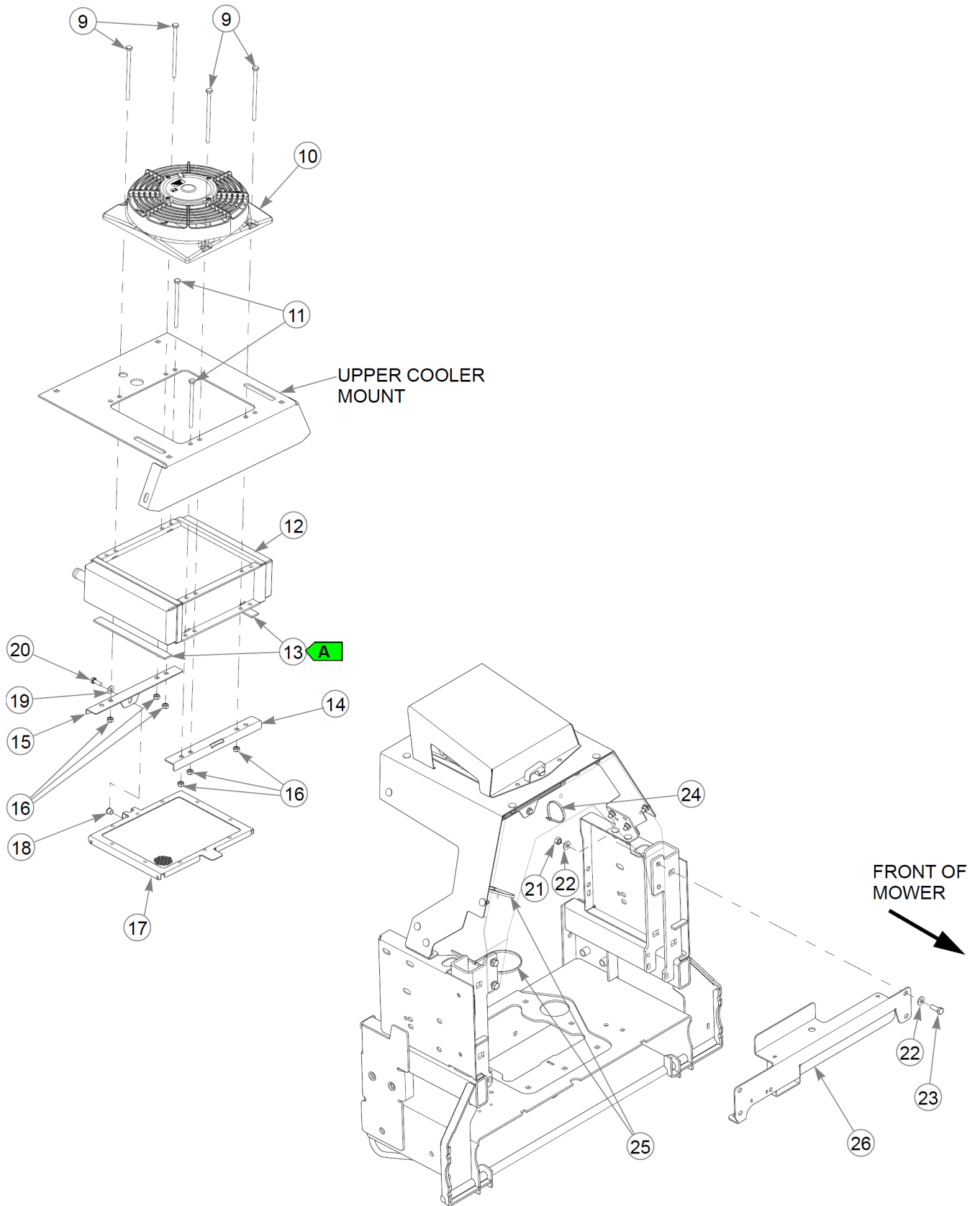


Item	Part No.	Qty	Name
	603898	1	MOTOR, TG0360 - HH
1	065516	1	ROSS NUT
2	064337	1	ROSS WOODRUFF KEY
3	PH-036297	2	PLUG, WHEEL MOTOR
4	748806	1	ROSS VITON SEAL KIT



This page intentionally left blank

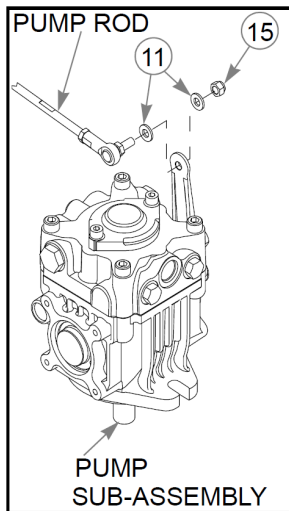
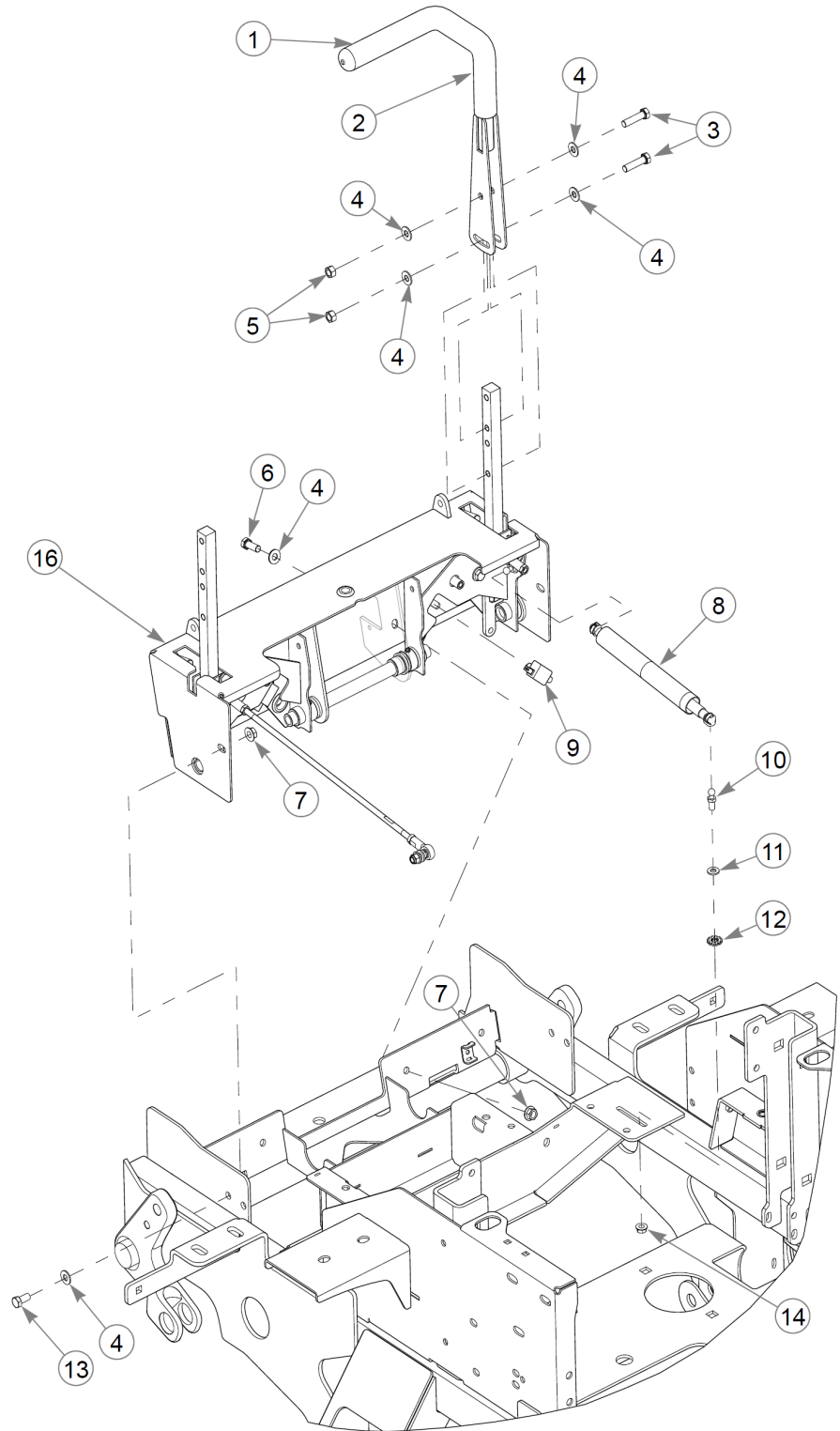
Oil Cooler Support



Item	Part No.	Qty	Name
1	124302-1	1	AIR SCOOP, OIL COOLER
2	791384	1	LATCH, HEAVY DUTY SWELL
3	125826-1	1	OIL COOLER MOUNT
4	016832	16	NT .312-18FLKG5
5	124300-1	1	OIL COOLER COVER, HD
6	016253	16	CB .312-18X .750 FUL ZN
7	128386-1	2	BRACKET, COOLER MOUNT
8	124301-1	1	MOUNT, UPPER COOLER
9	603229	4	CS .250-20X4.500 HX G5
10	603066	1	FAN, 9" 12V
11	603228	2	CS .250-20X4.000 HX G5
12	602709	1	OIL COOLER, HYD 9" FAN
13	033035P	1	WEATHERSTRIP .12X.75 - 2FT
14	124390-1	1	BRACKET, SCRNM MNT FNT
15	124389-1	1	BRACKET, SCRNM MNT RR
16	068551	6	NT .250-20 HXZY NL
17	114165	1	SCREEN ASSY SZ COOLER
18	808477	1	RIVET NUT, 1/4-20 THREA
19	768515	1	FW 0.281SAE
20	055939	1	CS .250-20X0.75 HX G5 ZN
21	054502	4	NT .375-16HXG5
22	767954	8	FW 0.379X.82X.06 HD ZN
23	036244	4	CS .375-16X1.00 HX G5 ZN
24	000331	1	WIRE TIE, SMALL/SHORT
25	000430	2	WIRE TIE, SMALL/LONG
26	125855-1	1	SUPPORT WA - FUEL LINE

Comments for Page: Oil Cooler Support

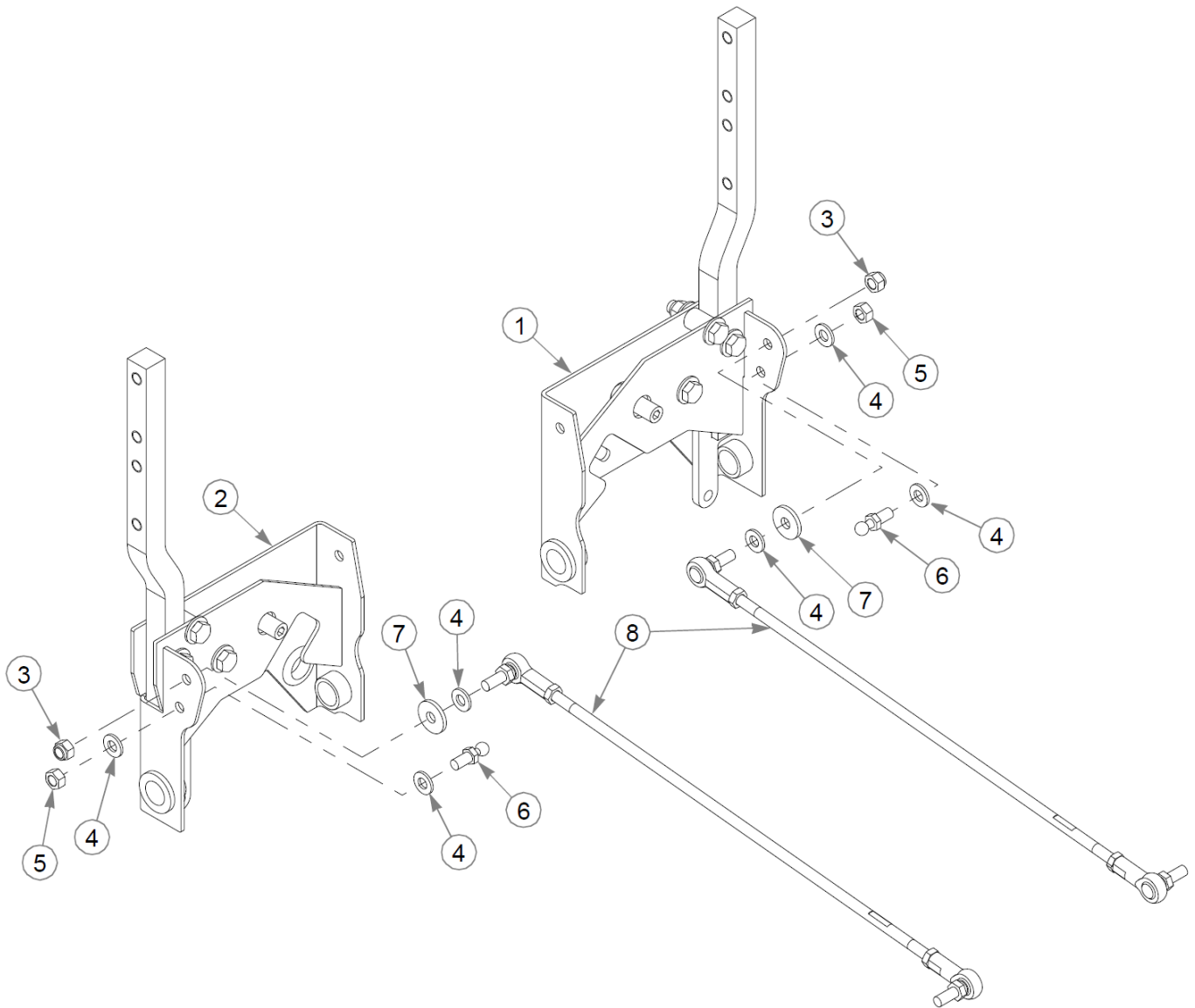
A. WEATHERSTRIP LENGTH 7.75" (19.69 cm)



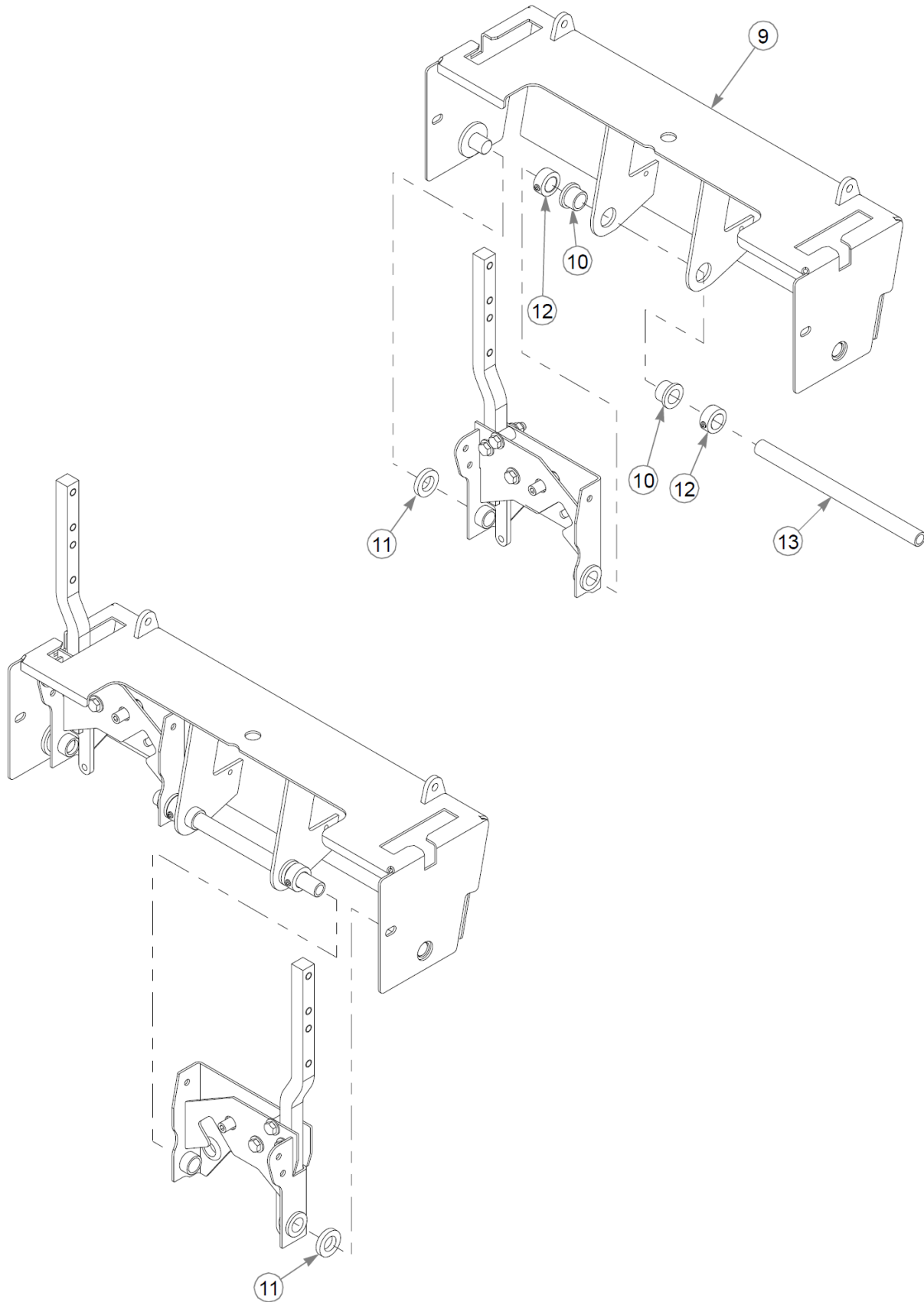
Steering

Super 104 Parts Manual - 944066 -
HTSWSR104BASVANM61TEOGA

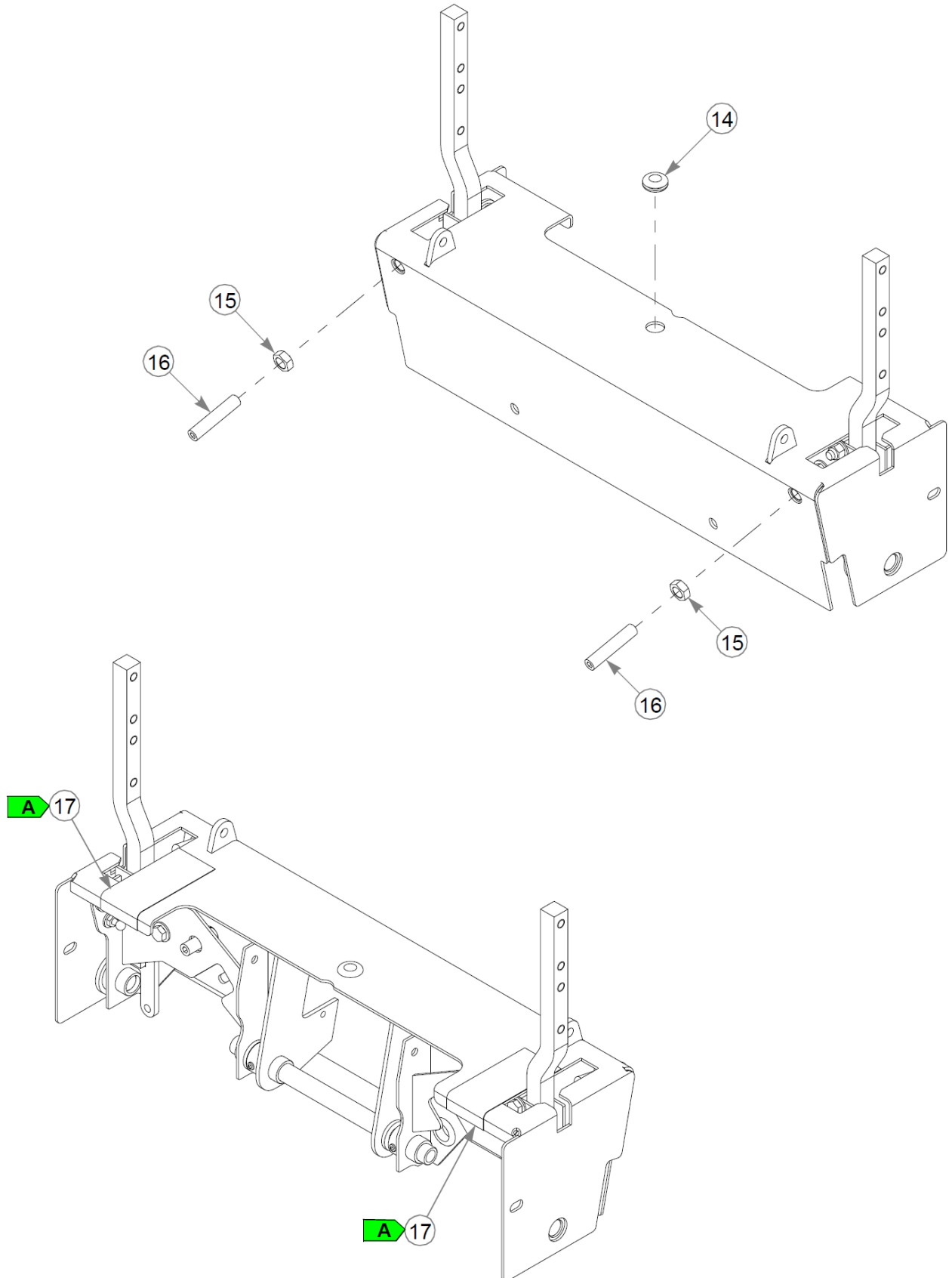
Item	Part No.	Qty	Name
1	604339	2	W/A, STEERING ARM
2	781260	2	GRIP, STEERING BAR
3	604365	4	CS .375-12X1.50 HX G5 ZN
4	767954	12	FW 0.379X.82X.06 HD ZN
5	054502	4	NT .375-16HXG5
6	036244	2	CS .375-16X1.00 HX G5 ZN
7	016899	4	NT .375-16 FLKG5
8	603192	2	DAMPER, STEERING
9	601087	2	SWITCH, PLUNGER N.O.
10	781922	2	BALL STUD
11	768523	6	FW 0.343SAE
12	029876	2	LW .312 INTEXT ZN
13	055822	2	CS .375-16X0.75 HX G5 ZN
14	016832	2	NT .312-18FLKG5
15	023655	2	NT 0.312-24 NL G8
16		1	STEERING BOX ASSEMBLY



This page intentionally left blank



This page intentionally left blank

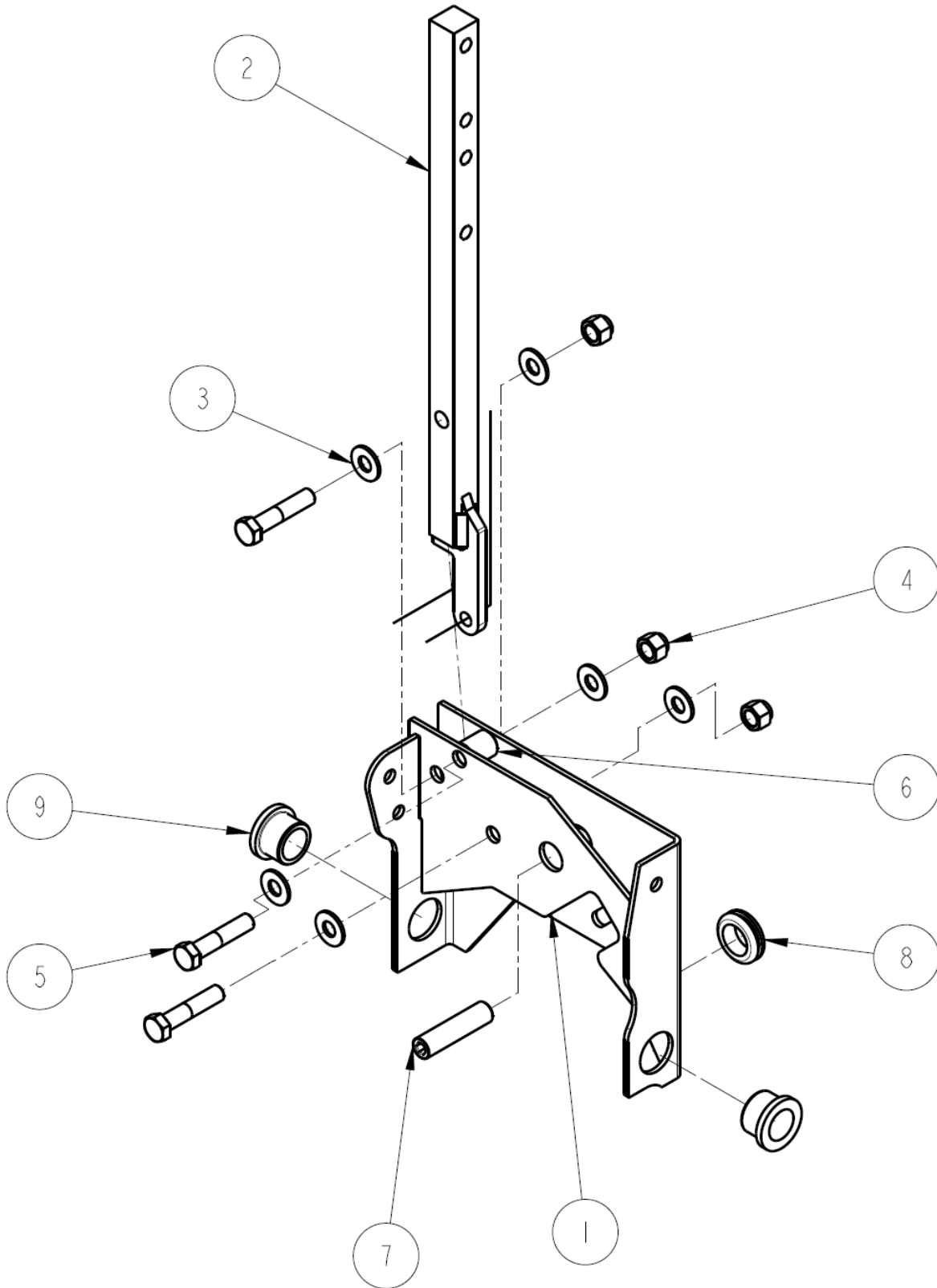


Item	Part No.	Qty	Name
1	128557	1	STEERING BOX SUB, RH
2	128556	1	STEERING BOX SUB, LH
3	023655	2	NT 0.312-24 NL G8
4	768523	6	FW 0.343SAE
5	034272	2	NT .312-18HXG5
6	781922	2	BALL STUD
7	712927	2	FW 0.344X1.00X.12 HD ZN
8	781286	2	PUMP ROD ADJUSTER ASSY
9	556587	1	SVC, STEERING COVER
10	608000	2	BUSHING
11	778399	2	FW .781X1.38X.25 ZN
12	784439	2	LOCK COLLAR,0.757 ID(FS)
13	113007	1	STEER PIVOT TUBE, SZ
14	080358	1	GM .50X1.00X.75X.12
15	053199	2	NT .500-13JAMG5
16	603055	2	SS .500-13X 2.50 SH ZN
17	722199P	1	POLYURETHANE 2" FS - 1 FT

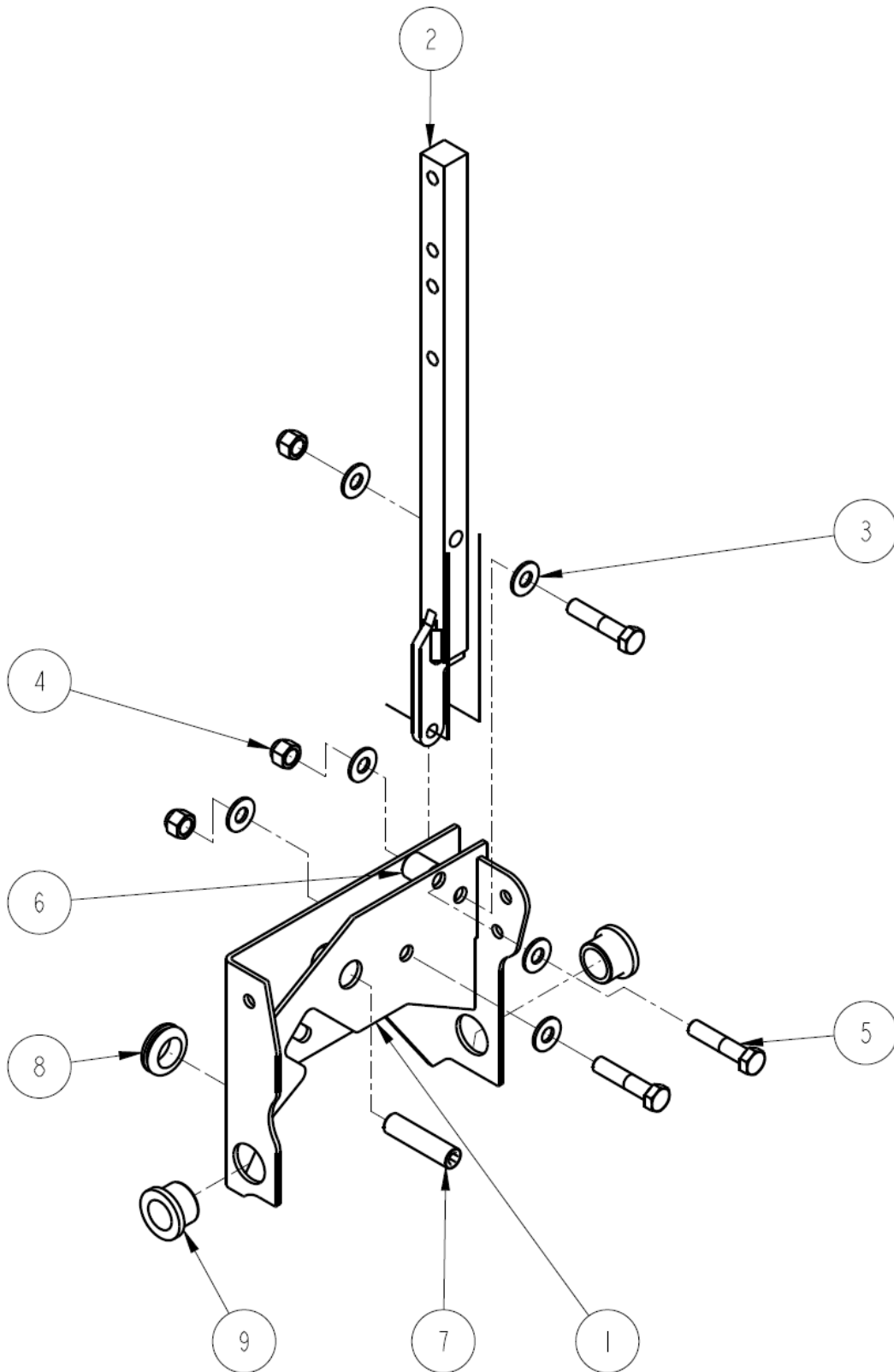
Comments for Page: Steering Assembly (Multi-Page)

WEAR TAPE LENGTH

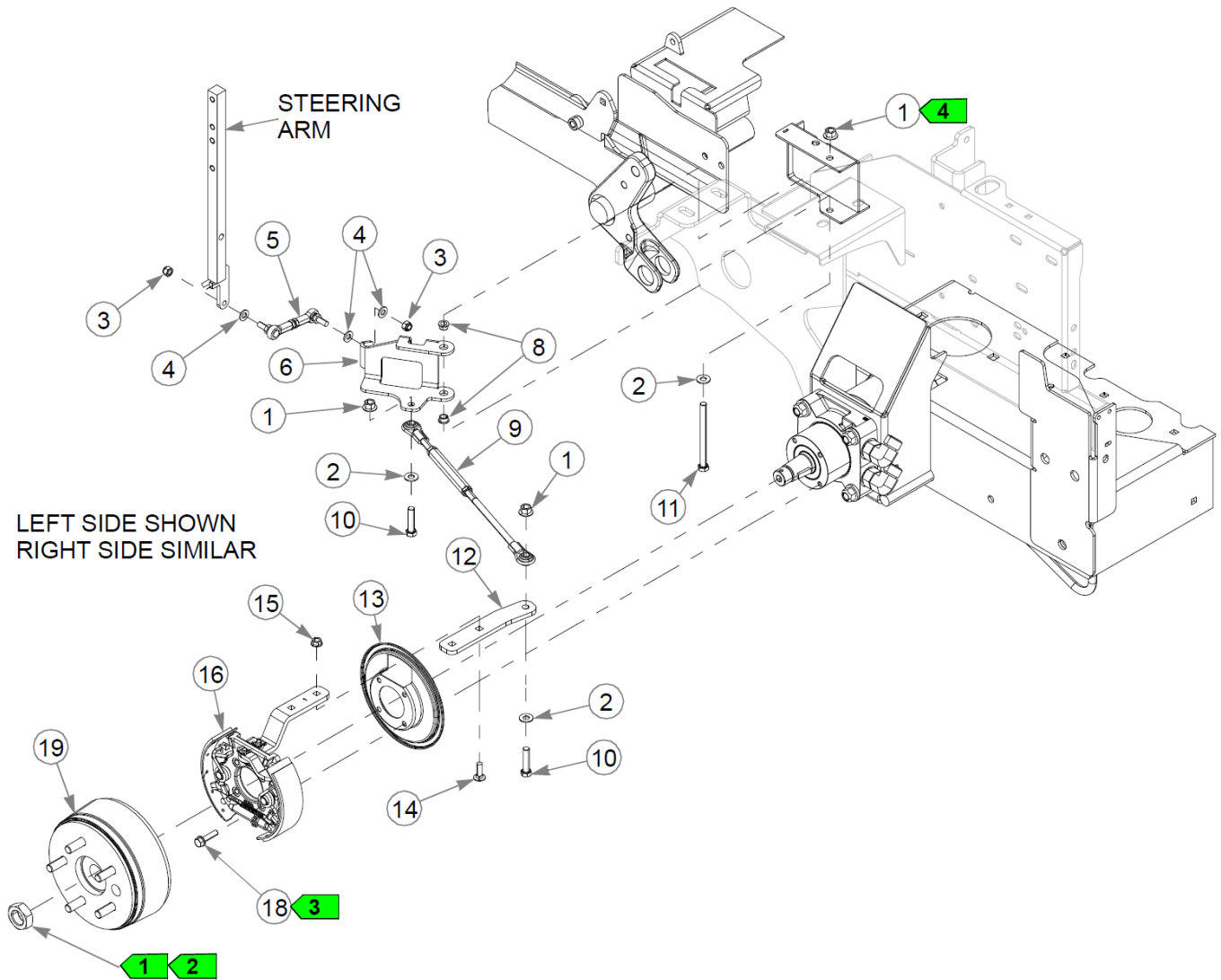
A. 5.5" ± 0.3" (13.97 cm ± 0.8 cm)



Item	Part No.	Qty	Name
1	112899	1	STEERING BOX W/A LH
2	128555-4	1	STEERING ARM W/A
3	767954	6	FW 0.379X.82X.06 HD ZN
4	086660	3	NT .375-16NLG8
5	705178	3	CS .375-16X1.750HXG5
6	348862	2	STEERLEVER BUSHING (PLA
7	797738	1	SS .500-13X2.000SH
8	047456	1	GM .750X.188X1.00X.12
9	608000	2	BUSHING



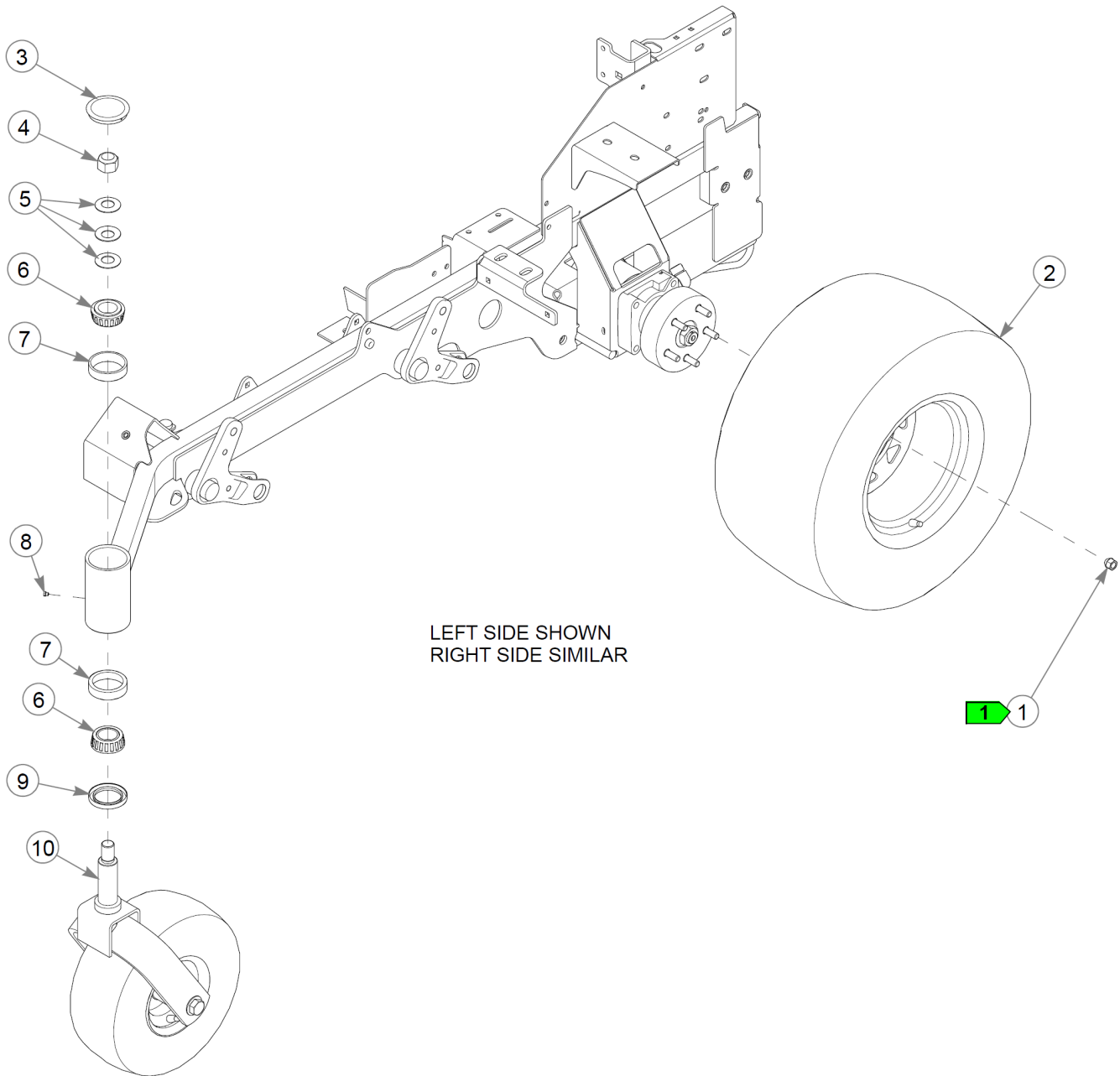
Item	Part No.	Qty	Name
1	112898	1	STEERING BOX W/A, RH
2	128555-4	1	STEERING ARM W/A
3	767954	6	FW 0.379X.82X.06 HD ZN
4	086660	3	NT .375-16NLG8
5	705178	3	CS .375-16X1.750HXG5
6	348862	2	STEERLEVER BUSHING (PLA
7	797738	1	SS .500-13X2.000SH
8	047456	1	GM .750X.188X1.00X.12
9	608000	2	BUSHING



Item	Part No.	Qty	Name
1	604515	6	NT .375-16 FL NY GF
2	767954	6	FW 0.379X.82X.06 HD ZN
3	023655	4	NT 0.312-24 NL G8
4	768523	6	FW 0.343SAE
5	781583	2	BRAKE ROD ASSEMBLY
6	126647-3	1	BELLCRANK, LH
7	126648-3	1	BELLCRANK, RH
8	765339	4	BUSHING,IGUS#0608 (FS)
9	350397	2	BRAKE LINK TURNBUCKLE A
10	705160	4	CS .375-16X1.625HXG5
11	052514	2	CS .375-16X4.500HXG5
12	126349-1	2	EXTENSION, BRAKE ARM
13	607896	2	DUST SHIELD
14	037887	4	CB .312-18X 1.000 FUL ZN
15	016832	4	NT .312-18FLKG5
16	607894	1	BRAKE ASSY, LH
17	607895	1	BRAKE ASSY, RH
18	607328	8	CS .312-18X1.25HXG8 FL
19	607893	2	DRUM HUB ASSEMBLY

Comments for Page: Brake Install

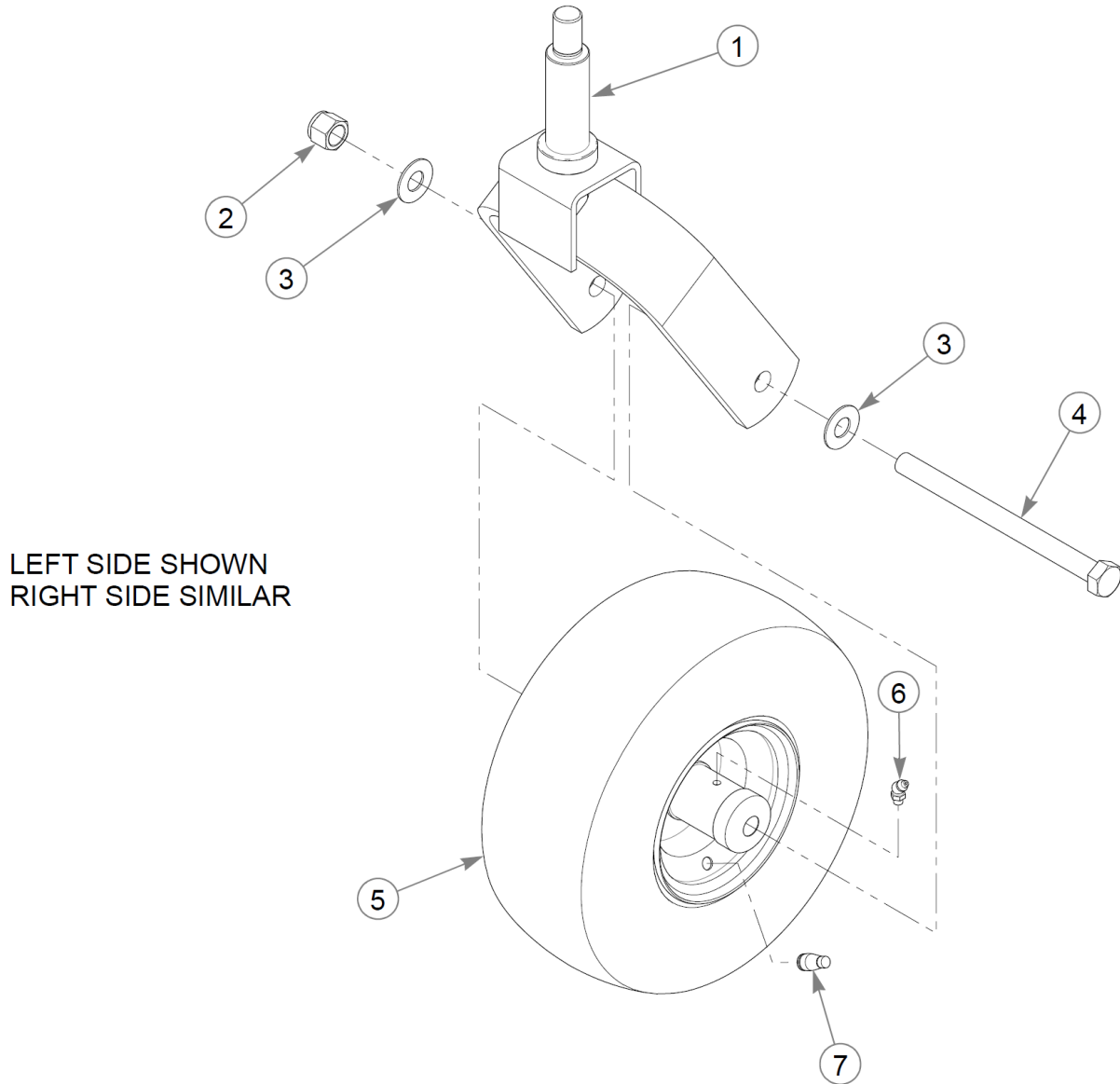
1. Included with the wheel motor.
2. Torque to 300 ft-lbs. (406.7 N•m)
3. Torque to 20-25 ft-lbs. (27-33 N•m)
4. Do not torque; the nut should be snug but allow the brake bellcrank to pivot freely.



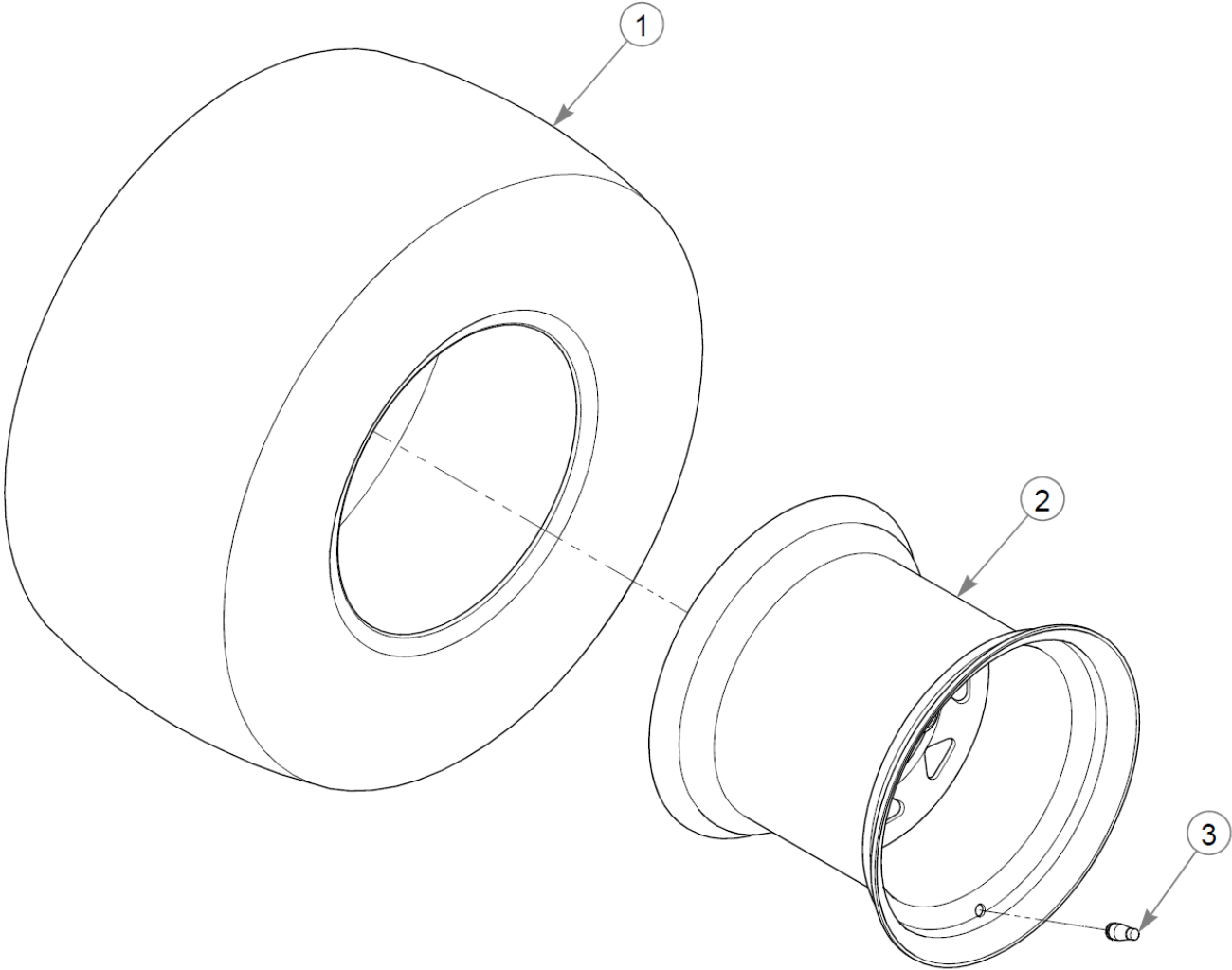
Item	Part No.	Qty	Name
1	061077	10	WHEEL NUT
2	607537	2	TIR/WHL 26X12.00-12 BLK
3	608943	2	DUST CAP
4	606721	2	NT 1.00-8 HX ZN NL
5	606720	6	CW 1.00 X 2.00 X .13
6	606717	4	BEARING, TAPERED ROLLER
7	606716	4	RACE, TAPERED ROLLER
8	606817	2	GREASE PLUG
9	606718	2	SEAL 2.063 X 3.00
10		2	REFER TO "FRONT WHEEL ASSEMBLY"

Comments for Page: Wheels & Tires

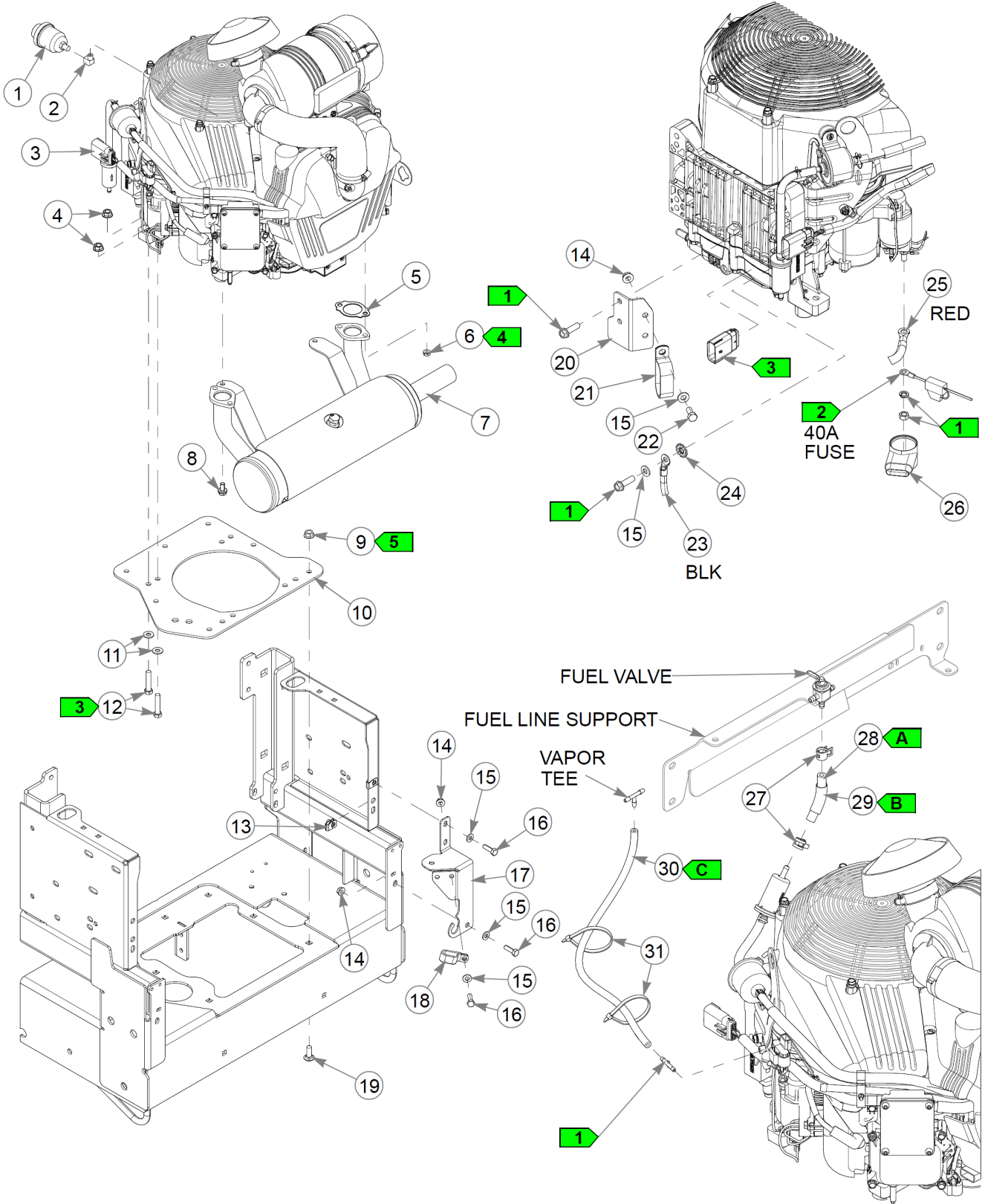
1. Torque to 65–75 ft-lbs. (88-101 N•m)



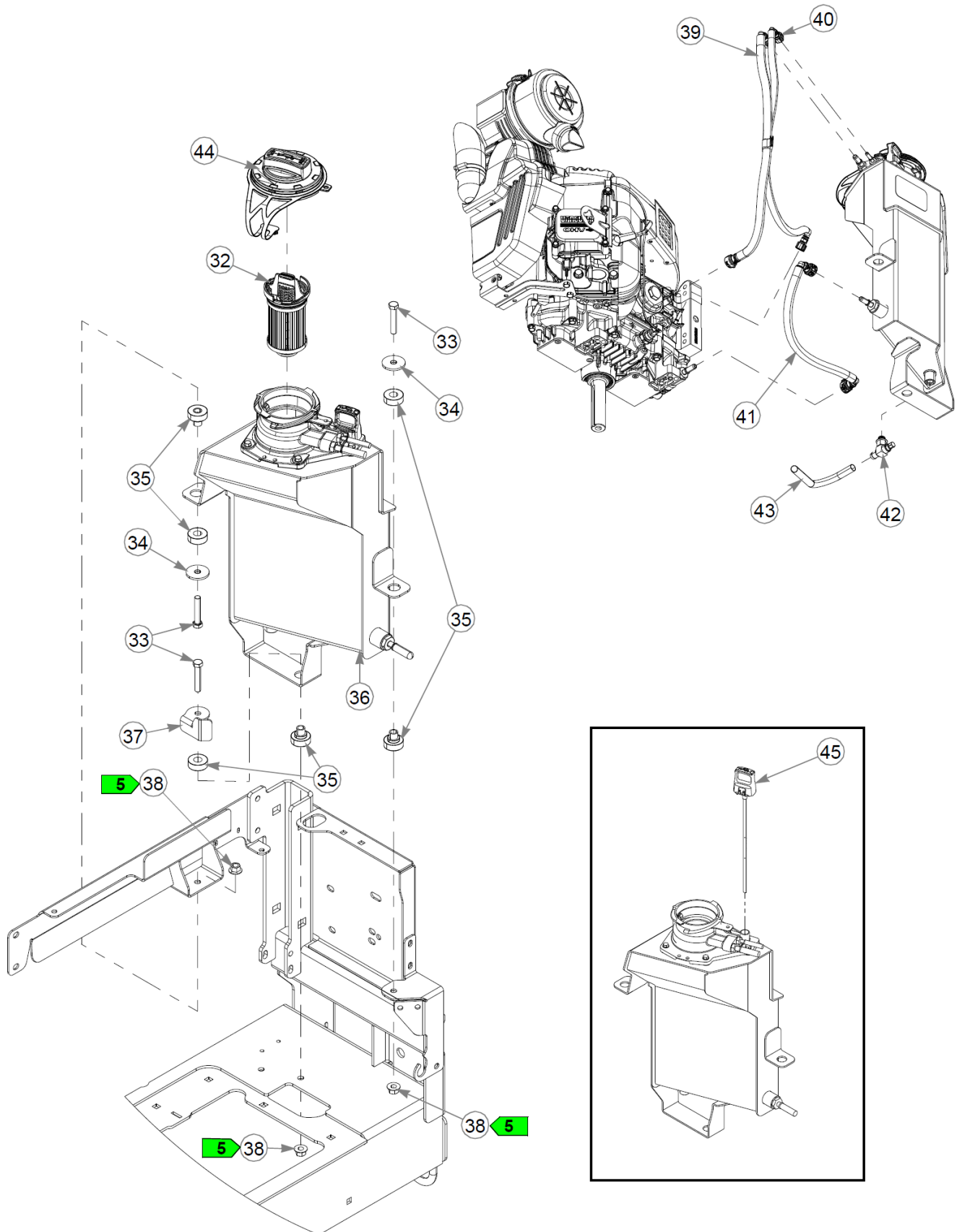
Item	Part No.	Qty	Name
1	123647-6	1	W/A, CASTER FORK
2	061101	1	NT .750-10 HX ZN NL GR B
3	025296	2	FW .760X1.63X0.08 ZN
4	041475	1	CS .750-10X9.50 HX G5 ZN
5	607528	1	TIR/WHL 15X6.00-6 BLK
6	606126	1	GREASE FITTING, M8X1.0
7	019521	1	TIRE VALVE TR-412 GOODY



Item	Part No.	Qty	Name
1	603775	1	TIR 26X12.00-12 B6R GRMR
2	607538	1	WHEEL ASSY, 12 X 10.50
3	019521	1	TIRE VALVE TR-412 GOODY



This page intentionally left blank



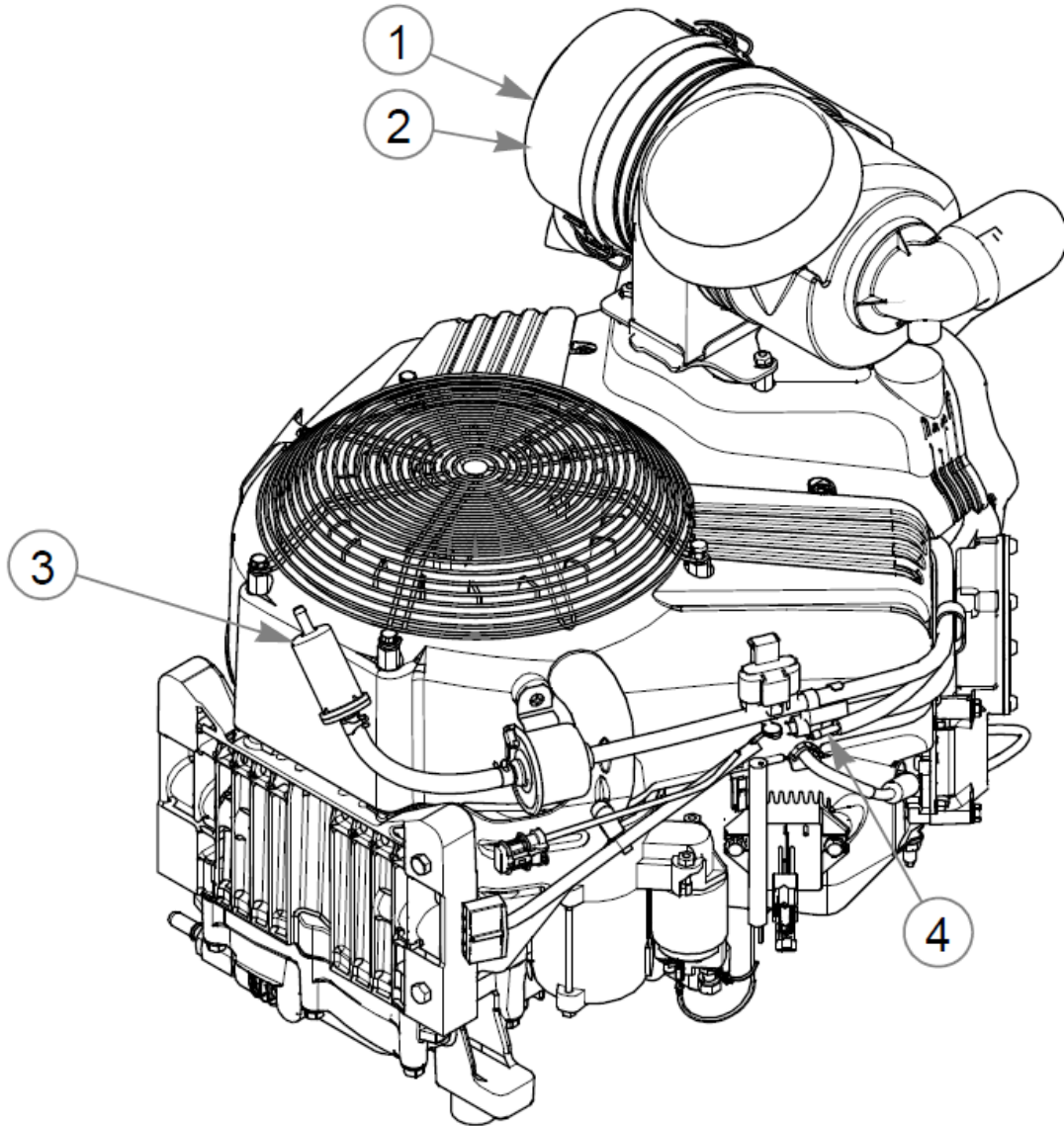
Item	Part No.	Qty	Name
1	788943	1	AIR FILTER INDICATOR
2	601216	1	FTG, ELBOW, STREET
3		1	ENGINE, VANGUARD M61 EFI OG
4	607622	8	NT .375-16 HXFLX G8 ZN
5	608817	2	GASKET, M61 EXH
6	608818	4	NUT, M61 EXH
7	607108	1	MUFFLER, BAS M61 EFI
8	720516	2	CS M8-1.25X16HX FL10.9
9	016899	7	NT .375-16 FLKG5
10	128400-4	1	SUPPORT - ENGINE
11	767954	8	FW 0.379X.82X.06 HD ZN
12	607116	8	CS 0.375-16X1.750 G8ZN
13	601069	2	CN .312-18x.200 MAX THK
14	016832	3	NT .312-18FLKG5
15	768523	6	FW 0.343SAE
16	036236	4	CS .312-18X1.000HXG5
17	129735-1	1	SUPPORT - RESERVOIR
18	043646	1	CLAMP, CUSHIONED DOUBLE
19	025395	7	CB .375-16X 1.00 G5 ZN
20	125853-3	1	SUPPORT - CLAMP
21	045088	1	HOSE CLAMP 1" (FS)
22	034280	1	CS .312-18X0.750HXG5
23	606440	1	BATTERY CABLE, NEGATIVE
24	029876	1	LW .312 INTEXT ZN
25	606439	1	BATTERY CABLE, POSITIVE
26	609182	1	BOOT, RED
27	000323	2	CLIP, HOSE CLAMP
28	015818P	1	FUEL LINE, 1/4" - 6 FT
29	605215P	1	THERMAL SHIELD - 6 FT
30	603326P	1	VAPOR LINE, 3/16" - 7 FT
31	000331	2	WIRE TIE, SMALL/SHORT
32	607556	1	OIL GUARD(TM) FILTER
33	016410	3	CS .375-16X2.000HXG5
34	607590	2	FW .406 X 1.50 X .135 ZN
35	607424	3	ISOLATOR, OILGUARD

This page intentionally left blank

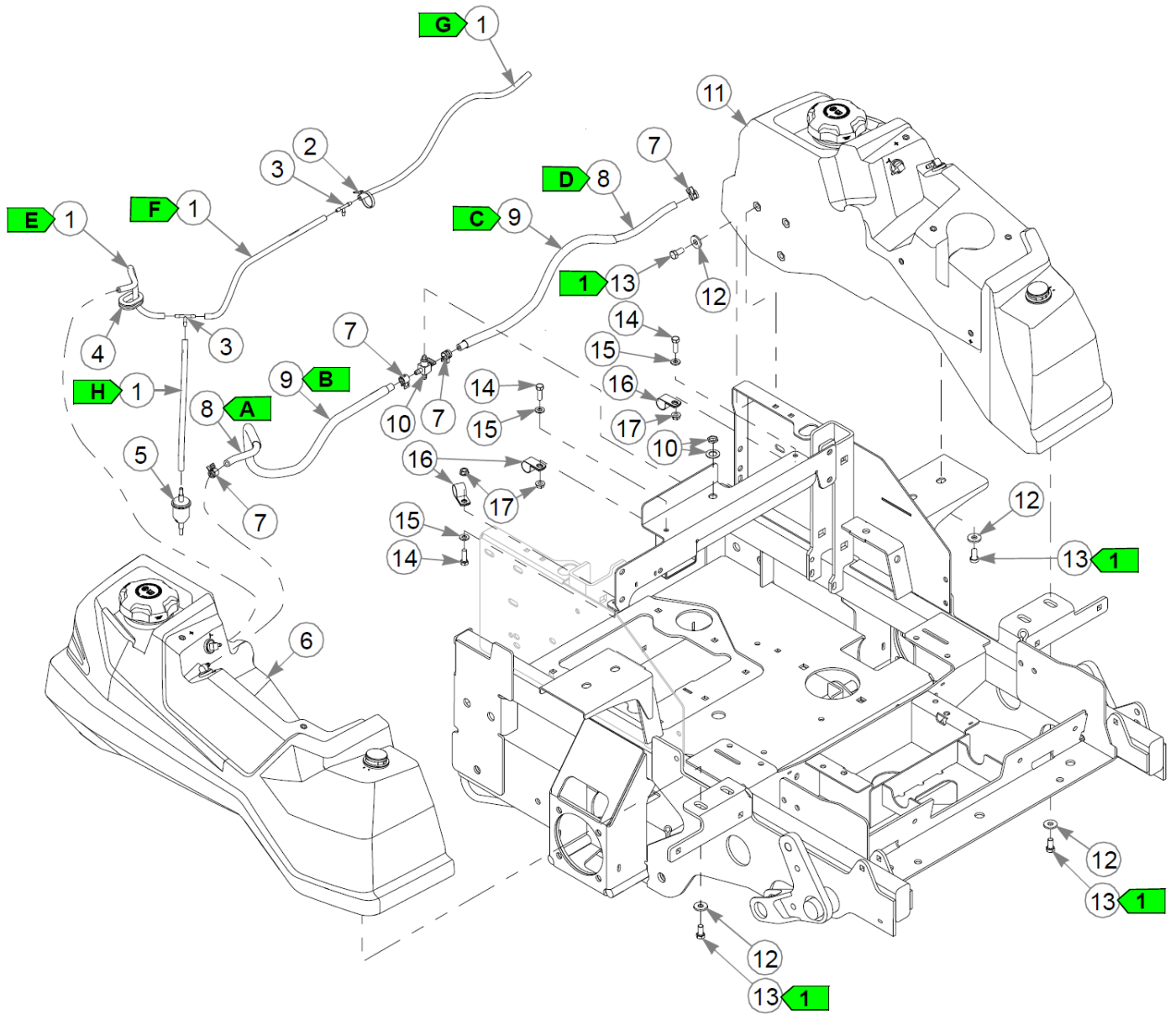
Item	Part No.	Qty	Name
36	607420	1	RESERVOIR, OILGUARD
37	128404-4	1	WASHER - FORMED
38	604515	3	NT .375-16 FL NY GF
39	608376	1	SCAVENGE HOSE, OG RED
40	607423	1	VENT HOSE, OILGUARD
41	608375	1	SUPPLY HOSE, OG GREEN
42	607471	1	DRAIN VALVE
43	604463P	1	HOSE, OIL DRAIN - 1 FT
44	607449	1	CAP, OILGUARD TANK
45	607450	1	DIPSTICK, OILGUARD TANK

Comments for Page: Engine, Vanguard M61 Oil Guard (Mutli-Page)

- A. 3" valve to engine (fuel).
- B. 2.5" value to engine (fuel line thermal shield).
- C. 20" tee to engine (vapor).
- 1. Supplied with the engine.
- 2. Part of the wire harness.
- 3. Torque to 44 ft-lbs.
- 4. Torque to 17 ft-lbs.
- 5. Torque to 30 ft-lbs.



Item	Part No.	Qty	Name
1	785261	1	AIR FILTER - MAIN
2	785279	1	AIR FILTER - SAFETY
3	606194	1	FUEL FILTER - IN LINE
4	604807	1	VAPOR FITTING

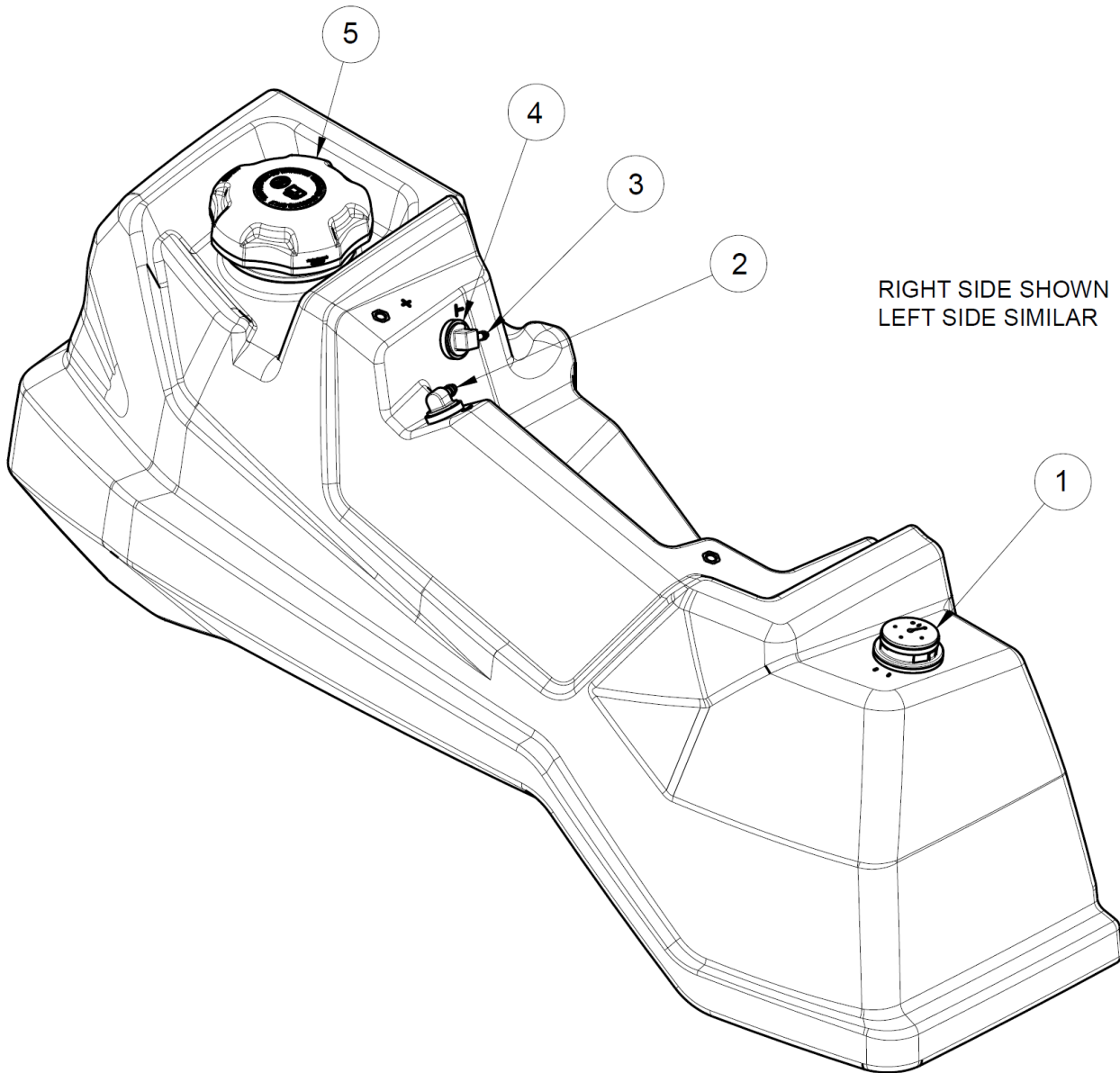


Item	Part No.	Qty	Name
1	603326P	1	VAPOR LINE, 3/16" - 7 FT
2	000331	1	WIRE TIE, SMALL/SHORT
3	604281	2	TEE, 3/16" PLASTIC
4	706531	1	GM 1.12X1.75X1.37X.12
5	604323	1	VAPOR SYSTEM FILTER
6	609102	1	TANK ASM - FUEL, R
7	000323	4	CLIP, HOSE CLAMP
8	015818P	1	FUEL LINE, 1/4" - 6 FT
9	605215P	1	THERMAL SHIELD - 6 FT
10	745059	1	FUEL VALVE 3-WAY
11	609100	1	TANK ASM - FUEL, L
12	712919	14	FW 0.406X1.00X.12 HD ZN
13	055822	14	CS .375-16X0.75 HX G5 ZN
14	036236	3	CS .312-18X1.000HXG5
15	768523	3	FW 0.343SAE
16	043570	3	CLIP - HOSE - SINGLE(FS)
17	016832	3	NT .312-18FLKG5

Comments for Page: Fuel System

1. Torque to 16 ft-lbs. (21 N•m)

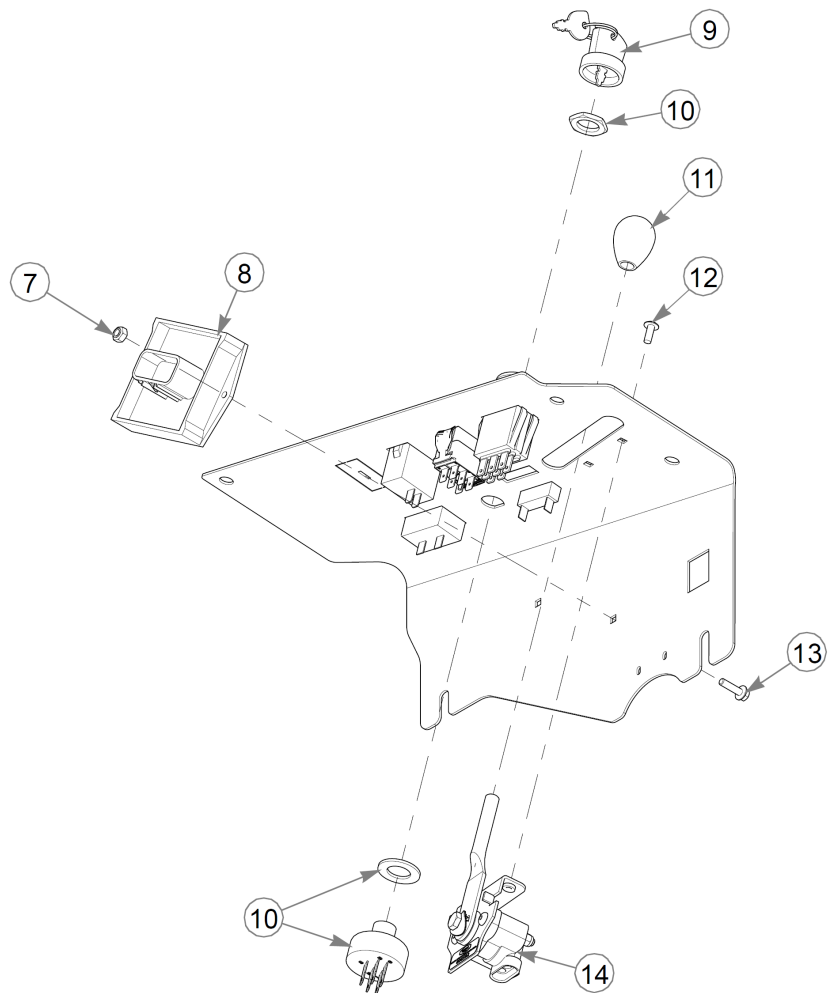
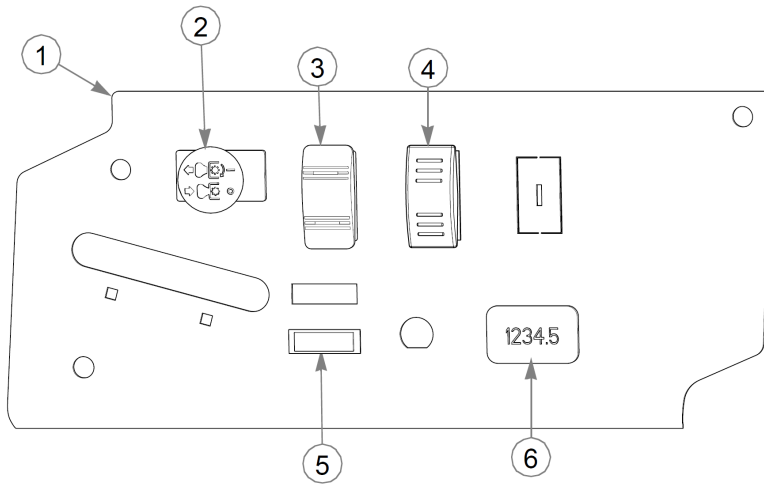
- A: 28" RIGHT TANK TO VALVE (FUEL) (71.12 cm)
- B: 25" RIGHT TANK TO VALVE (THERMAL SHIELD) (63.5 cm)
- C: 20" LEFT TANK TO VALVE (THERMAL SHIELD) (50.8 cm)
- D: 23" LEFT TANK TO VALVE (FUEL) (58.42 cm)
- E: 18" RIGHT TANK TO TEE (VAPOR) (45.72 cm)
- F: 13" TEE TO TEE (VAPOR) (33.02 cm)
- G: 18" LEFT TANK TO TEE (VAPOR) (45.72 cm)
- H: 12" TEE TO FILTER (VAPOR) (30.48 cm)



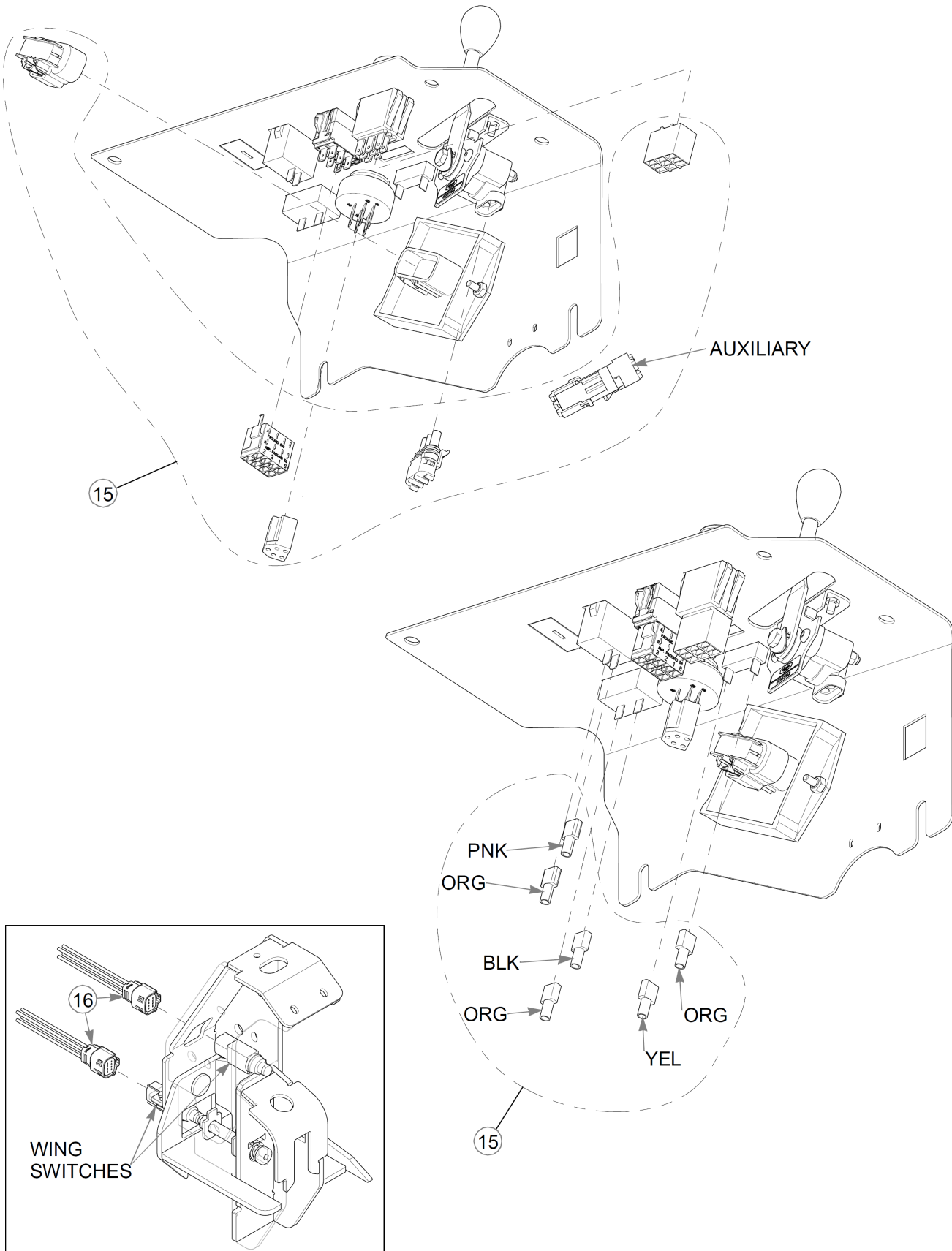
SERVICE PARTS - 609100 & 609102 Fuel
Tanks

Super 104 Parts Manual - 944066 -
HTSWSR104BASVANM61TEOGA

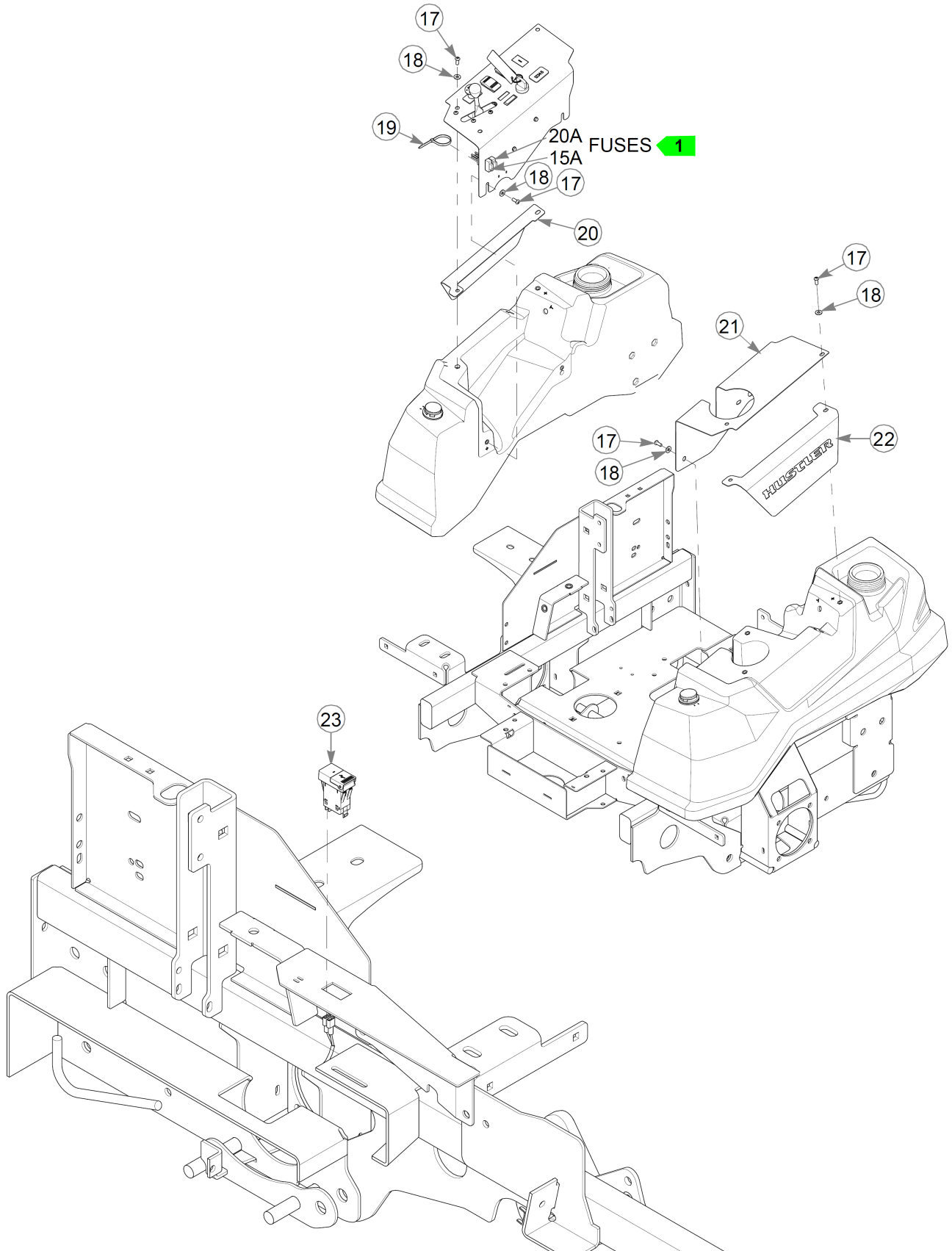
Item	Part No.	Qty	Name
	609100		TANK ASM - FUEL, L
	609102		TANK ASM - FUEL, R
1	608497K	1	SVC KIT, FUEL GAUGE
2	607149K	1	SUCTION HOSE SVC KIT
3	604287K	1	VENT FITTING SVC KIT
4	604200K	1	GROMMET SVC KIT
5	608995	1	CAP - RATCHET 350



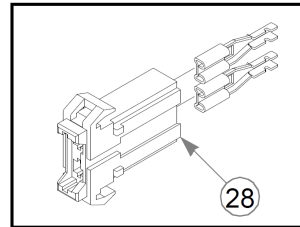
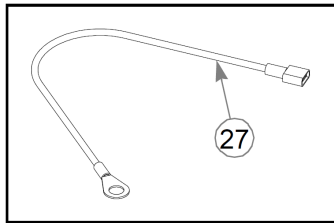
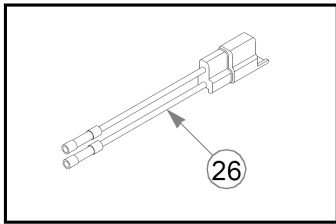
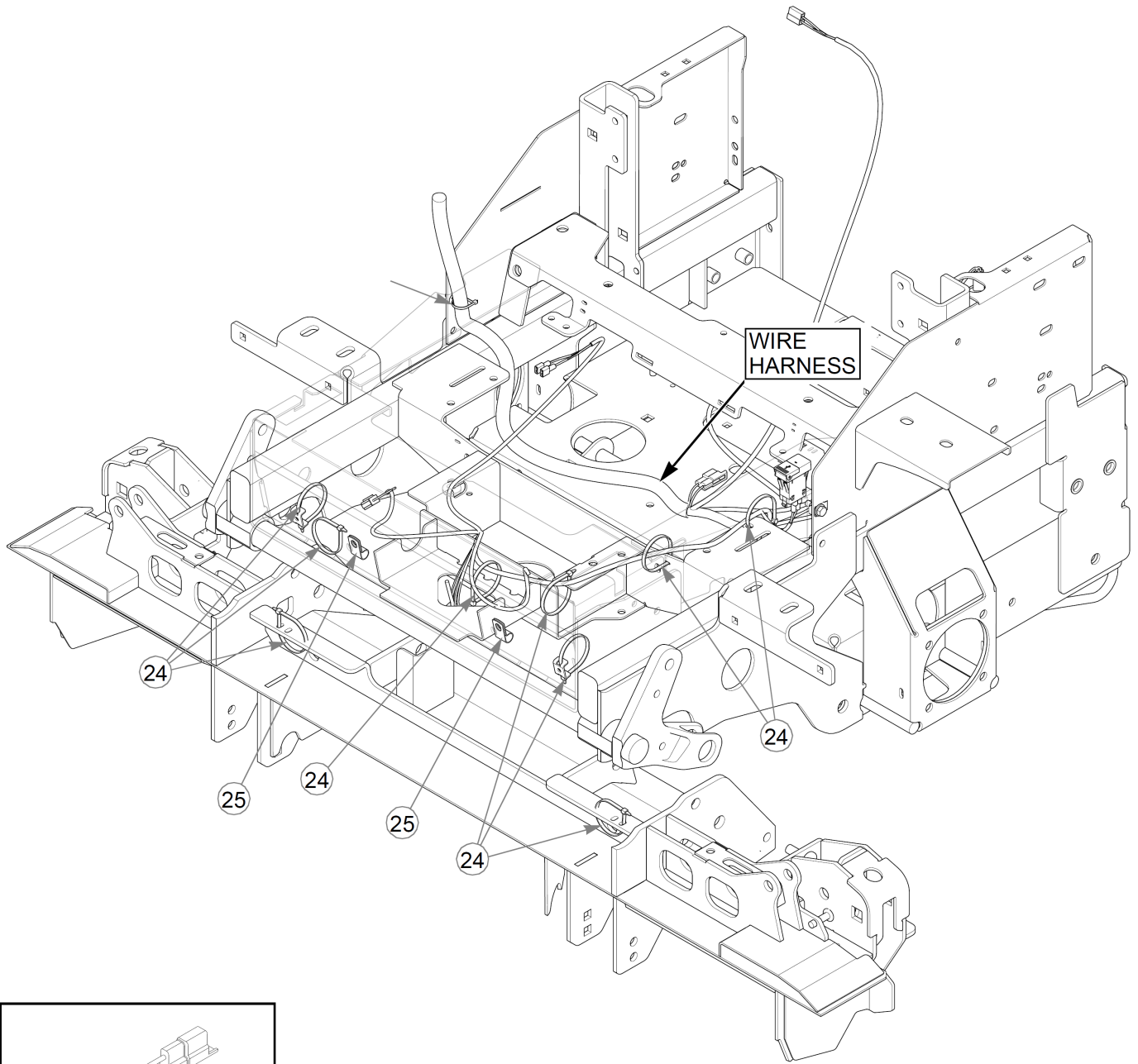
This page intentionally left blank



This page intentionally left blank



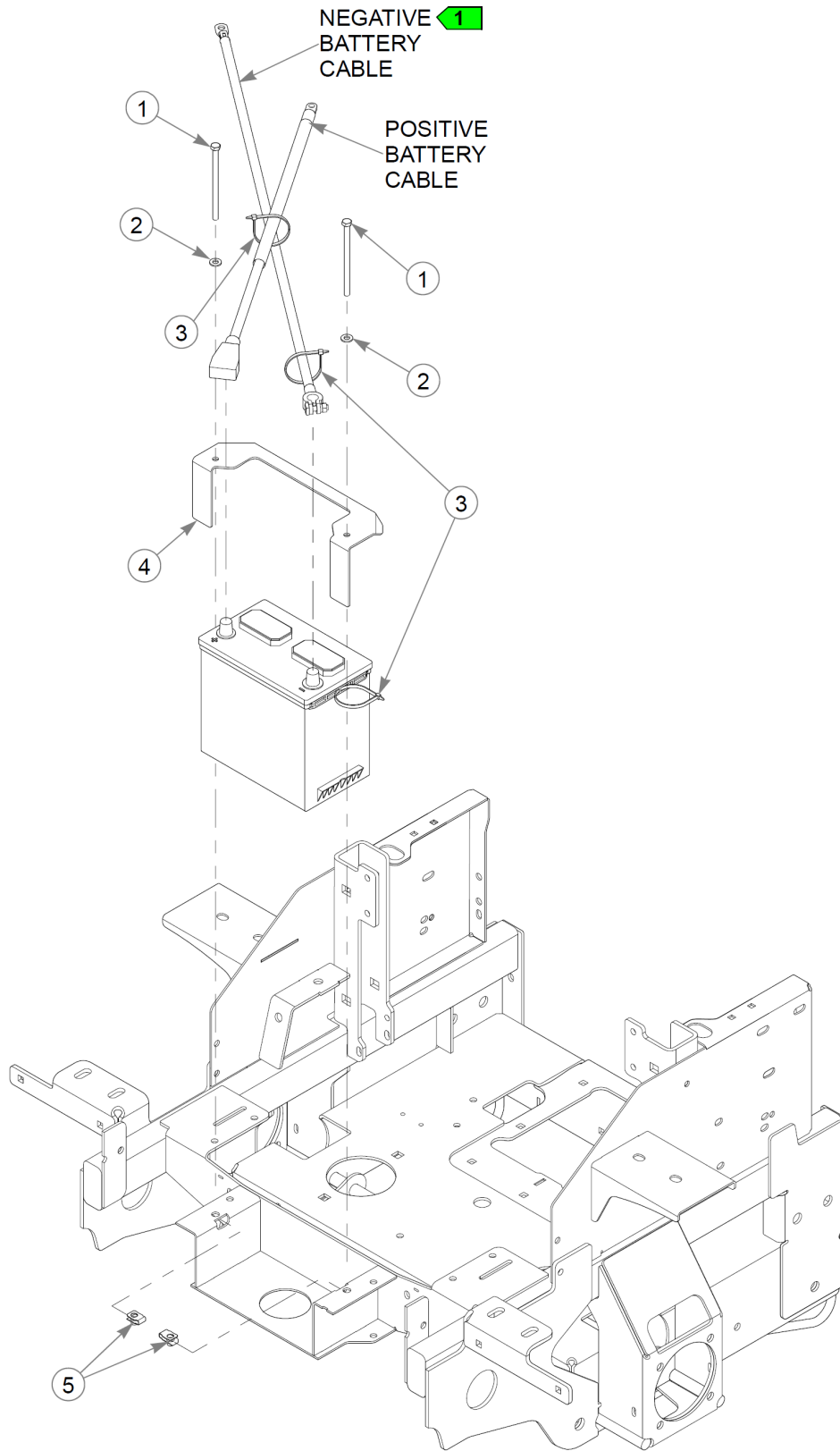
This page intentionally left blank



Item	Part No.	Qty	Name
1	129615-1	1	PANEL, INSTRUMENT
2	776476	1	SWITCH, PTO 6201-321
3	606591	1	SWITCH, ROCKER DPDT
4	604885	1	SWITCH, ROCKER
5	712257	1	INDICATOR LIGHT, RED(FS)
6	769166	1	HOUR METER
7	059832	2	NT #10-24 HX NL ZN
8	604373	1	RELAY CONTROL MODULE
9	785808	1	KEY ASSEMBLY
10	045898	1	IGNITION SWITCH
11	603523	1	KNOB
12	606851	2	CS 10-24X .500 PH SH ZN
13	063198	2	CS #10-24X0.750FLKG5
14	606592	1	THROTTLE CONTROL, EFI
15	609169	1	WIRE HARNESS, S104
16	604085	1	WIRE HARNESS, WING
17	608598	8	CS .250-20 X .625 BH TX
18	605628	8	FW 0.281X.63X.07 ZB
19	000430	1	WIRE TIE, SMALL/LONG
20	129617-1	1	PANEL, LOGO RH
21	129738-1	1	PANEL, CUP HOLDER
22	129737-1	1	PANEL, LOGO LH
23	609264	1	USB PORT SINGLE CHARGE
24	000331	10	WIRE TIE, SMALL/SHORT
25	000398	2	CLAMP
26	114052	1	KIT, CLUTCH CONN. REP.
27	604430	1	WIRE HARNESS
28	601047	1	HOLDER, FUSE

Comments for Page: Instrument Panel & Wire Harness

1. Part of the wire harness.

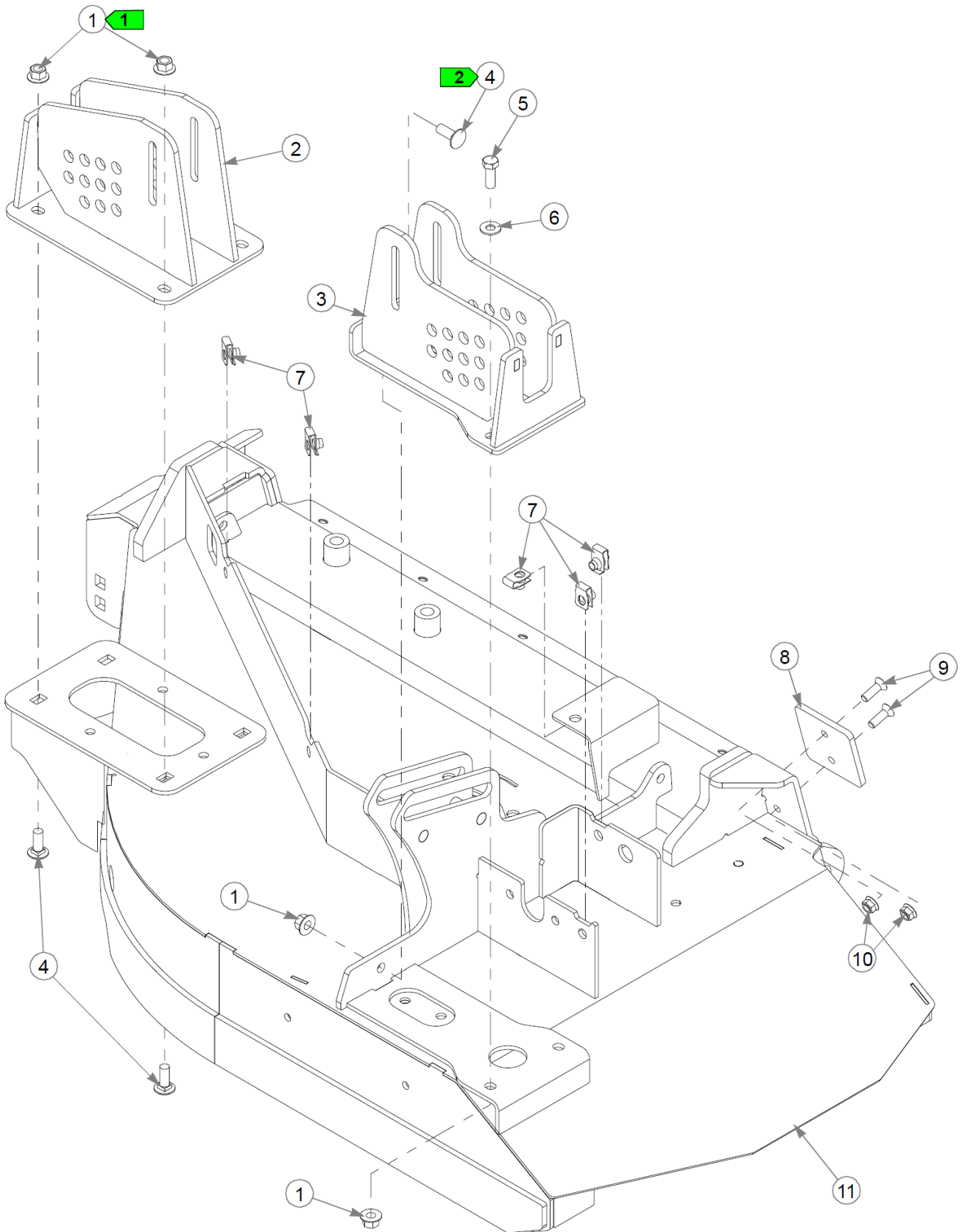


Battery

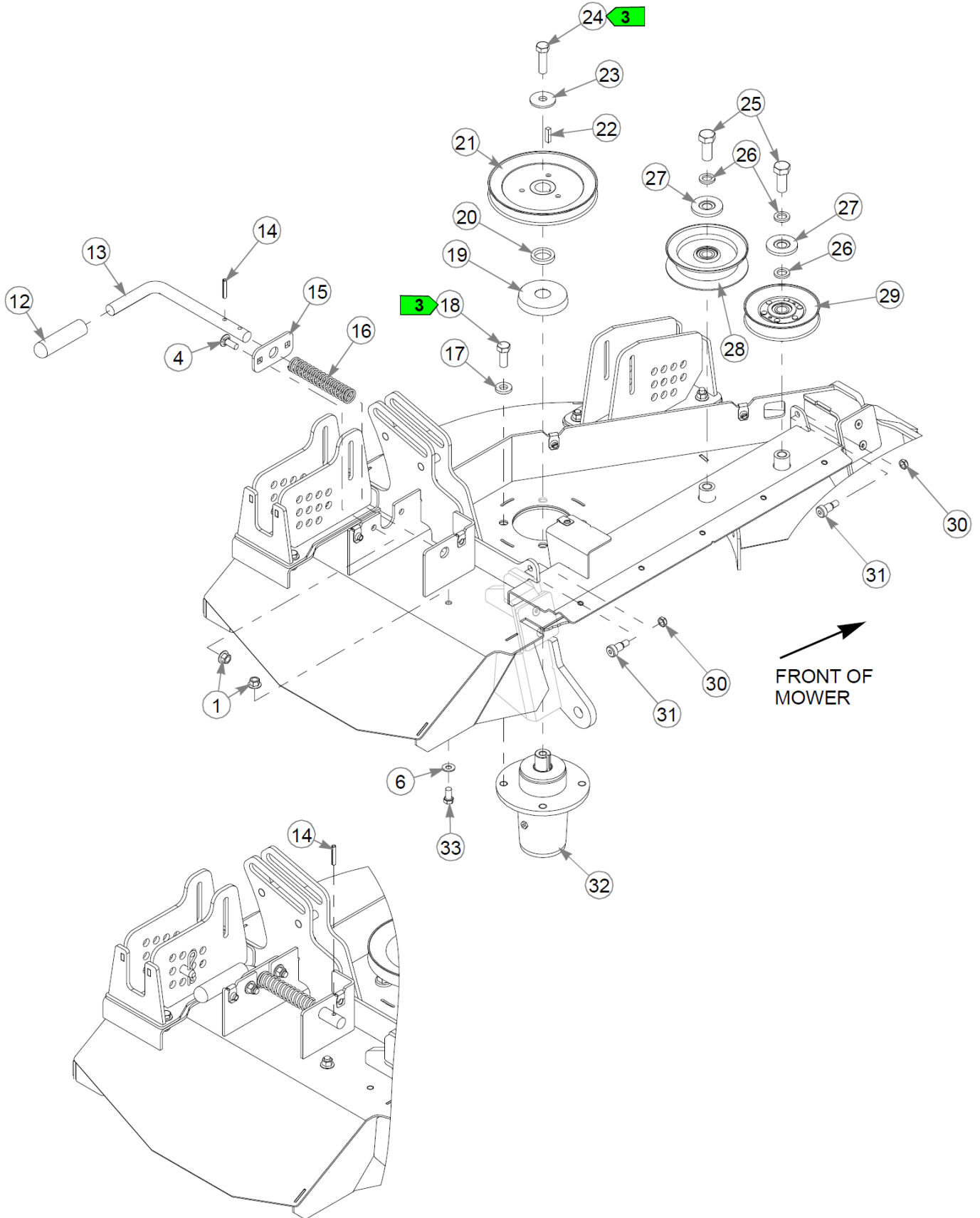
Item	Part No.	Qty	Name
1	050823	2	CS .312-18X5.000HXG5
2	768523	2	FW 0.343SAE
3	000331	3	WIRE TIE, SMALL/SHORT
4	124387-6	1	BATTERY STRAP
5	601069	2	CN .312-18x.200 MAX THK

Comments for Page: Battery

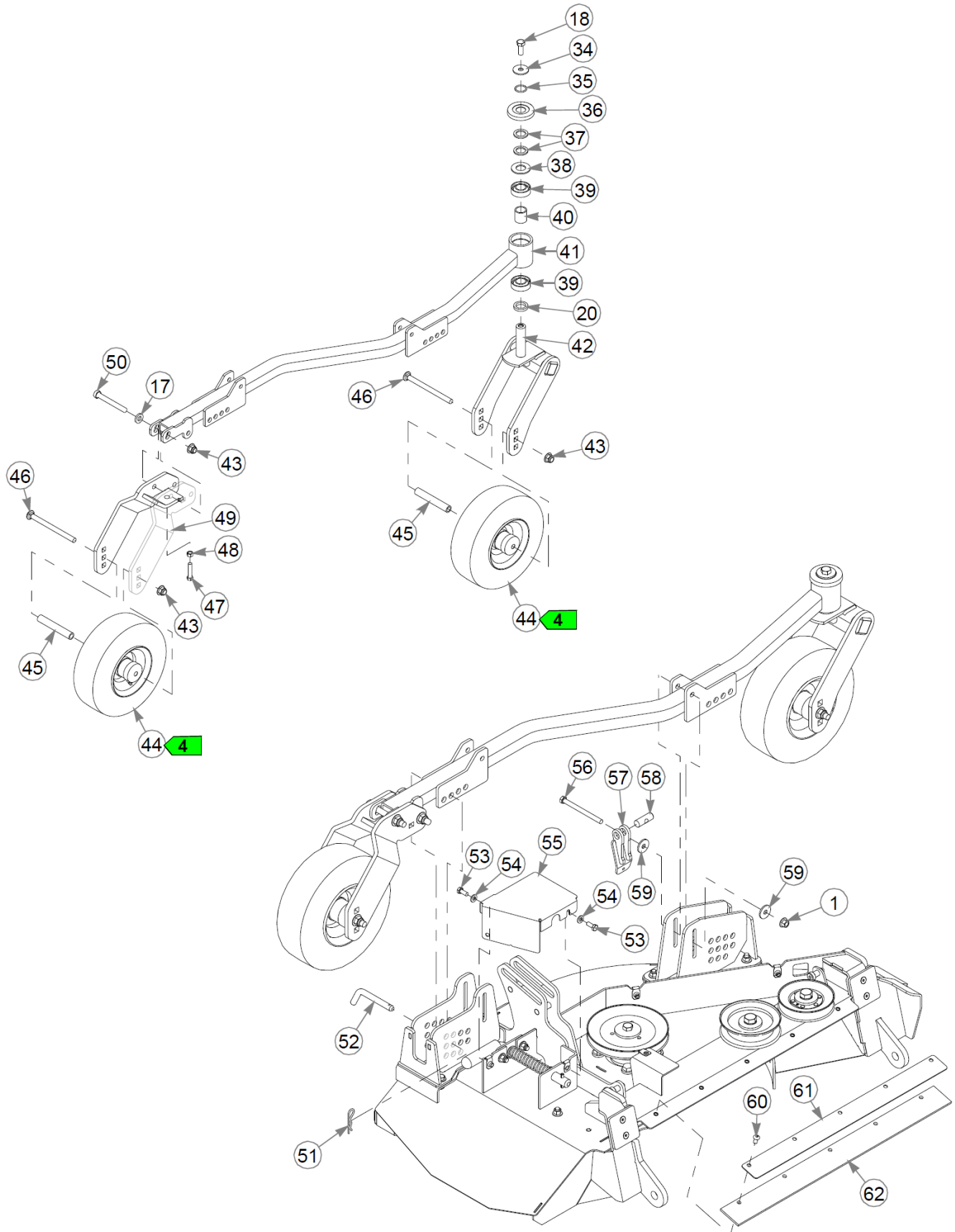
1. When performing service on the mower, disconnect the negative battery cable and do not reconnect it to the battery until ready to start the engine.



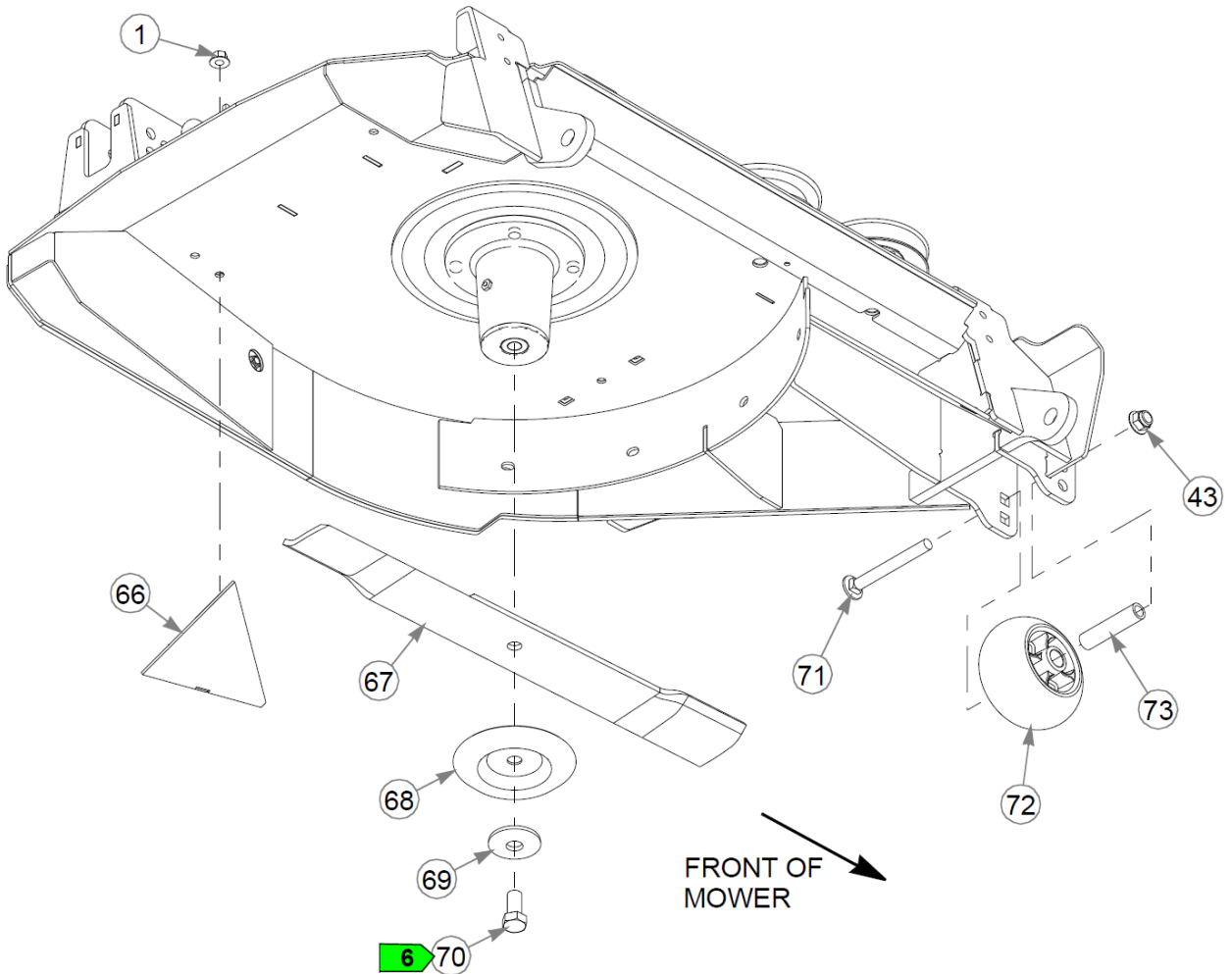
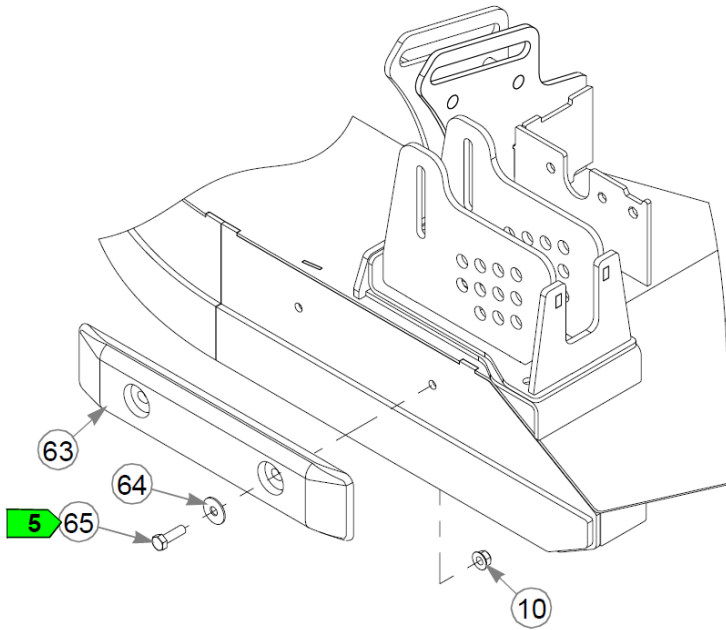
This page intentionally left blank



This page intentionally left blank



This page intentionally left blank



Item	Part No.	Qty	Name
1	604515	13	NT .375-16 FL NY GF
2	129714-1	1	HEIGHT BOX W/A, FRONT
3	129718-1	1	HEIGHT BOX W/A, REAR
4	025395	7	CB .375-16X 1.00 G5 ZN
5	036244	2	CS .375-16X1.00 HX G5 ZN
6	767954	3	FW 0.379X.82X.06 HD ZN
7	601069	5	CN .312-18x.200 MAX THK
8	604088	2	STOP PAD, WING
9	604086	4	CS .312-18X1.00 FLTSH ZN
10	608059	4	NT .312-18 FL NY G5
11	129916	1	SVC DECK, 129421 US
12	603964	1	GRIP, .75X4.00 BLACK
13	116573	1	PIN, LATCH
14	005124	2	RP0.250X1.375 ZN
15	116574	1	PLATE, LATCH
16	603958	1	SPRING, COMPRESSION
17	767962	6	FW .531 x 1.063 x .175
18	705954	5	CS .500-13X1.25 HX G5 ZN
19	607409-4	1	DUST SHIELD
20	469924	2	GAGE WHEEL SPACER 1/4"
21	538850	1	PULLEY, DRIVE(723486) B
22	212472	1	KEY 1/4 SQ X 1.00 LG(FS)
23	752386	1	CW .505 X 1.625 X .140
24	017616	1	CS .500-13X1.750HXG5
25	794446	2	CS .625-11X1.500HXG5
26	028118	3	FW 0.625X1.00X.13 ZN
27	603057	2	DUST SHIELD W/OFFSET
28	603784	1	IDLER, FLAT 4.0" DEEP
29	605978	1	PULLEY, SPLIT IDLER
30	603846	2	NT .375-16 HX NL JAM ZN
31	060541	2	SB .500X0.625SH0.375-16
32	607408	1	SPINDLE ASSY, DUCTILE
33	055822	1	CS .375-16X0.75 HX G5 ZN
34	798603	1	FW .515X1.65X.12 HD ZN
35	601375	1	O-RING, SAE-14

This page intentionally left blank

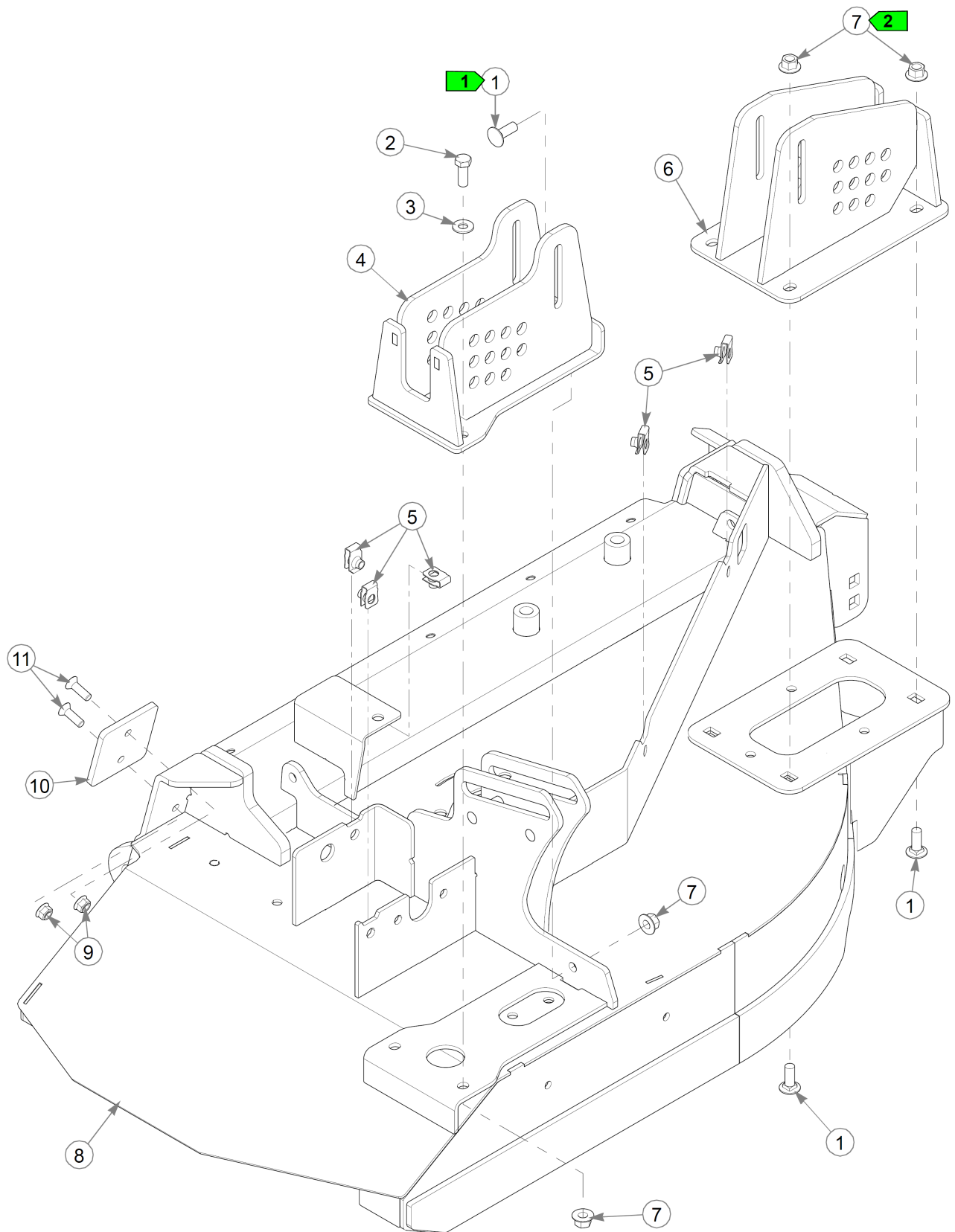
Item	Part No.	Qty	Name
36	603153	1	DUST CAP, SZ CASTER
37	045765	2	FW 1.030X1.50X.13 HD ZN
38	603164	1	BEARING DISC, FORK
39	784223	2	BEARING
40	784603	1	SPACER
41	129711-1	1	WING ARM, L W/A
42	606583	1	FLEX FORK
43	608880	5	NT .50-13 FL NY
44	606741	2	TIR/WHL 11X4.00-5 BLK
	606113	2	S/C TO 606740
45	306969	2	GAGE WHEEL SPACER
46	606381	2	CB .500-13X6.50 STD ZN
47	600878	1	CS .375-16X1.75 G5 FULTD
48	054502	1	NT .375-16HXG5
49	129736-6	1	FORK W/A, GAGE
50	089938	2	CS .500-13X4.000HXG5
51	017301	2	HP .125 X2.375 ZN
52	609207	2	CE 0.50 X 3.00 HITCH PIN
53	034280	2	CS .312-18X0.750HXG5
54	768523	2	FW 0.343SAE
55	129439-1	1	COVER, LATCH LH
56	052514	2	CS .375-16X4.500HXG5
57	129721-6	2	OVER LATCH W/A
58	607970	2	PIVOT, DECK LIFT
59	712893	4	FW 0.406X1.25X.12 HD ZN
60	603022	5	CS .312-18X.625 BH ZN
61	116614	1	PLATE, FLAP CLAMP
62	603855	1	FLAP, WING INTERSECTION
63	604183	1	BUMPER, TRIM EDGE FLAT
64	079210	2	FW 0.344X1.0X0.06 ZN
65	036236	2	CS .312-18X1.000HXG5
66	125953-1	1	RAMP PNT, LH WING
67	606392	1	BLADE, 23.86" L-F-CCW
	796508	1	BLADE, F23.86-L-F-CCW
	601929	1	BLADE, 23.86" GAT-F-CCW

This page intentionally left blank

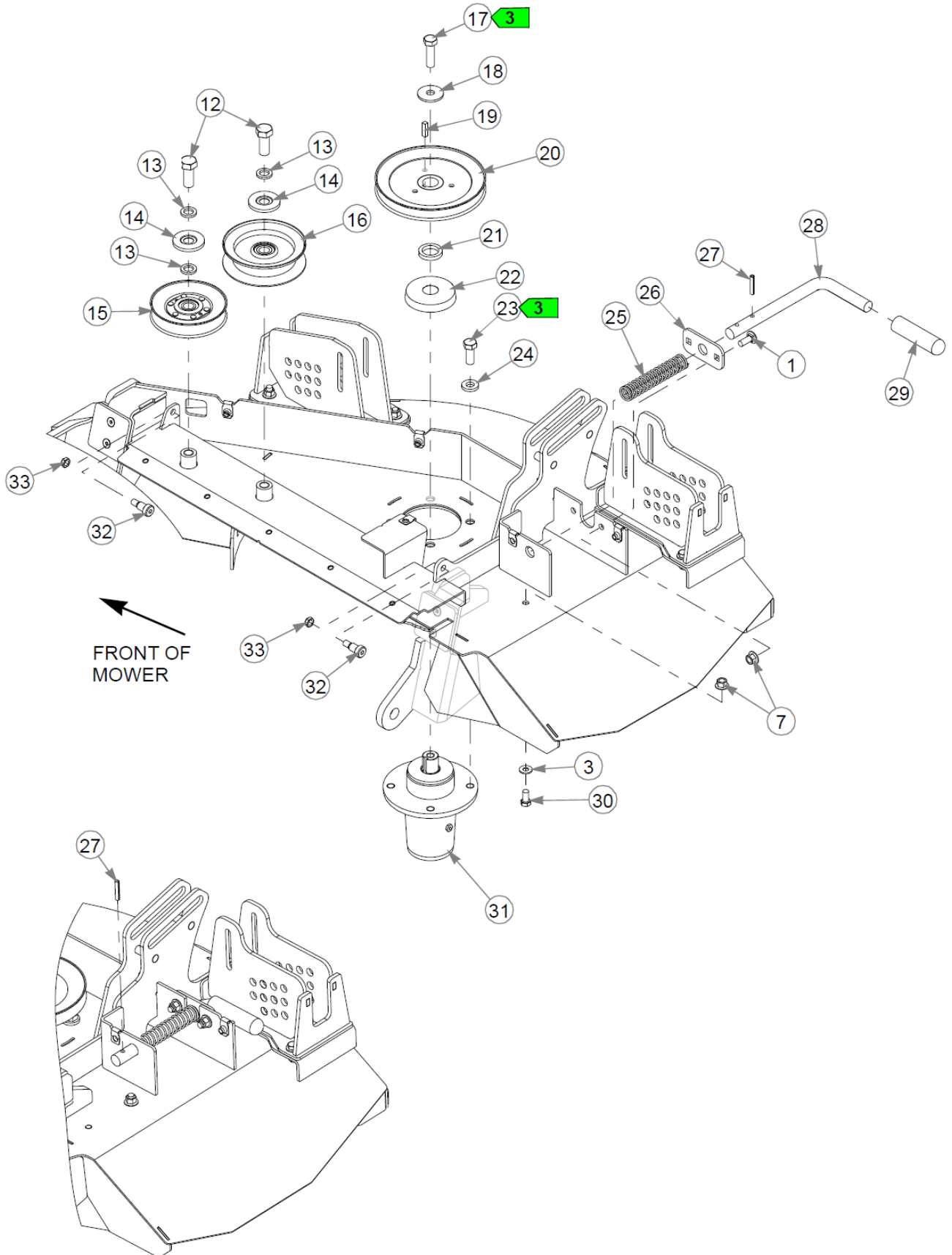
Item	Part No.	Qty	Name
	604164	1	BLADE, 23.86"-MUL-F-CCW
68	114988	1	SHIELD, BLADE BOLT
69	782474	1	CW .678 X 2.250 X .187
70	604383	1	CS .625-11X1.250 G5 LHT
71	602339	1	CB .50-13 X 4.50 STD ZN
72	602263	1	WHEEL, ANTI-SCALP
73	602345	1	SPACER, ANTI-SCALP 3.22

Comments for Page: Left Side Service Deck

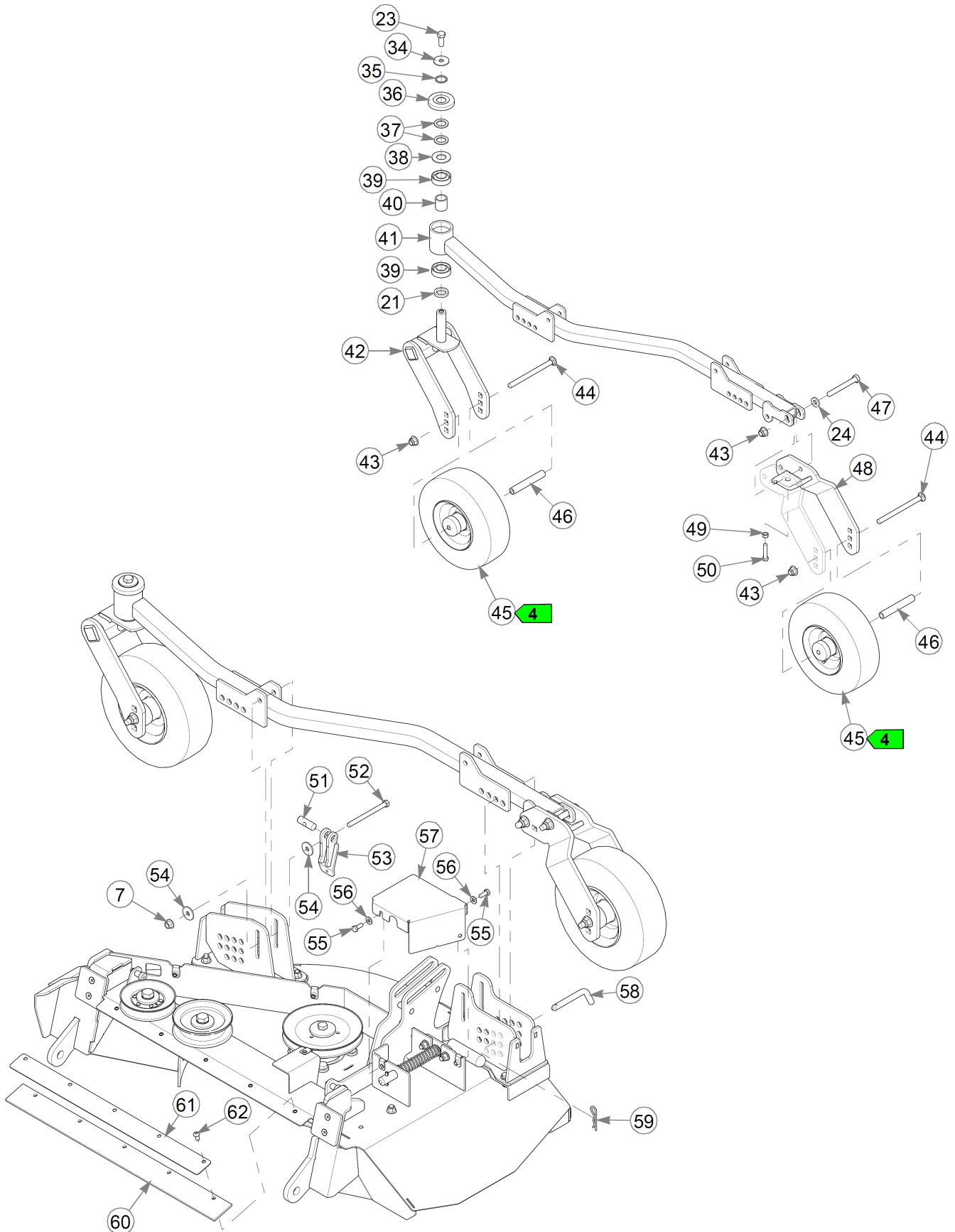
1. Torque to 30 ft-lbs. first. (40 N•m)
2. Torque to 30 ft-lbs. (40 N•m)
2. Torque to 65–75 ft-lbs. (88-101 N•m)
3. Black wheel assembly—606741.
Silver wheel assembly—606113.
4. Torque to 10 ft-lbs. (13 N•m)
5. Torque to 118 ft-lbs. (160 N•m)



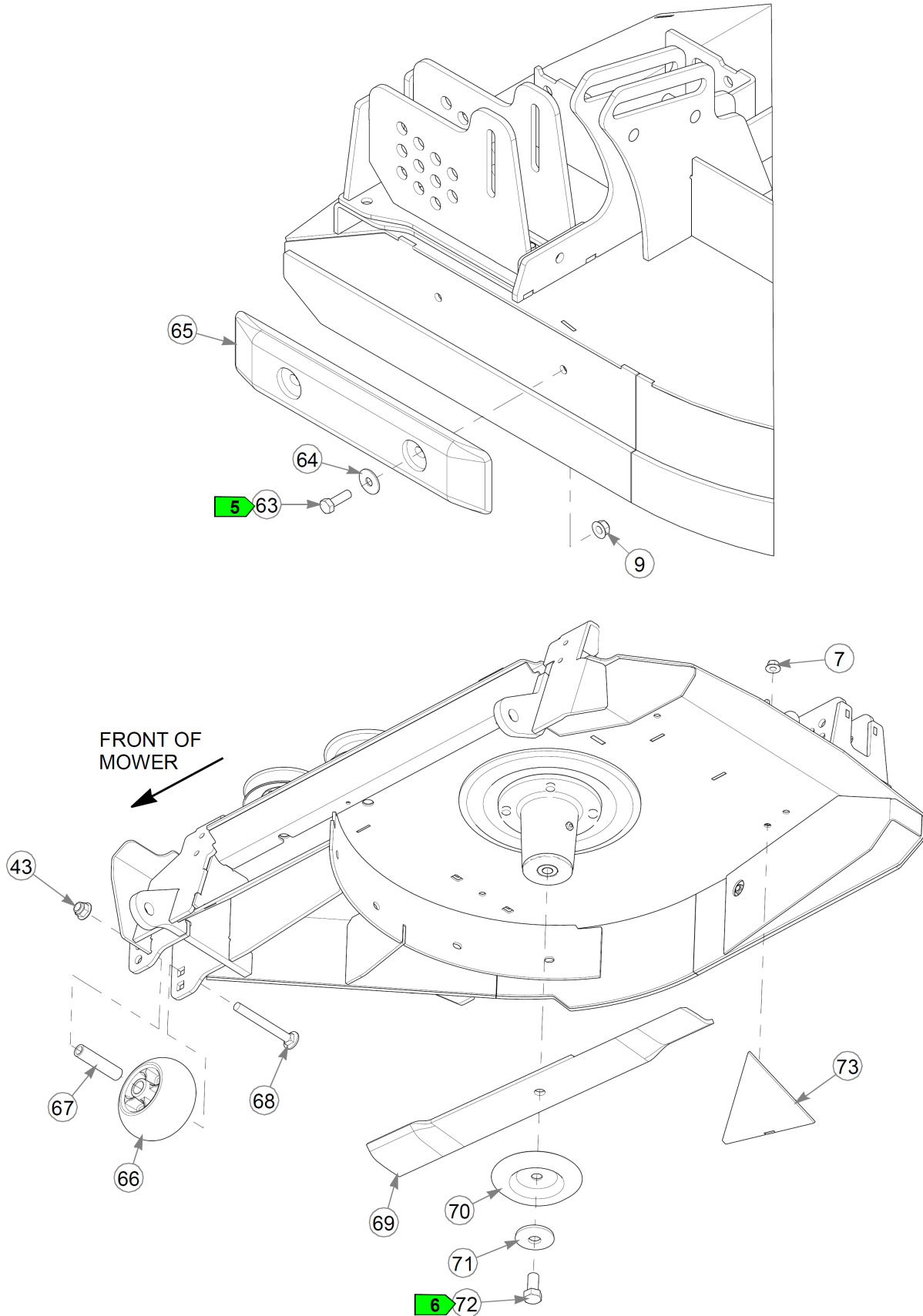
This page intentionally left blank



This page intentionally left blank



This page intentionally left blank



Item	Part No.	Qty	Name
1	025395	7	CB .375-16X 1.00 G5 ZN
2	036244	2	CS .375-16X1.00 HX G5 ZN
3	767954	3	FW 0.379X.82X.06 HD ZN
4	129718-1	1	HEIGHT BOX W/A, REAR
5	601069	5	CN .312-18x.200 MAX THK
6	129714-1	1	HEIGHT BOX W/A, FRONT
7	604515	13	NT .375-16 FL NY GF
8	129914	1	SVC DECK, 129411 US
9	608059	4	NT .312-18 FL NY G5
10	604088	2	STOP PAD, WING
11	604086	4	CS .312-18X1.00 FLTSH ZN
12	794446	2	CS .625-11X1.500HXG5
13	028118	3	FW 0.625X1.00X.13 ZN
14	603057	2	DUST SHIELD W/OFFSET
15	605978	1	PULLEY, SPLIT IDLER
16	603784	1	IDLER, FLAT 4.0" DEEP
17	017616	1	CS .500-13X1.750HXG5
18	752386	1	CW .505 X 1.625 X .140
19	212472	1	KEY 1/4 SQ X 1.00 LG(FS)
20	538850	1	PULLEY, DRIVE(723486) B
21	469924	2	GAGE WHEEL SPACER 1/4"
22	607409-4	1	DUST SHIELD
23	705954	5	CS .500-13X1.25 HX G5 ZN
24	767962	6	FW .531 x 1.063 x .175
25	603958	1	SPRING, COMPRESSION
26	116574	1	PLATE, LATCH
27	005124	2	RP0.250X1.375 ZN
28	116573	1	PIN, LATCH
29	603964	1	GRIP, .75X4.00 BLACK
30	055822	1	CS .375-16X0.75 HX G5 ZN
31	607407	1	SPINDLE ASSY, DUCTILE
32	060541	2	SB .500X0.625SH0.375-16
33	603846	2	NT .375-16 HX NL JAM ZN
34	798603	1	FW .515X1.65X.12 HD ZN
35	601375	1	O-RING, SAE-14

This page intentionally left blank

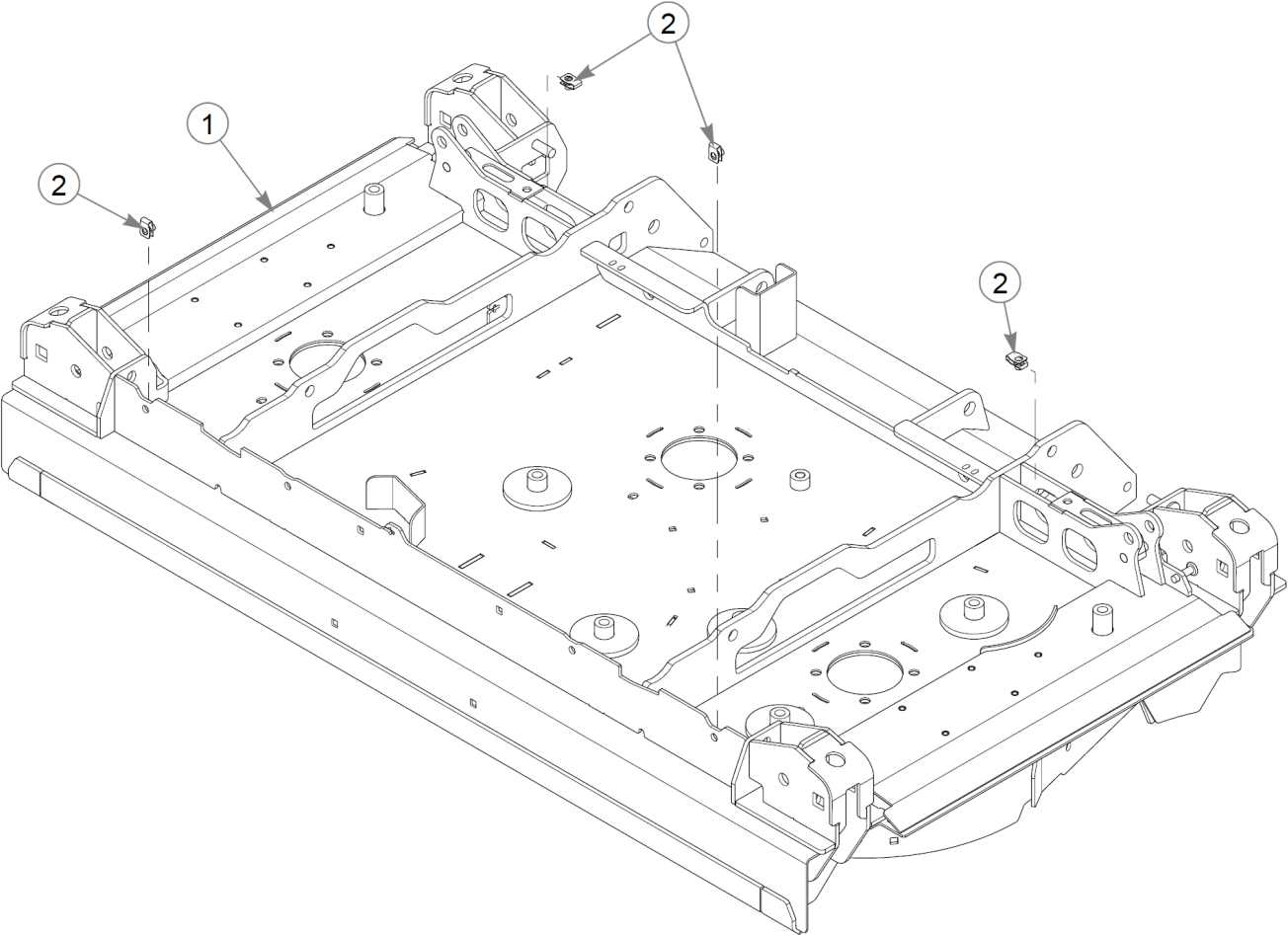
Item	Part No.	Qty	Name
36	603153	1	DUST CAP, SZ CASTER
37	045765	2	FW 1.030X1.50X.13 HD ZN
38	603164	1	BEARING DISC, FORK
39	784223	2	BEARING
40	784603	1	SPACER
41	129712-1	1	WING ARM, R W/A
42	606583	1	FLEX FORK
43	608880	5	NT .50-13 FL NY
44	606381	2	CB .500-13X6.50 STD ZN
45	606113	2	S/C TO 606740
	606740	2	TIR/WHL 11X4.00-5 SLV
46	306969	2	GAGE WHEEL SPACER
47	089938	2	CS .500-13X4.000HXG5
48	129736-6	1	FORK W/A, GAGE
49	054502	1	NT .375-16HXG5
50	600878	1	CS .375-16X1.75 G5 FULTD
51	607970	2	PIVOT, DECK LIFT
52	052514	2	CS .375-16X4.500HXG5
53	129721-6	2	OVER LATCH W/A
54	712893	4	FW 0.406X1.25X.12 HD ZN
55	034280	2	CS .312-18X0.750HXG5
56	768523	2	FW 0.343SAE
57	129438-1	1	COVER, LATCH RH
58	609207	2	CE 0.50 X 3.00 HITCH PIN
59	017301	2	HP .125 X2.375 ZN
60	603855	1	FLAP, WING INTERSECTION
61	116614	1	PLATE, FLAP CLAMP
62	603022	5	CS .312-18X.625 BH ZN
63	036236	2	CS .312-18X1.000HXG5
64	079210	2	FW 0.344X1.0X0.06 ZN
65	604183	1	BUMPER, TRIM EDGE FLAT
66	602263	1	WHEEL, ANTI-SCALP
67	602345	1	SPACER, ANTI-SCALP 3.22
68	602339	1	CB .50-13 X 4.50 STD ZN
69	606393	1	BLADE 23.86" L-F-CW

This page intentionally left blank

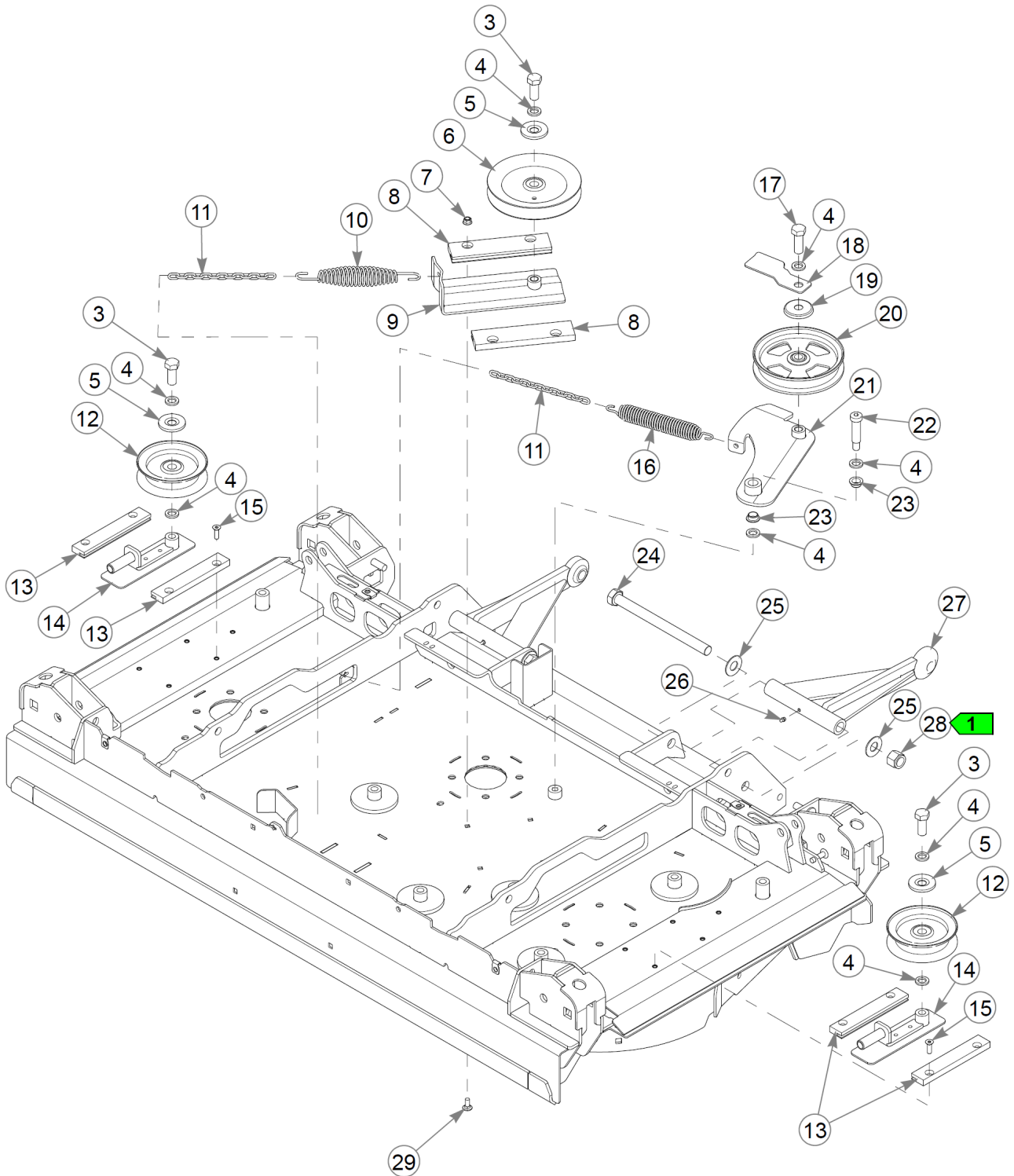
Item	Part No.	Qty	Name
	796839	1	BLADE, F23.86-L-F-CW
	793398	1	BLADE,23.86"-MUL-F-CW
	794867	1	BLADE, 23.86"-GAT-F-CW
70	114988	1	SHIELD, BLADE BOLT
71	782474	1	CW .678 X 2.250 X .187
72	781872	1	CS .625-11X1.250HXG5
73	125951-1	1	RAMP PNT, RH WING

Comments for Page: Right Deck, Pulleys, Spindles & Blades (Multi-Page)

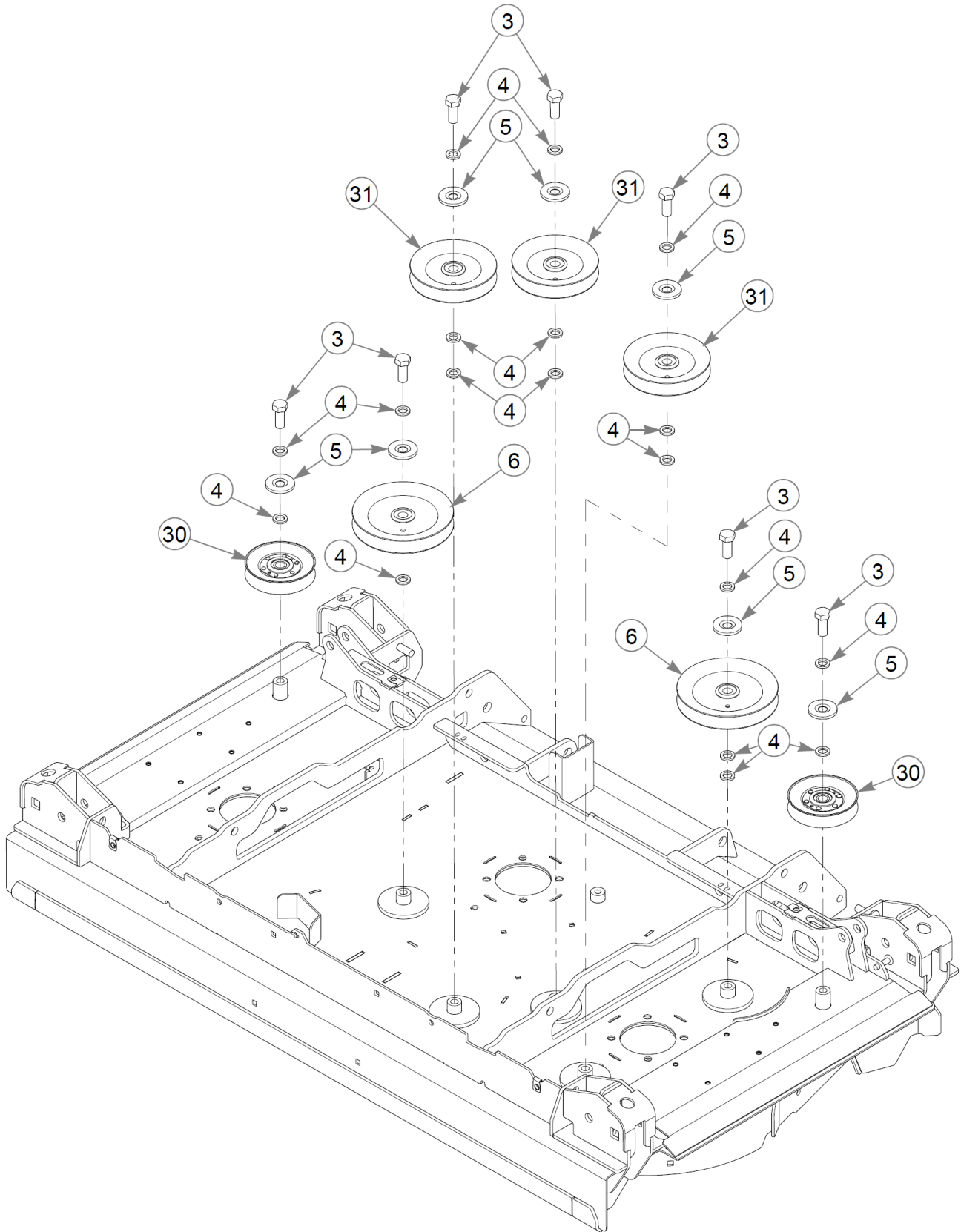
1. Torque the front bolt to 30 ft-lbs first. (40 N•m)
2. Torque to 30 ft-lbs. (40 N•m)
3. Torque to 65–75 ft-lbs. (101 N•m)
4. Black wheel assembly—606741.
Silver wheel assembly—606113.
5. Torque to 10 ft-lbs. (13 N•m)
6. Torque to 118 ft-lbs. (160 N•m)



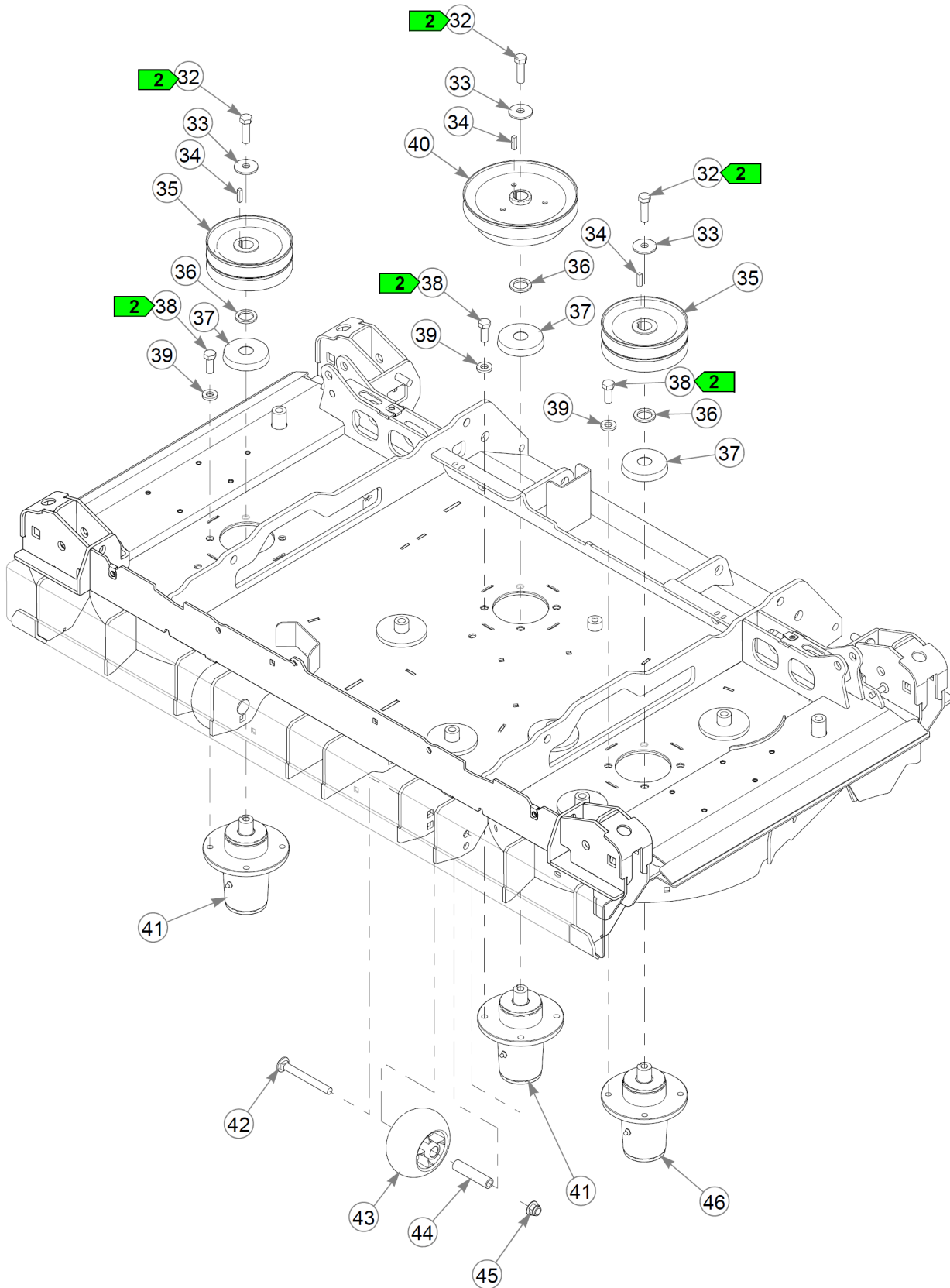
This page intentionally left blank



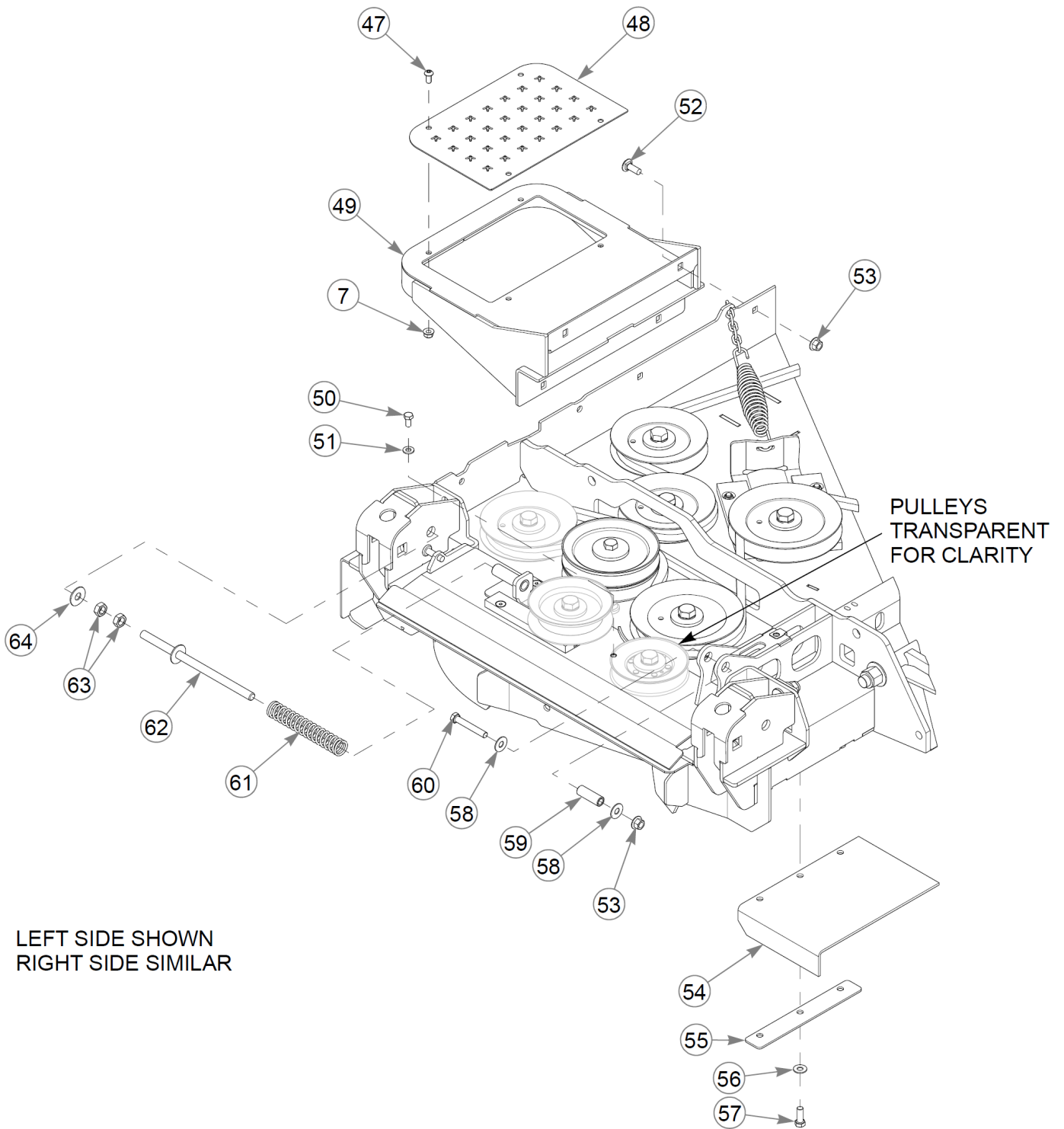
This page intentionally left blank



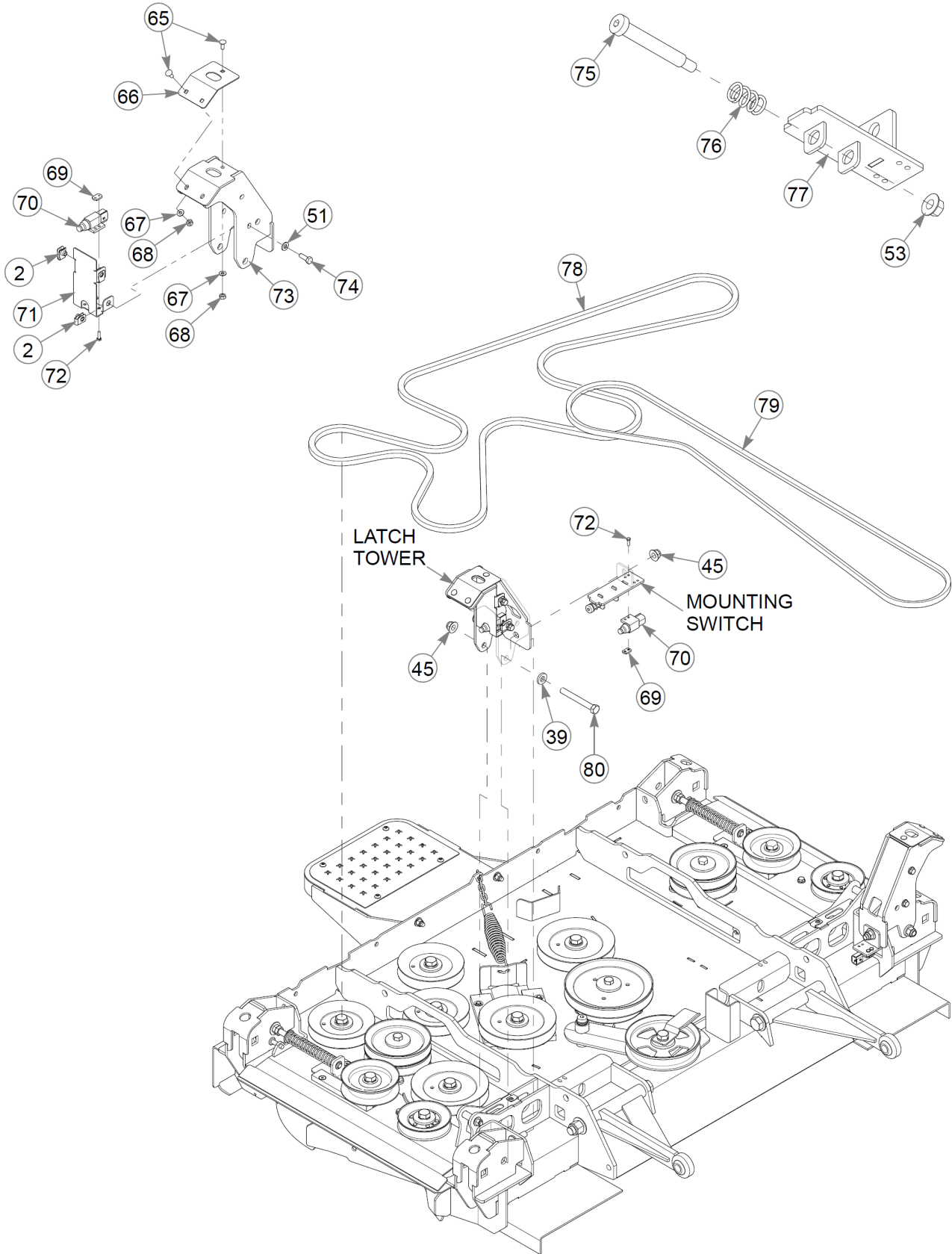
This page intentionally left blank



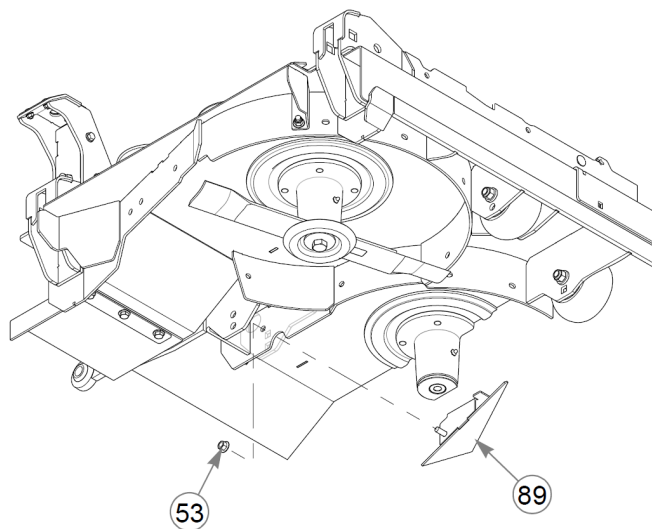
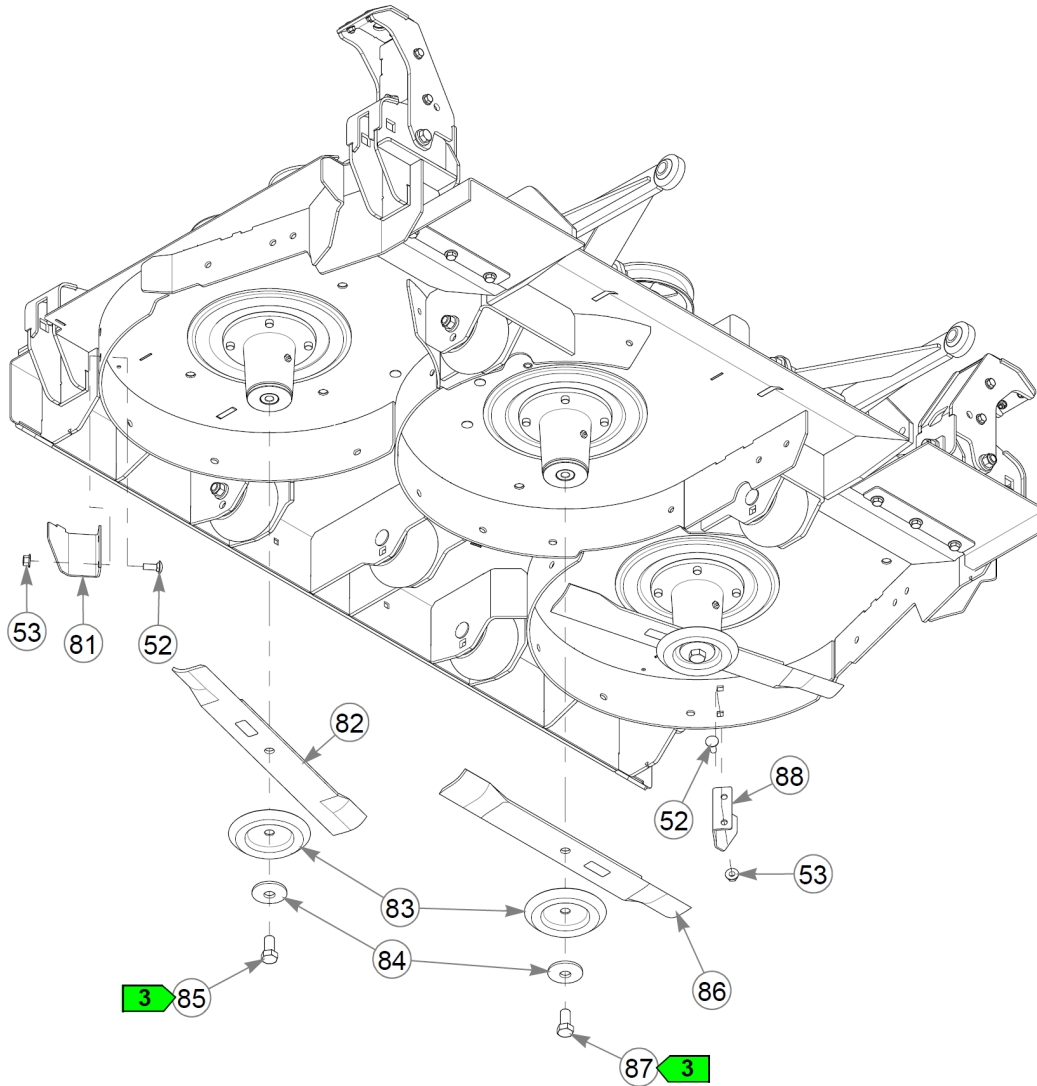
This page intentionally left blank



This page intentionally left blank



This page intentionally left blank



FRONT OF MOWER

Item	Part No.	Qty	Name
1	557127	1	SVC DECK, S104 CENTER
2	601069	12	CN .312-18x.200 MAX THK
3	794446	10	CS .625-11X1.500HXG5
4	028118	27	FW 0.625X1.00X.13 ZN
5	603057	10	DUST SHIELD W/OFFSET
6	796714	3	PULLEY, 6" HB IDLER RD
7	608059	8	NT .312-18 FL NY G5
8	603750	2	IDLER SLIDE, SHORT
9	129242-1	1	TENSIONER SLED W/A
10	781302	1	IDLER SPRING
11	259812	2	CHAIN, 13 LINK
12	603784	2	IDLER, FLAT 4.0" DEEP
13	601619	4	IDLER SLIDE UHMW RT & LT
14	117576	2	IDLER SLED W/A, WING
15	604086	8	CS .312-18X1.00 FLTSH ZN
16	607616	1	SPRING, DECK IDLER
17	025007	1	CS .62511X1.750HXG5
18	606460	1	GUIDE, BELT
19	608144	1	SHIELD, DUST
20	602821	1	IDLER, 6.0" COMMERCIAL
21	129724-1	1	TENSIONER, 8" SWING ARM
22	606149	1	SB .625 X 2.00 SH.50-13
23	602539	2	BUSHING, .625 I.D.
24	041475	2	CS .750-10X9.50 HX G5 ZN
25	025296	4	FW .760X1.63X0.08 ZN
26	015495	2	GREASE FITTING STRAIGHT
27	129726-1	2	PUSHER W/A
28	061101	2	NT .750-10 HX ZN NL GR B
29	016253	4	CB .312-18X .750 FUL ZN
30	605978	2	PULLEY, SPLIT IDLER
31	602672	3	PULLEY, V-IDLER HBB 5.0"
32	017616	3	CS .500-13X1.750HXG5
33	752386	3	CW .505 X 1.625 X .140
34	212472	3	KEY 1/4 SQ X 1.00 LG(FS)
35	524785	2	PULLEY, (711499) PTED B

This page intentionally left blank

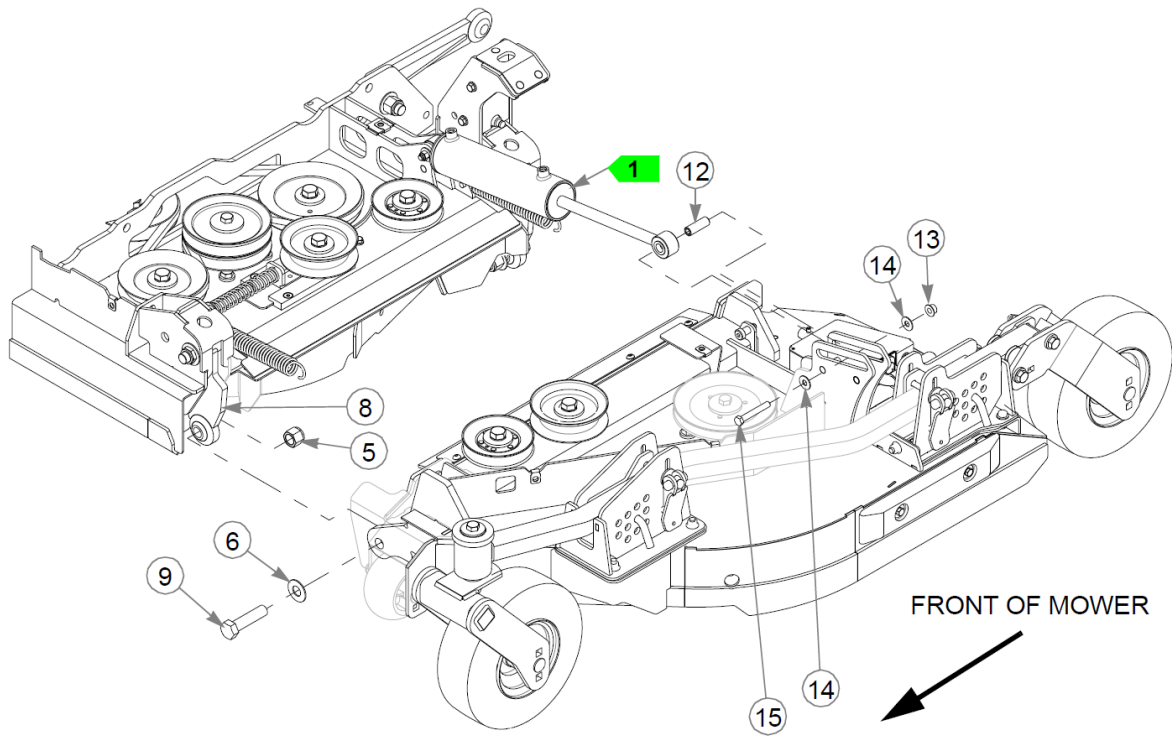
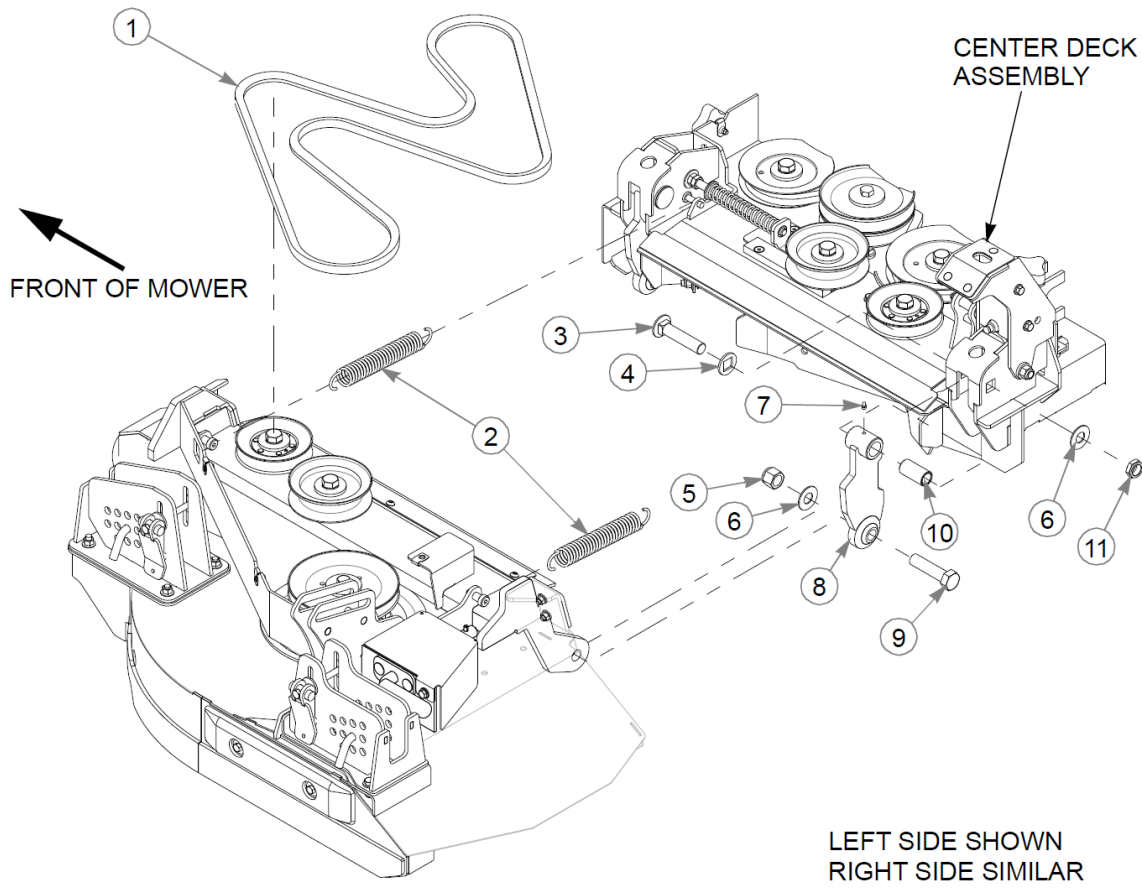
Item	Part No.	Qty	Name
36	045765	3	FW 1.030X1.50X.13 HD ZN
37	607409-4	3	DUST SHIELD
38	705954	12	CS .500-13X1.25 HX G5 ZN
39	767962	14	FW .531 x 1.063 x .175
40	604036	1	PULLEY, DOUBLE DRIVE
41	607407	2	SPINDLE ASSY, DUCTILE
42	602339	5	CB .50-13 X 4.50 STD ZN
43	602263	5	WHEEL, ANTI-SCALP
44	602345	5	SPACER, ANTI-SCALP 3.22
45	608880	9	NT .50-13 FL NY
46	607408	1	SPINDLE ASSY, DUCTILE
47	603022	4	CS .312-18X.625 BH ZN
48	116630	1	PLATE, STAMPED TREAD
49	116625	1	STEP W/A
50	064006	2	CS .312-18X0.625HXG5
51	768523	10	FW 0.343SAE
52	025395	8	CB .375-16X 1.00 G5 ZN
53	604515	13	NT .375-16 FL NY GF
54	607681	2	RUBBER FLAP, REAR
55	125844-1	2	CLAMP PLATE, REAR FLAP
56	767954	6	FW 0.379X.82X.06 HD ZN
57	036244	6	CS .375-16X1.00 HX G5 ZN
58	076422	4	FW 0.406X1.00X.06 ZN
59	604290	2	SPACER, CYLINDER
60	016428	2	CS .375-16X2.500HXG5
61	603787	2	SPRING, COMPRESSION
62	115245	2	ROD W/A, TENSIONER
63	053199	4	NT .500-13JAMG5
64	704759	2	FW 0.500X1.25X.08 ZN
65	601503	6	CB .250-20 X .625 ZN
66	116613	2	PLATE, LATCH STRIKER
67	017079	6	FW .250SAE
68	024927	6	NT .250-20HXG5
69	601822	4	NUT PLATE, .420 CENTERS
70	602538	4	SWITCH PLUNGER, NC/NO

This page intentionally left blank

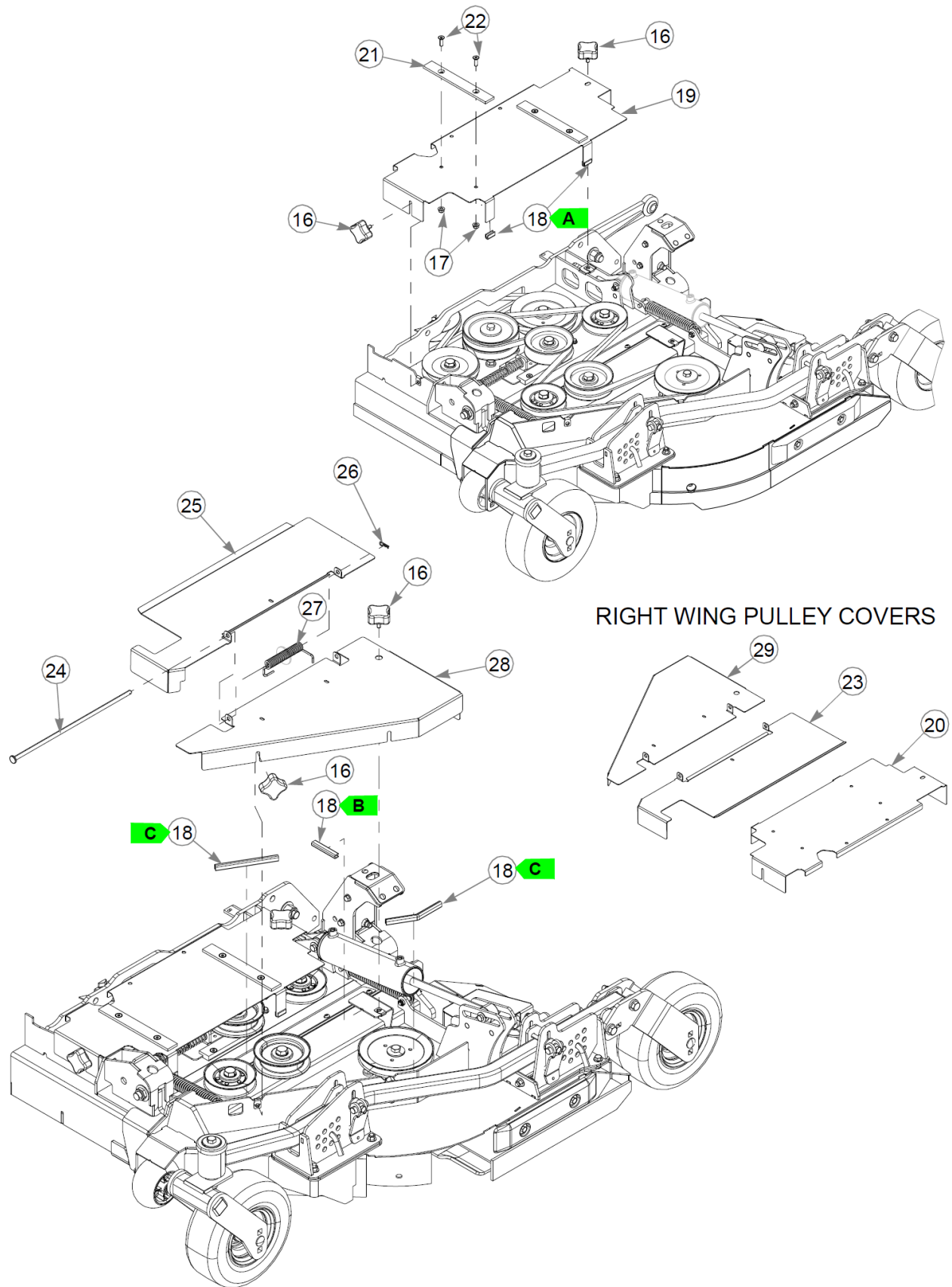
Item	Part No.	Qty	Name
71	116632	2	BRKT, LATCH SWITCH
72	714998	8	MS#10-24X0.625HX
73	116575	2	TOWER W/A, LATCH
74	064014	8	CS .312-18X0.875HXG5
75	609161	2	SB 3.00 X .50 SH .375-16
76	605999	2	SPRING, COMPRESSION
77	129485-1	2	SWITCH MNT W/A
78	609213	1	BELT, DECK
79	606334	1	DECK BELT
80	089938	2	CS .500-13X4.000HXG5
81	116533	1	DEFLECTOR, FRONT LH
82	795633	1	BLADE, F20.50"-L-F-CCW
	601928	1	BLADE, 20.5"GAT-F-CCW
	604163	1	BLADE, 20.50-MUL-F-CCW
83	114988	3	SHIELD, BLADE BOLT
84	782474	3	CW .678 X 2.250 X .187
85	604383	1	CS .625-11X1.250 G5 LHT
86	600901	2	BLADE, F20.50"-L-F-CW
	794230	2	BLADE,20.50"GAT-F-CW
	794214	2	BLADE,20.50"-MUL-F-CW
87	781872	2	CS .625-11X1.250HXG5
88	116532	1	DEFLECTOR, FRONT RH
89	125949-1	1	RAMP PNT, DISCHARGE CW

Comments for Page: Center Deck, Idlers, Pulleys, Spindles, Belts & Blades (Multi-Page)

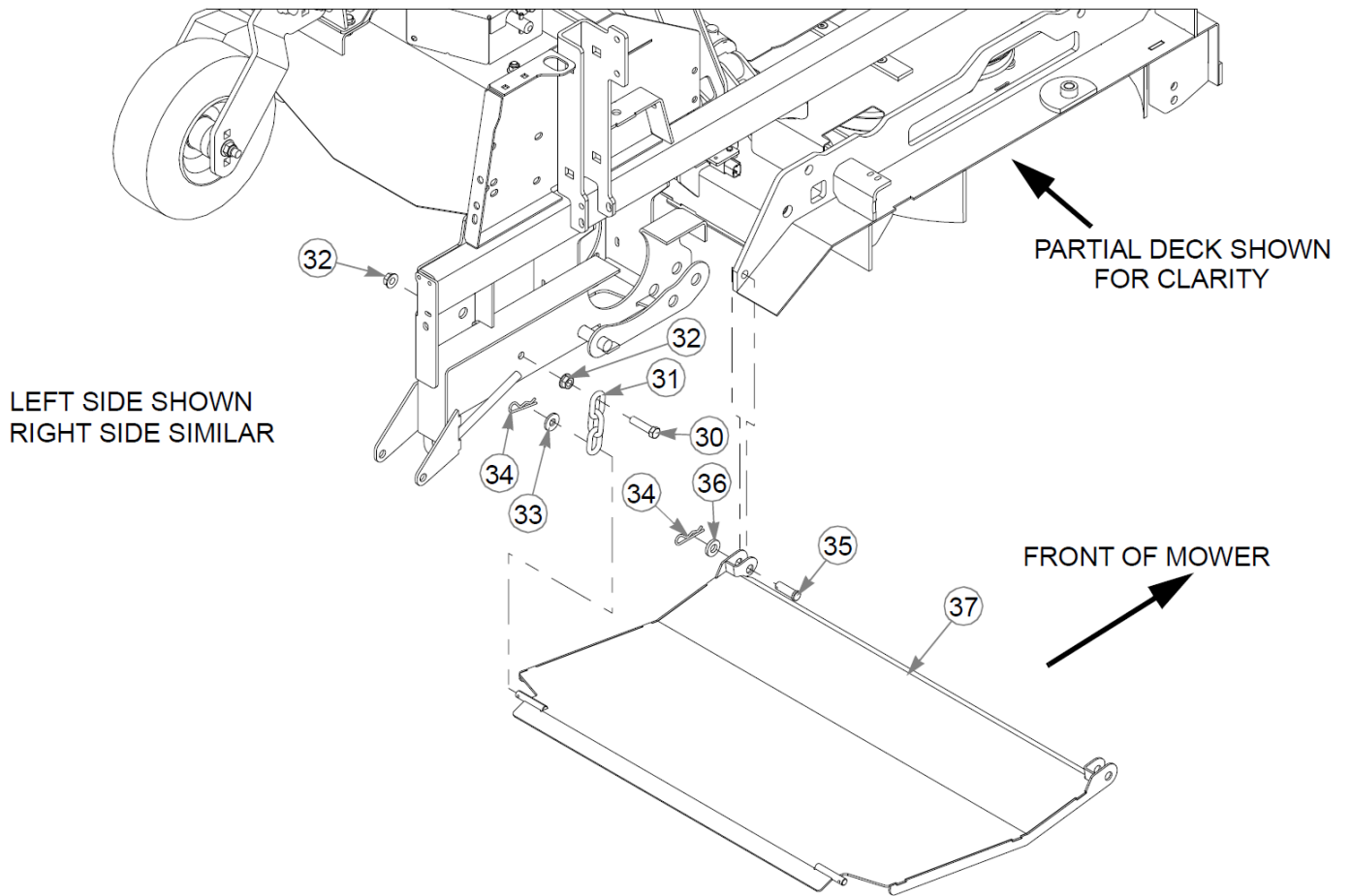
1. Do not torque; the pusher must rotate freely.
2. Torque to 65–75 ft-lbs. (88-101 N•m)
3. Torque to 118 ft-lbs. (160 N•m)



This page intentionally left blank



This page intentionally left blank



Item	Part No.	Qty	Name
1	603885	2	DECK BELT
2	603966	4	SPRING, TENSION1.25X6.00
3	603953	4	CB .750-10X3.500 G5 ZN
4	606199	4	FW SQ 0.781X1.50X.13 ZN
5	061101	4	NT .750-10 HX ZN NL GR B
6	025296	8	FW .760X1.63X0.08 ZN
7	015495	4	GREASE FITTING STRAIGHT
8	116555	4	LINK W/A, WING PIVOT
9	051169	4	CS .750-10X3.000HXG5
10	116558	4	BUSHING, PIVOT LINK
11	604495	4	NT .750-10 NL JAM
12	604290	2	SPACER, CYLINDER
13	604515	2	NT .375-16 FL NY GF
14	076422	4	FW 0.406X1.00X.06 ZN
15	016428	2	CS .375-16X2.500HXG5
16	792002	10	KNOB,5/16-18 X 3/4"MALE
17	608059	8	NT .312-18 FL NY G5
18	033001P	1	FLEX TRIM UNI-GRIP - 3 FT
19	129895-1	1	COVER, L CENTER DECK
20	129894-1	1	COVER, R CENTER DECK
21	604028	4	SLIDE, PULLEY COVER
22	604086	8	CS .312-18X1.00 FLTSH ZN
23	129442-1	1	COVER, RH
24	608776-4	2	PIVOT PIN, DISCHARGE
25	129443-1	1	COVER, LH
26	706549	2	HP0.080X1.190
27	602435	2	SPRING, TORSION
28	129441-1	1	COVER, WING LH
29	129440-1	1	COVER, WING RH
30	055749	2	CS .437-14X1.750HXG5
31	360131	2	CHAIN, DECK LIFT
32	704643	4	NT .437-14FLKG5
33	602680	2	FW .453X1.12X.12 HRD ZN
34	017301	4	HP .125 X2.375 ZN
35	068056	2	CE .500X1.50 .150X1.32

This page intentionally left blank

Item	Part No.	Qty	Name
36	767962	2	FW .531 x 1.063 x .175
37	129729-1	1	BELLY PAN W/A

Comments for Page: Deck, Deck Belt & Wing (Multi-Page)

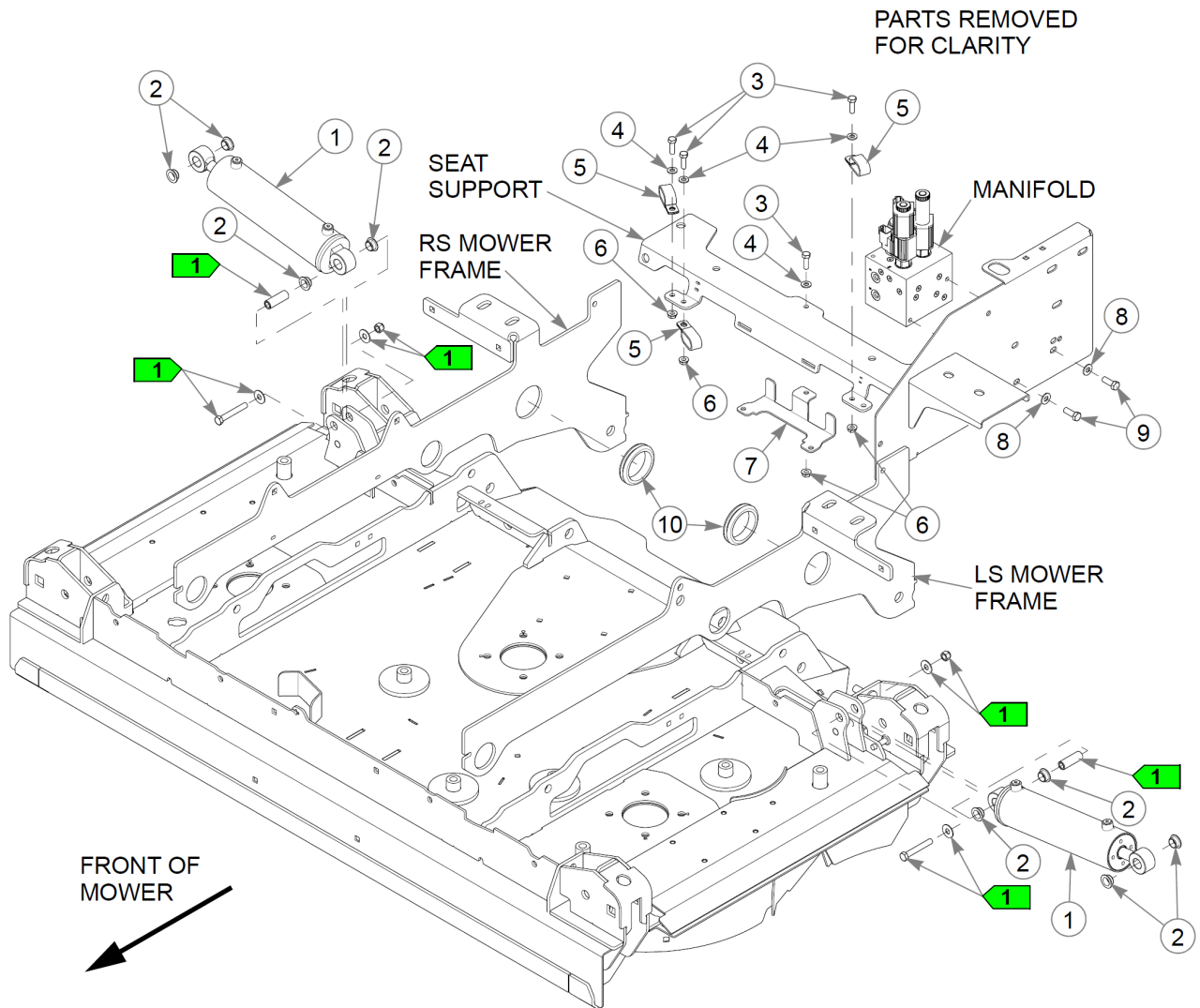
1. Part of the hydraulic assembly.

TRIM LENGTHS

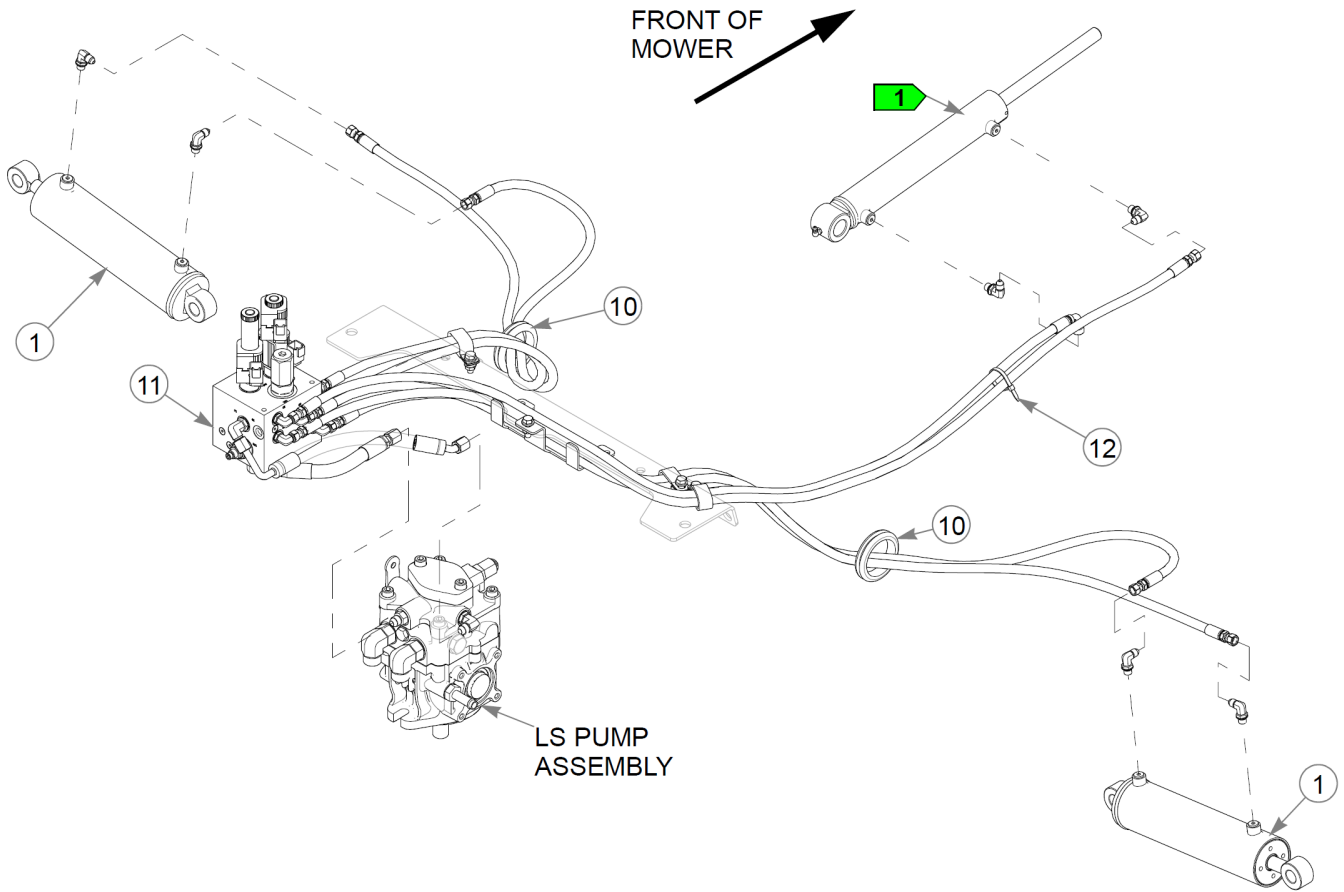
A. 1" (2.54 cm)

B. 3" (7.62 cm)

C. 6" (15.24 cm)



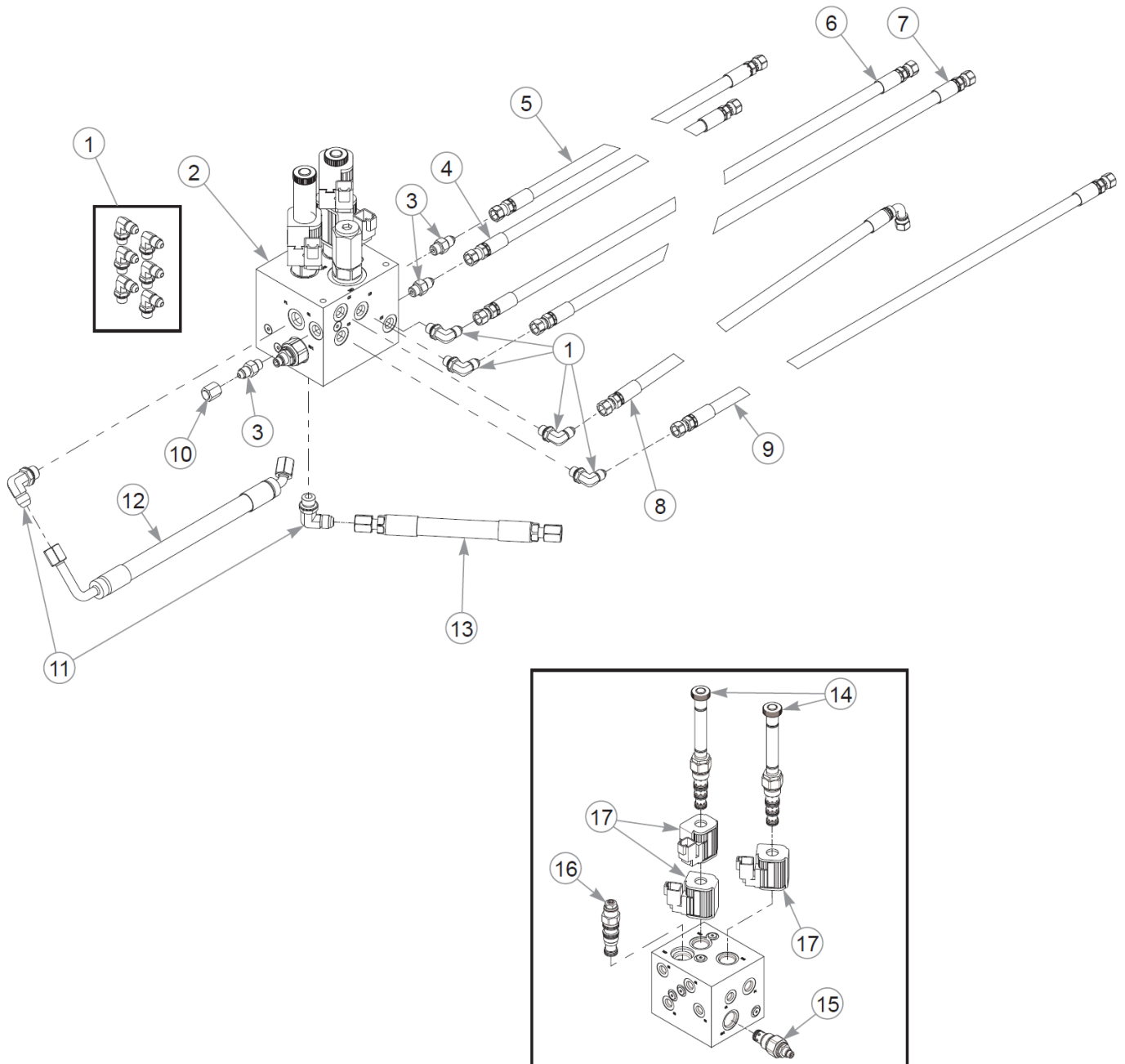
This page intentionally left blank



Item	Part No.	Qty	Name
1	607680	2	CYLINDER - HYDRAULIC
2	602539	8	BUSHING, .625 I.D.
3	036236	4	CS .312-18X1.000HXG5
4	768523	4	FW 0.343SAE
5	607674	3	CLAMP - P, DOUBLE
6	016832	4	NT .312-18FLKG5
7	125851-1	1	SUPPORT - HOSES
8	767954	2	FW 0.379X.82X.06 HD ZN
9	036244	2	CS .375-16X1.00 HX G5 ZN
10	603289	2	GM, 2.25IDX 3.0ODX 2.5GD
11		1	REFER TO "MANIFOLD BLOCK BREAKDOWN"
12	000331	1	WIRE TIE, SMALL/SHORT

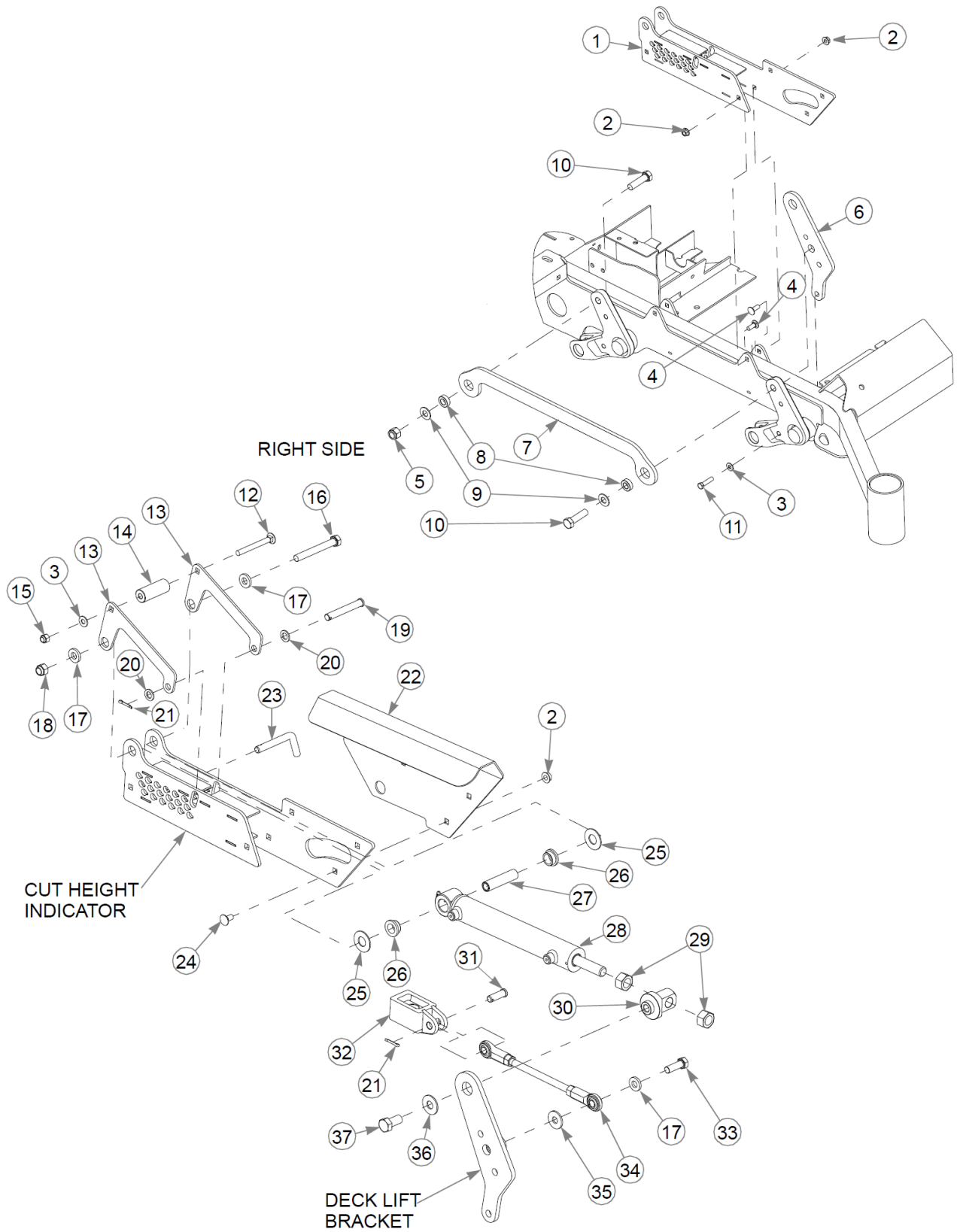
Comments for Page: Wing Lift System (Multi-Page)

1. Part of the Deck Assembly.

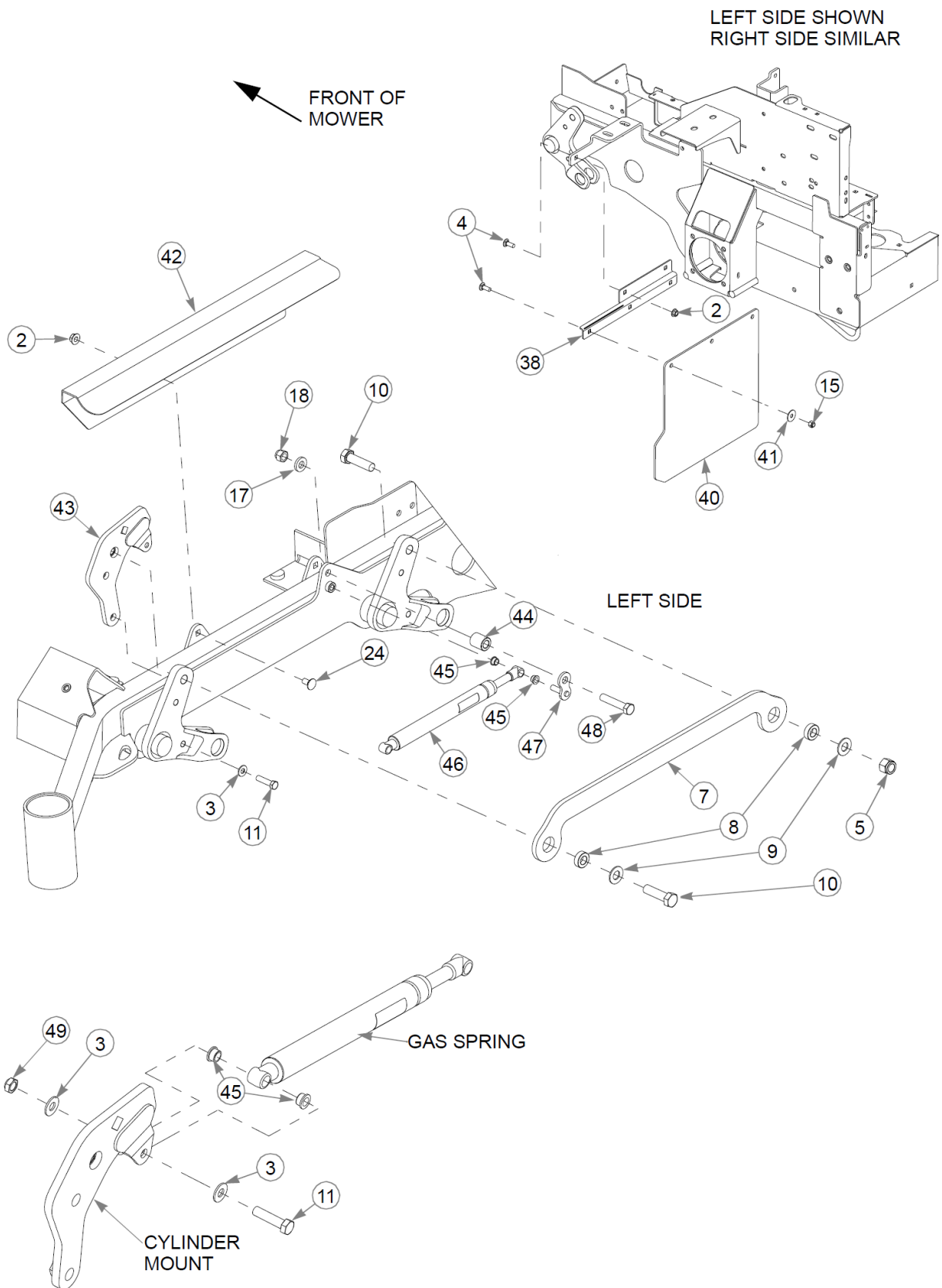


Manifold Block Breakdown

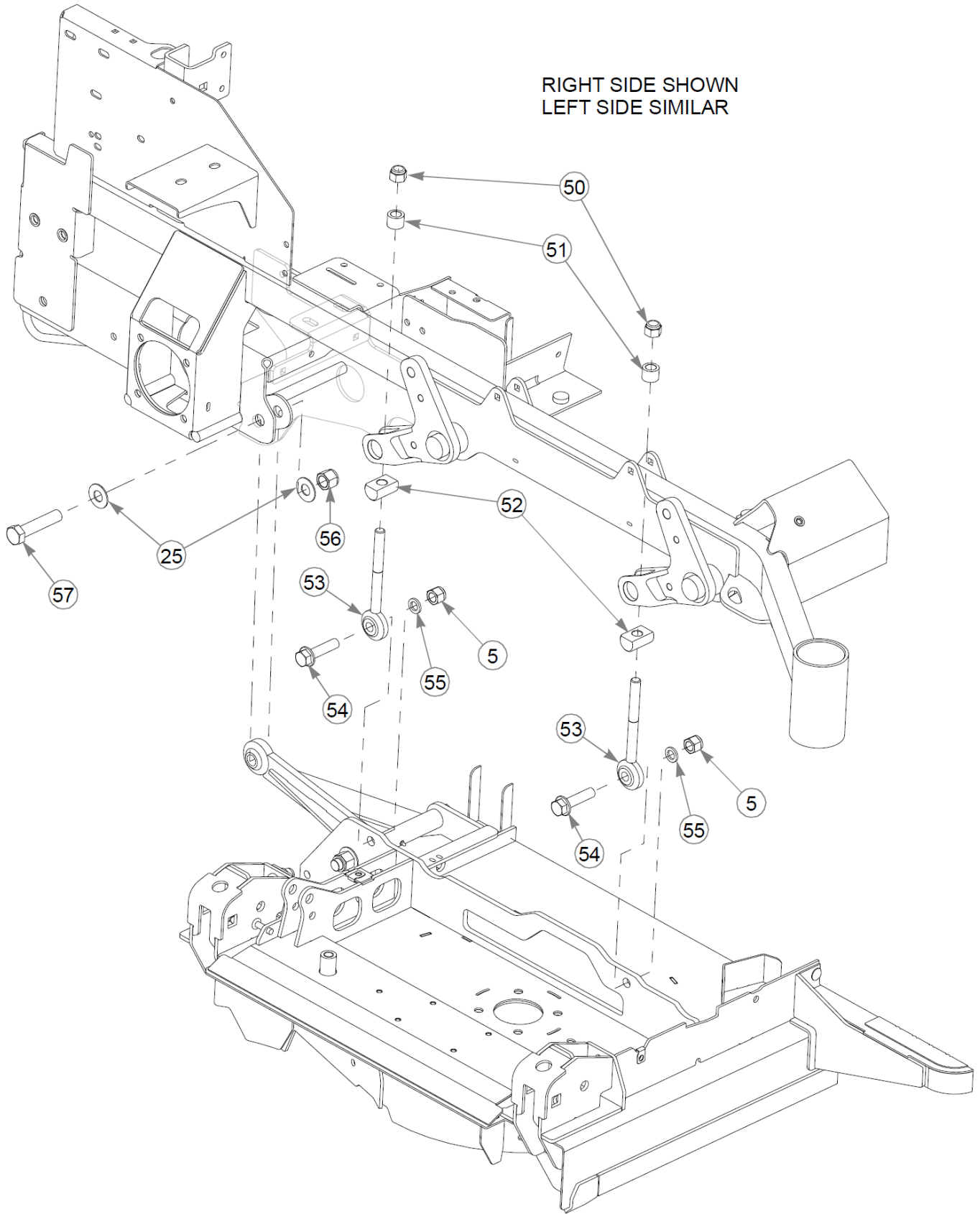
Item	Part No.	Qty	Name
1	604133	10	FTG, 4MORB / 4MJIC 90
2	607570	1	MANIFOLD ASM
3	603181	3	FTG, -4MORB/4MJIC STR
4	607576	1	HOSE ASM - HYDRAULIC
5	607577	1	HOSE ASM - HYDRAULIC
6	607578	1	HOSE ASM - HYDRAULIC
7	607579	1	HOSE ASM - HYDRAULIC
8	607574	1	HOSE ASM - HYDRAULIC
9	607575	1	HOSE ASM - HYDRAULIC
10	602479	1	FTG, 4FJIC CAP
11	795922	2	FTG, 90-6MORB/-6MJI
12	607572	1	HOSE ASM - HYDRAULIC
13	607573	1	HOSE ASM - HYDRAULIC
14	602458	2	VALVE, REEL DRIVE
15	602456	1	RELIEF VALVE CARTRIDGE
16	606826	1	VALVE, COUNTER BALANCE
17	602454	3	VALVE, SOLENOID CARTRIDG



This page intentionally left blank



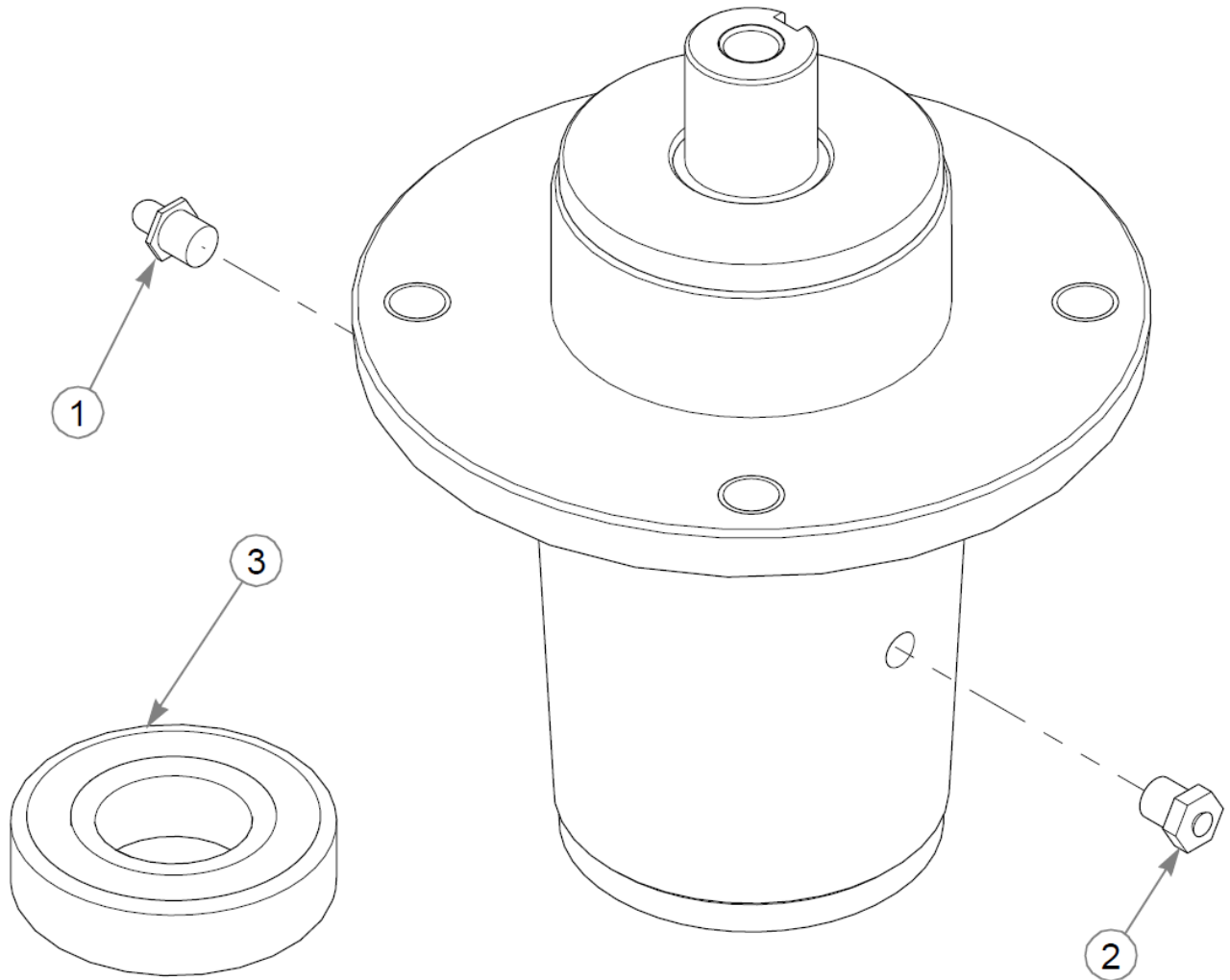
This page intentionally left blank



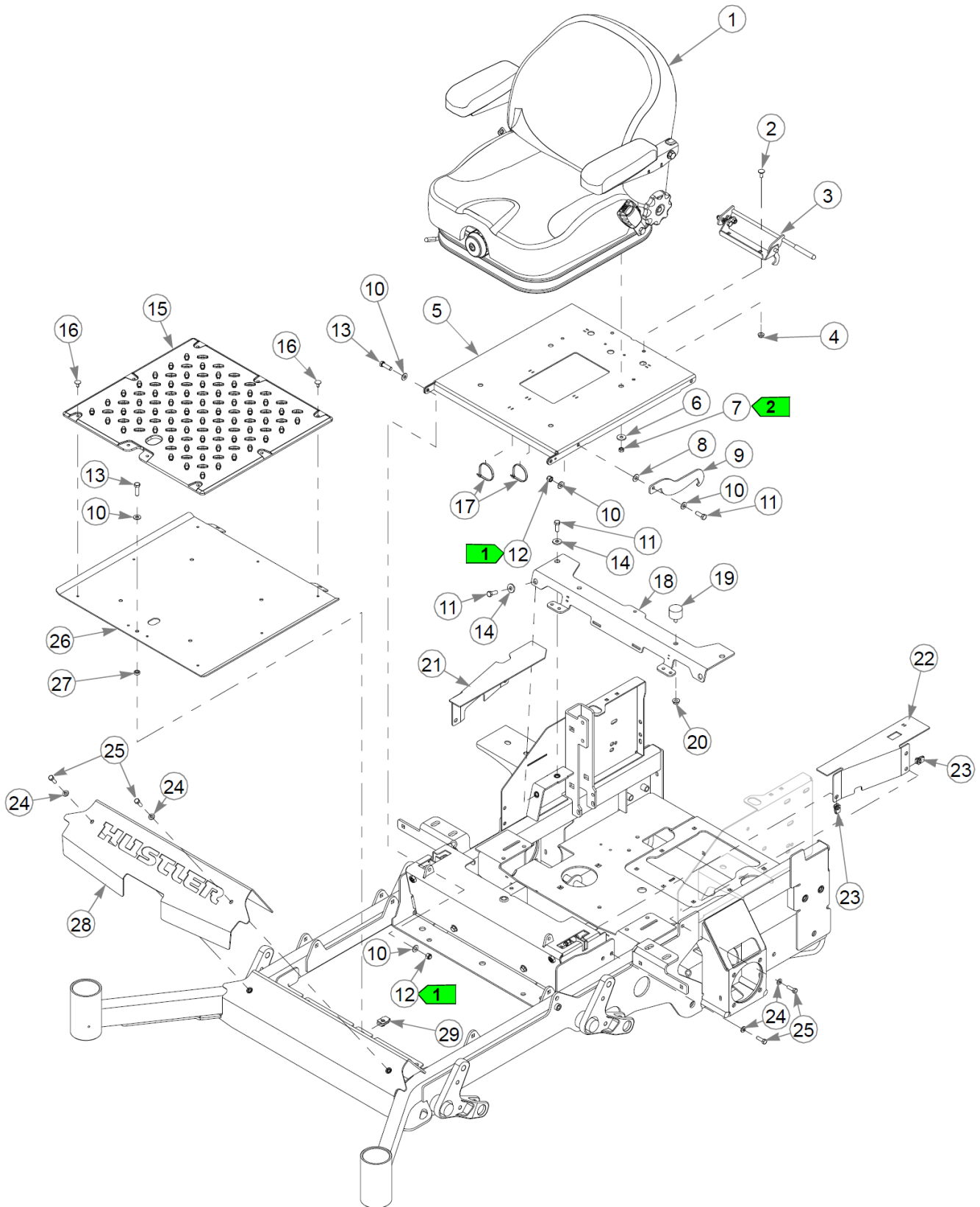
Item	Part No.	Qty	Name
1	117320	1	W/A, CUT HT. INDICATOR
2	016899	13	NT .375-16 FLKG5
3	767954	7	FW 0.379X.82X.06 HD ZN
4	025395	14	CB .375-16X 1.00 G5 ZN
5	058768	6	NT .625-11 HXZN NY
6	116784	1	BRACKET W/A, DECK LIFT
7	608945	2	PLATE, DECK LINK
8	608944	4	BUSHING, .63 X 1.15 X .3
9	728030	4	FW .656X 1.312X.090 ZN
10	601983	4	CS .625-11 X 2.25 HXG5ZN
11	080655	5	CS .375-16X1.500HXG5
12	041848	1	CB .375-16X 3.500 FUL Z
13	117488	2	ARM, LATCH
14	117489	1	SPACER, LATCH
15	086660	7	NT .375-16NLG8
16	089938	1	CS .500-13X4.000HXG5
17	767962	4	FW .531 x 1.063 x .175
18	781567	2	NT .500-13NLG5
19	025965	1	CE .500X3.50 .156X3.34
20	718288	2	FW .516X.88X.09 ZN
21	017251	2	CP .156DX1.000 LG HML Z
22	117492	1	GUARD, RH FRAME
23	604076	1	PIN, DECK HEIGHT STOP
24	011320	5	CB .375-16X .750 STD ZN
25	025296	6	FW .760X1.63X0.08 ZN
26	770867	2	BUSHING, PLAS .750x1(FS)
27	604075	1	SPACER, CYLINDER
28	607679	1	CYLINDER - HYDRAULIC
29	008417	2	NT .750-10HXG5
30	602897	1	BLOCK, DECK LIFT
31	068056	1	CE .500X1.50 .150X1.32
32	604069	1	SLIDER, DECK LIFT
33	074252	1	CS .500-13X1.50 HX G5 ZN
34	604072	1	ROD END ASSEMBLY
35	712976	1	FW 0.531X1.38X.12 ZN

This page intentionally left blank

Item	Part No.	Qty	Name
36	704783	1	FW 0.625X1.500X0.105
37	781872	1	CS .625-11X1.250HXG5
38	124388-1	1	ANGLE, FLAP MOUNT LH
39	124386-1	1	ANGLE, FLAP MOUNT RH
40	604266	2	FLAP, WHEEL
41	705137	6	FW 0.391X1.25X.06 ZN
42	117487	1	GUARD, LH FRAME
43	117318	1	W/A, CYLINDER MOUNT
44	116206	1	BRACKET SPACER
45	765339	4	BUSHING,IGUS#0608 (FS)
46	604037	1	GAS SPRING, DECK LIFT
47	116203	1	CYLINDER BRACKET W/A
48	008573	1	CS .500-13X2.500HXG5
49	603846	1	NT .375-16 HX NL JAM ZN
50	604232	4	NT .625-18NLKG5
51	603903	4	DECK LEVEL SPACER
52	603902	4	DECK LEVEL PIVOT
53	116732	4	W/A, DECK LEVEL ROD END
54	604043	4	CS .625-11x2.500FLGG5
55	028118	4	FW 0.625X1.00X.13 ZN
56	061101	2	NT .750-10 HX ZN NL GR B
57	789115	2	CS .750-10X3.500HXG5



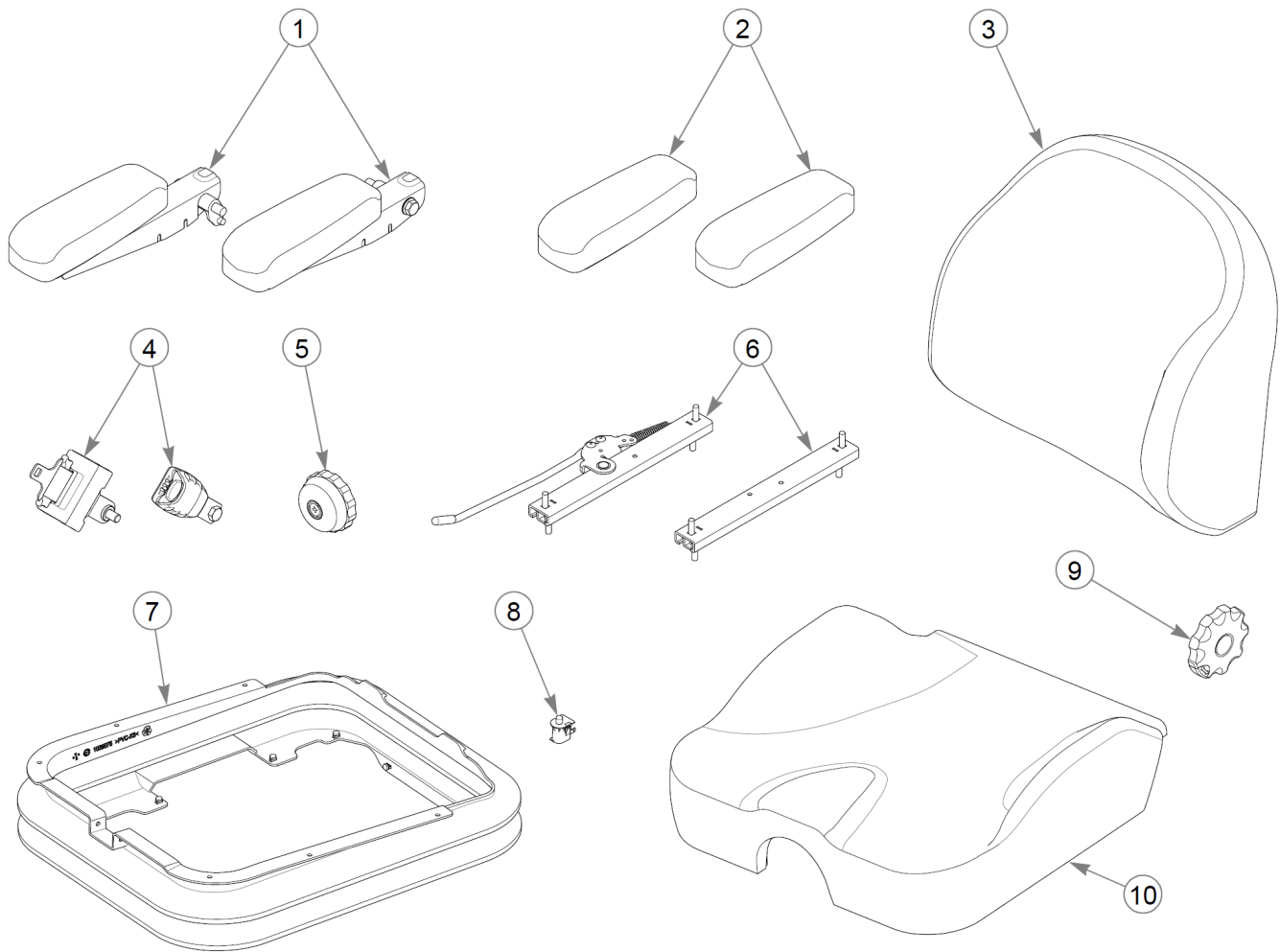
Item	Part No.	Qty	Name
	607407	1	SPINDLE ASSY, DUCTILE
	607408	1	SPINDLE ASSY, DUCTILE
1	607477	1	GREASE ZERK
2	607478	1	RELIEF FITTING
3	607955	2	BEARING



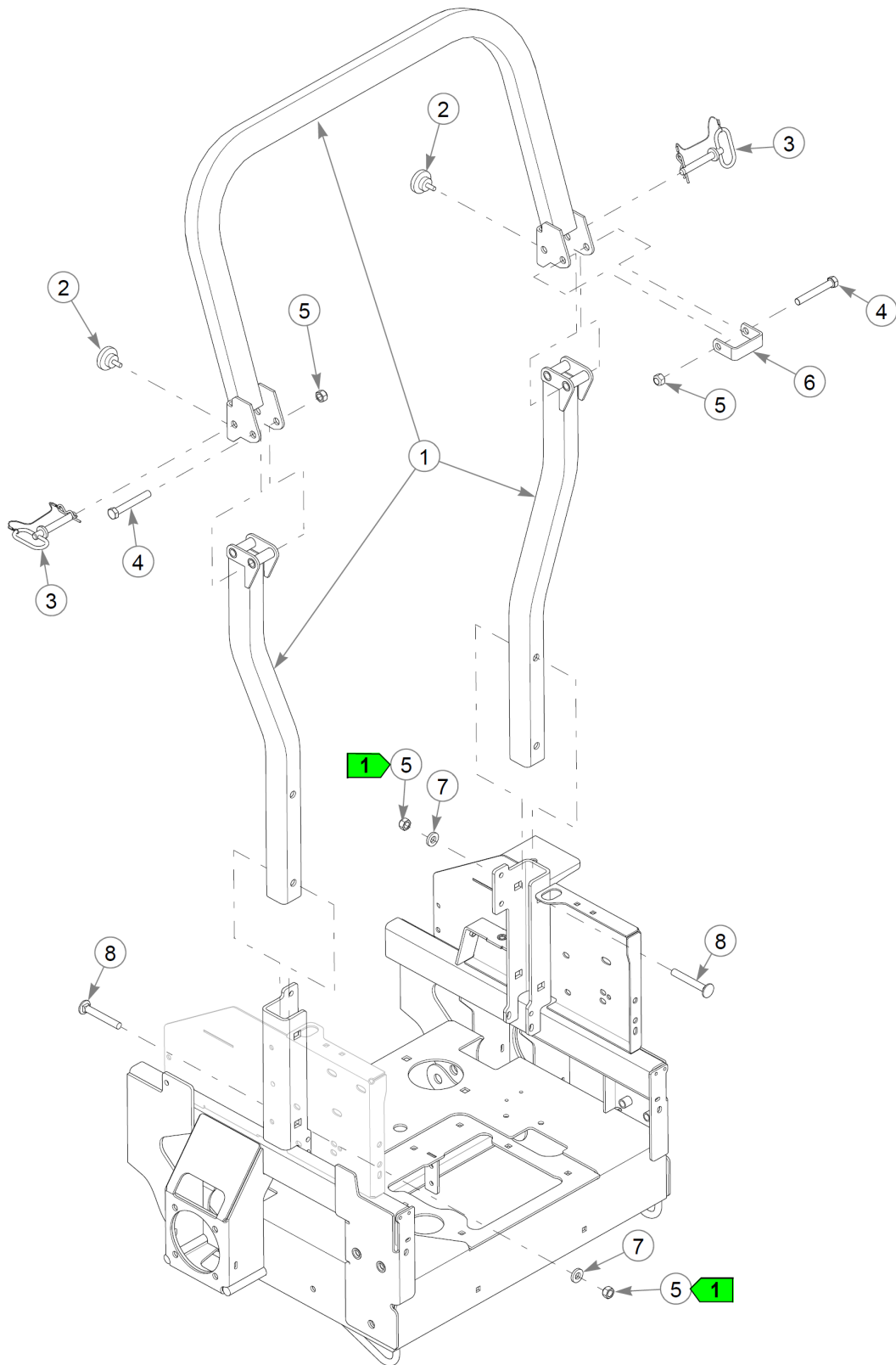
Item	Part No.	Qty	Name
1	609173	1	SEAT, I4M SEATS INC
2	016253	2	CB .312-18X .750 FUL ZN
3	605907	1	LATCH ASSEMBLY
4	016832	2	NT .312-18FLKG5
5	128350-6	1	W/A, SEAT PAN
6	712927	4	FW 0.344X1.00X.12 HD ZN
7	058776	4	NT .312-18NLG5
8	724716	2	WASHER, FIBER (FS)
9	350421	2	SEAT PAN STOP (PLATED)
10	767954	9	FW 0.379X.82X.06 HD ZN
11	036244	6	CS .375-16X1.00 HX G5 ZN
12	086660	4	NT .375-16NLG8
13	052860	3	CS .375-16X1.25 HX G5 ZN
14	712919	4	FW 0.406X1.00X.12 HD ZN
15	608838	1	FLOOR MAT
16	607868	9	PUSH IN RIVET
17	000331	2	WIRE TIE, SMALL/SHORT
18	125850-1	1	SEAT SUPPORT
19	601650	2	VIBRATION MOUNT 70DURO
20	016899	2	NT .375-16 FLKG5
21	128349-6	1	TRIM PANEL, RH
22	128348-6	1	TRIM PANEL, LH
23	601069	4	CN .312-18x.200 MAX THK
24	768523	6	FW 0.343SAE
25	036236	6	CS .312-18X1.000HXG5
26	128352-1	1	FLOOR PAN
27	601839	1	PIVOT SPACER BUSHING
28	128564-6	1	FOOTREST COVER
29	601758	1	CN .375-16x.200 MAX THK

Comments for Page: Seat & Floor Pan

1. Do not torque; the seat pan and seat pan stop must pivot freely.
2. Torque to 17 ft-lbs. (23 N•m)



Item	Part No.	Qty	Name
	609173	1	SEAT, I4M SEATS INC
1	607711	1	SVC, ARM REST KIT
2	607715	1	SVC, ARM REST PAD KIT
3	608936	1	SVC, SEAT BACK COVER
4	607207	1	SVC, SEAT BELT
5	607206	1	SVC, KNOB KIT
6	609177	1	SVC, TRACK KIT
7	609176	1	SVC, BELLOWS
8	606082	1	SVC, OPS
9	607709	1	SVC, RECLINER KNOB
10	609175	1	SVC, SEAT CUSHION COVER



Item	Part No.	Qty	Name
1	609194	1	SVC, ROPS
2	601470	2	KNOB, HAND FOR ROPS
3	601471	2	LYNCH PIN W/ LANYARD
4	061812	2	CS .500-13X3.50 HX G5 ZN
5	023317	6	NT .500-13UNTG8
6	603099	1	ROPS STOP, XONE
7	767962	4	FW .531 x 1.063 x .175
8	608568	4	CB .500-13 X 3.500 G5

Comments for Page: ROPS

1. Torque to 73 ft-lbs. (99 N•m)