

Hustler® Parts Manual

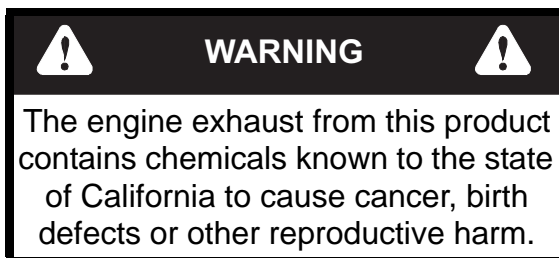


HUSTLER®
TURF EQUIPMENT

200 South Ridge Road

Hesston, Kansas

67062



NOTICE OF REQUIREMENT OF SPARK ARRESTER MUFFLER

This equipment may create sparks that can start fires around dry vegetation. California Public Resources Code Section 4442.6 provides that it is unlawful to use or operate an internal combustion engine on any forest-covered, brush-covered, or grass-covered land unless the engine is equipped with a spark arrester maintained in effective working order. A spark arrester is a device constructed of nonflammable materials specifically for the purpose of removing and retaining carbon and other flammable particles over 0.0232 of an inch in size from the exhaust flow of an internal combustion engine that uses hydrocarbon fuels or which is qualified and rated by the United States Forest Service. Other states or federal areas may have similar laws. The Operator Should Contact Local Fire Agencies For Laws or Regulations Relating to Fire Prevention Requirements. **THIS EQUIPMENT DOES NOT HAVE A SPARK ARRESTER AND YOU SHOULD CONTACT YOUR AUTHORIZED DEALER FOR THE PURCHASE OF A SPARK ARRESTER.**

Inspect spark arrester daily; replace every 500 hours or as needed.

The Engine Owner's Manual provides information regarding the U.S. Environmental Protection Agency (EPA) and the California Emission Control Regulation of emission systems, maintenance and warranty.

Keep Engine Owner's Manual with your unit. Should the Engine Owner's Manual become damaged or illegible, replace immediately. Replacements may be ordered per the information found in the Product Information section of the owner's manual.

Federal law and California State law prohibit the following acts or the causing thereof:

1. The removal or rendering inoperative by any person other than for purposes of maintenance, repair, replacement, of any device or element of design incorporated into any equipment for the purposes of emissions control prior to or after its sales or delivery to the ultimate purchaser or while it is in use, or
2. The use of the equipment after such device or element of design has been removed or rendered inoperative by any person.

| | |
|--|-----|
| General Information Page | 1 |
| Frame & Engine Guard | |
| Frame | 2-1 |
| Engine Guard | 2-2 |
| Transmissions, Drive Belt, Steering & Brake | |
| Transmission & Drive Belt (Multi-Page) | 3-1 |
| 609035 & 609036 Transmission Service Parts | 3-2 |
| Steering (Multi-Page) | 3-3 |
| STEERING BOX, RH | 3-4 |
| STEERING BOX, LH | 3-5 |
| Brake (Multi-Page) | 3-6 |
| Wheels & Tires | |
| Wheels & Tires | 4-1 |
| SERVICE PARTS - 606745 Front Tire/Wheel | 4-2 |
| Drive Wheel Assembly | 4-3 |
| Engine, Muffler, Clutch & Fuel System | |
| Engine, Muffler, Clutch & Fuel System | 5-1 |
| Engine Service Parts - FX820V EVO | 5-2 |
| Fuel System | 5-3 |
| LS Fuel Tank Service Parts - 608681 | 5-4 |
| RS Fuel Tank Service Parts - 608682 | 5-5 |
| Instrument Panel, Wire Harness & Battery | |
| Instrument Panel (Multi-Page) | 6-1 |
| Battery | 6-2 |
| Deck, Deck Belt, Blades & Deck Lift | |
| Service Deck | 7-1 |
| Deck, Pulleys, Spindles, Deck Belt & Blades (Multi-Page) | 7-2 |
| SERVICE PARTS - 607407 Spindle | 7-3 |
| Deck Lift & Deck Height (Multi-Page) | 7-4 |
| Seat, Suspension & ROPS | |
| Seat, Floor Pan, Suspension (Multi-Page) | 8-1 |
| Seat Service Parts - 609185 | 8-2 |
| ROPS | 8-3 |

General Information

Note: When ordering parts, you must use the part number as shown for each part, not the index number. Always give the model and serial number to your parts and service representative.

Note: Items sold in bulk such as seals and hoses are sold by the foot.

Using This Manual

This manual is part of a service package for the Hustler® mowers. Use of this manual in conjunction with other Hustler® mower and component manuals will provide the information necessary to service and maintain Hustler® mowers.

This Parts Manual provides a complete parts listing for the unit. Use this manual when ordering parts. Illustrations used were current at the time of printing, but subsequent production changes may cause your machine to vary slightly in detail. Excel Industries, Inc. reserves the right to redesign and change the machine as deemed necessary, without notification. If a change has been made to your machine which is not reflected in this parts manual, see your authorized dealer for current information and parts.

The Service Manual is a service guide for use by Service Technicians. It provides the necessary information needed to perform normal maintenance requirements on these units.

The Operator's Manual provides fundamental operational information and operational safety that is needed when operating the mower.

The component manuals are furnished by the various manufacturers to be used for the troubleshooting and servicing of their products.

Hardware Description Codes & Abbreviations

The following codes are used throughout this parts manual. Refer to this list when ordering parts.

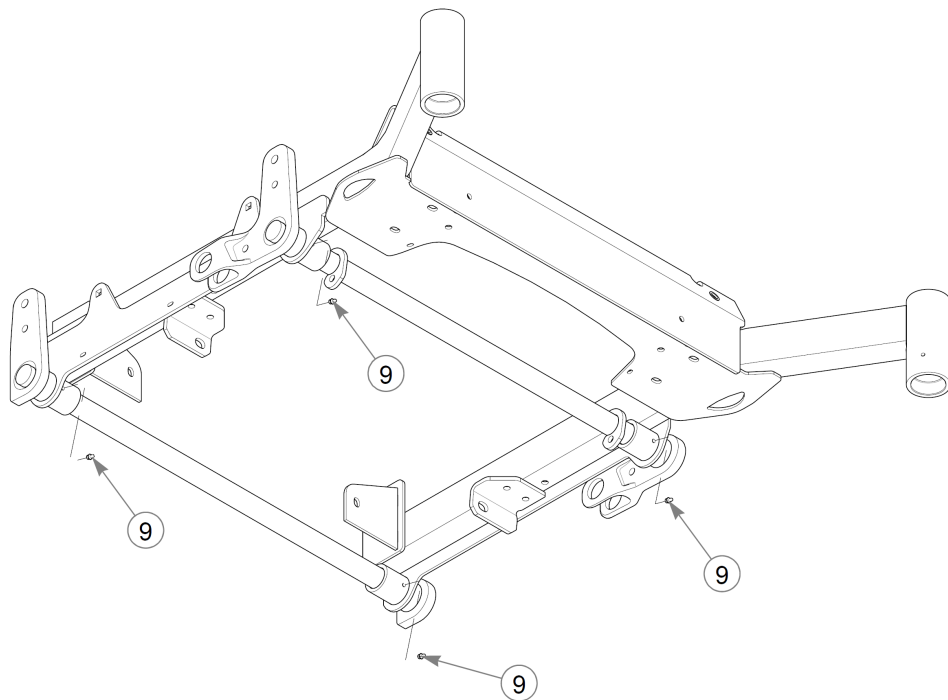
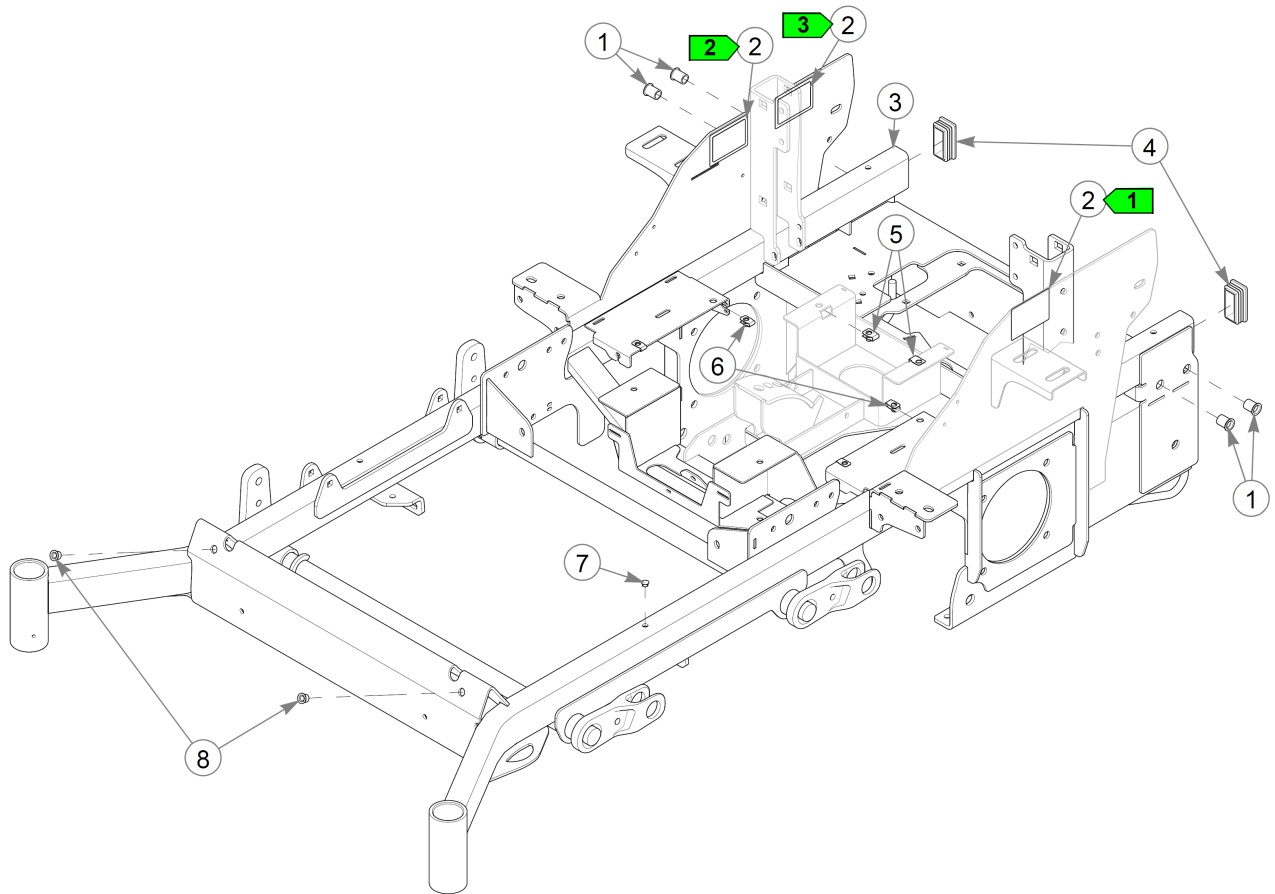
| ABBREVIATION | DESCRIPTION | ABBREVIATION | DESCRIPTION |
|--------------|---------------|--------------|------------------------|
| CB | CARRIAGE BOLT | MB | MACHINE BUSHING |
| CE | CLEVIS PIN | MS | MACHINE SCREW |
| CN | CLIP NUT | NT | NUT |
| CP | COTTER PIN | SC | SELF TAPPING CAP SCREW |
| CS | CAP SCREW | SH | SOCKET HEAD |
| CW | CUP WASHER | SB | SHOULDER BOLT |
| FDRW | FENDER WASHER | SS | SET SCREW |
| FW | FLAT WASHER | OD | OUTSIDE DIAMETER |
| HX | HEX HEAD | ID | INSIDE DIAMETER |
| LW | LOCK WASHER | WN | WELD NUT |

Standard Torques

The following chart lists the standard torque values for the threaded fasteners found in this manual. Torque all cap screws, nuts and set screws to these values unless a different torque is shown in the Notes section next to the fastener.

| SIZE | FT-LBS | N•M | SIZE | FT-LBS | N•M |
|------|--------|------|------|--------|-------|
| .250 | 8.2 | 11.1 | M3 | 1 | 1.3 |
| .312 | 17 | 23 | M4 | 2.2 | 3 |
| .375 | 30 | 40 | M5 | 4.5 | 6.1 |
| .438 | 48 | 65 | M6 | 7.7 | 10.4 |
| .500 | 73 | 99 | M8 | 18.5 | 25 |
| .562 | 105 | 143 | M10 | 37 | 50 |
| .625 | 145 | 200 | M12 | 64 | 87 |
| .750 | 260 | 350 | M14 | 80 | 108.5 |
| .875 | 420 | 565 | M16 | 160 | 215 |
| 1.00 | 625 | 850 | M20 | 320 | 435 |
| | | | M24 | 555 | 750 |

This page intentionally left blank

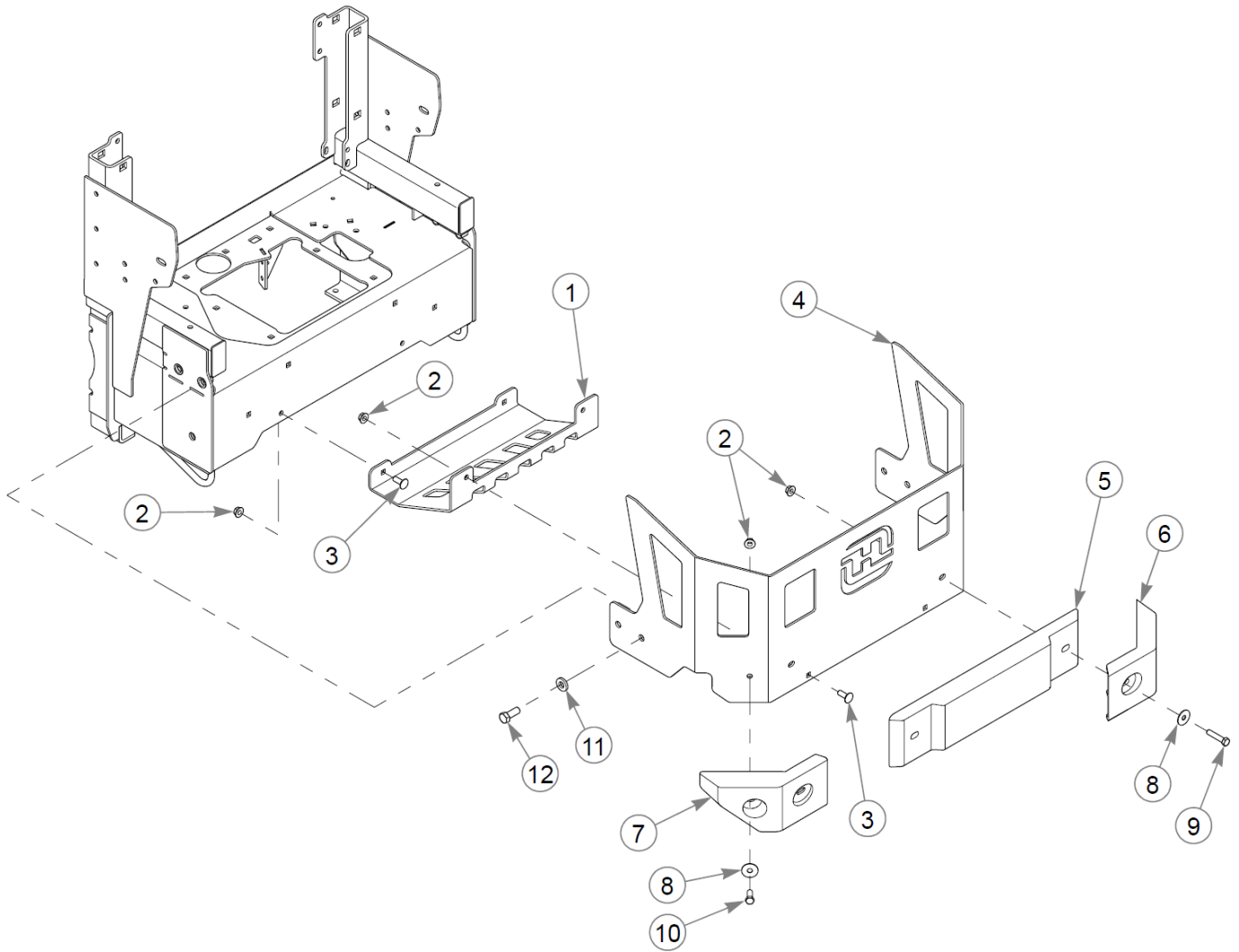


Frame

| Item | Part No. | Qty | Name |
|------|----------|-----|--------------------------|
| 1 | 600961 | 4 | RIVET NUT, 1/2-13 THREAD |
| 2 | N/A | 3 | Not Applicable |
| 3 | 556713 | 1 | FRAME INSTALL |
| 4 | 609171 | 2 | PLUG, FRAME TUBE |
| 5 | 601069 | 2 | CN .312-18x.200 MAX THK |
| 6 | 601982 | 4 | CN .250-20X .150 MAX THK |
| 7 | 609183 | 1 | PLUG, 3/8 HOLE |
| 8 | 808485 | 2 | RIVET NUT, 5/16-18 THRE |
| 9 | 015495 | 4 | GREASE FITTING STRAIGHT |

Comments for Page: Frame

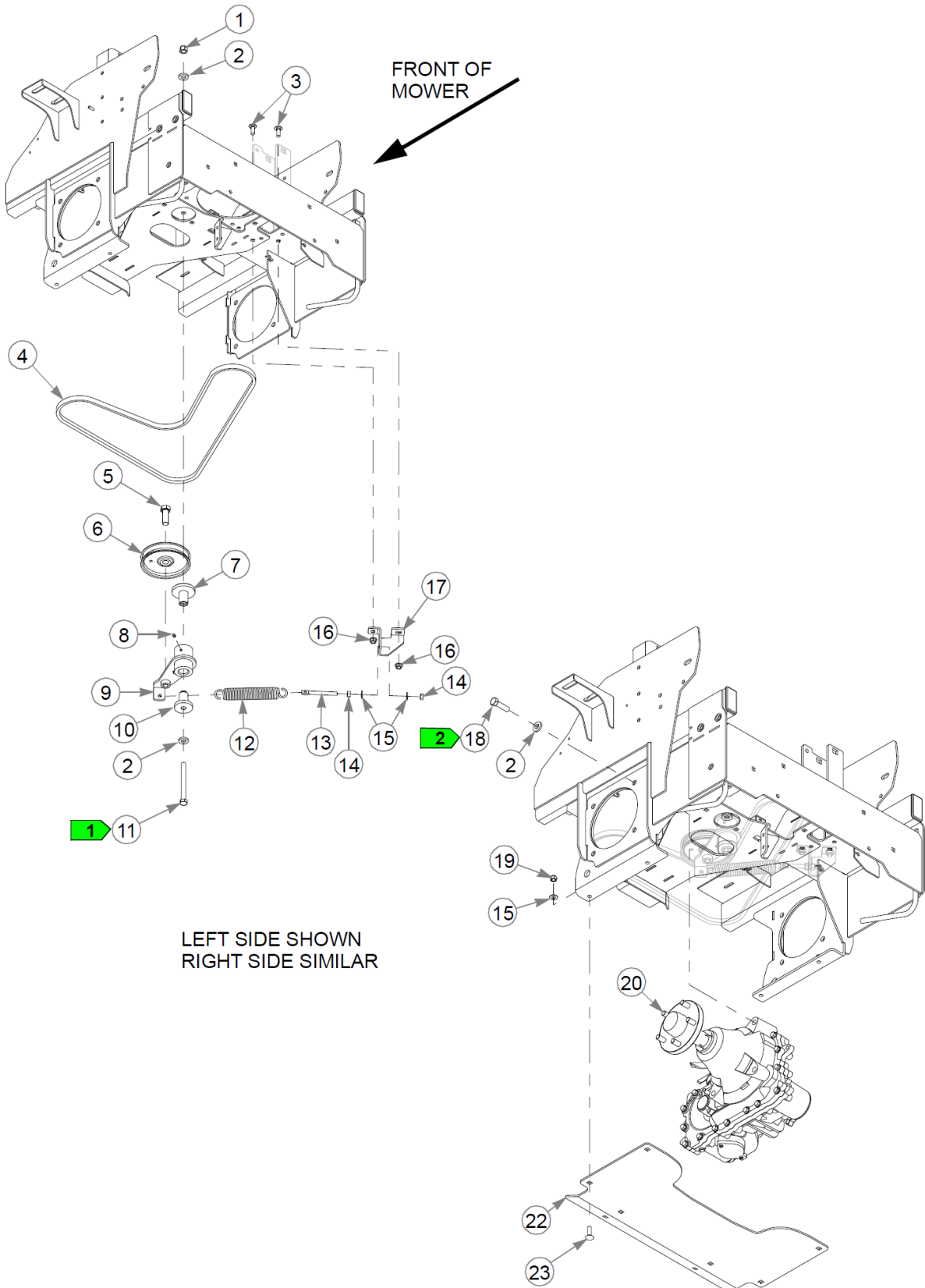
1. Serial number decal. In the event the serial number decal becomes damaged or illegible, please contact your dealer to order a replacement.
2. EPA compliance decal.
3. Patent numbers decal.



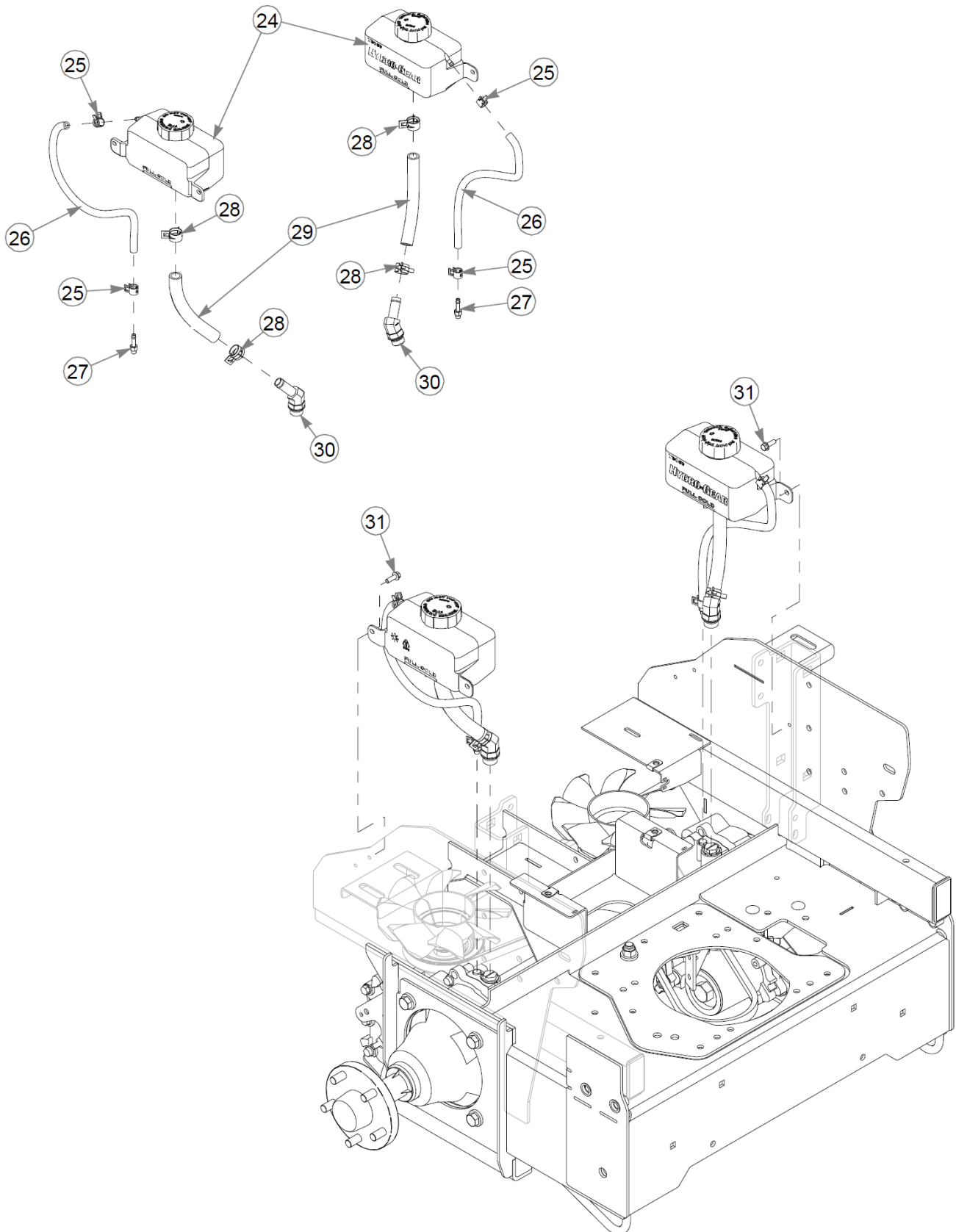
Engine Guard

60" X-RIDE Parts Manual - 944074 -
HTHXR V060KAWFX820VEFIA

| Item | Part No. | Qty | Name |
|------|----------|-----|--------------------------|
| 1 | 129739-6 | 1 | MUFFLER GUARD, SHORT |
| 2 | 016899 | 8 | NT .375-16 FLKG5 |
| 3 | 025395 | 4 | CB .375-16X 1.00 G5 ZN |
| 4 | 129667-1 | 1 | ENGINE GUARD |
| 5 | 606657 | 1 | PLASTIC BUMPER, CENTER |
| 6 | 606659 | 1 | PLASTIC BUMPER, RH |
| 7 | 606658 | 1 | PLASTIC BUMPER, LH |
| 8 | 705137 | 4 | FW 0.391X1.25X.06 ZN |
| 9 | 705178 | 2 | CS .375-16X1.750HXG5 |
| 10 | 036244 | 2 | CS .375-16X1.00 HX G5 ZN |
| 11 | 767962 | 4 | FW .531 x 1.063 x .175 |
| 12 | 705954 | 4 | CS .500-13X1.25 HX G5 ZN |



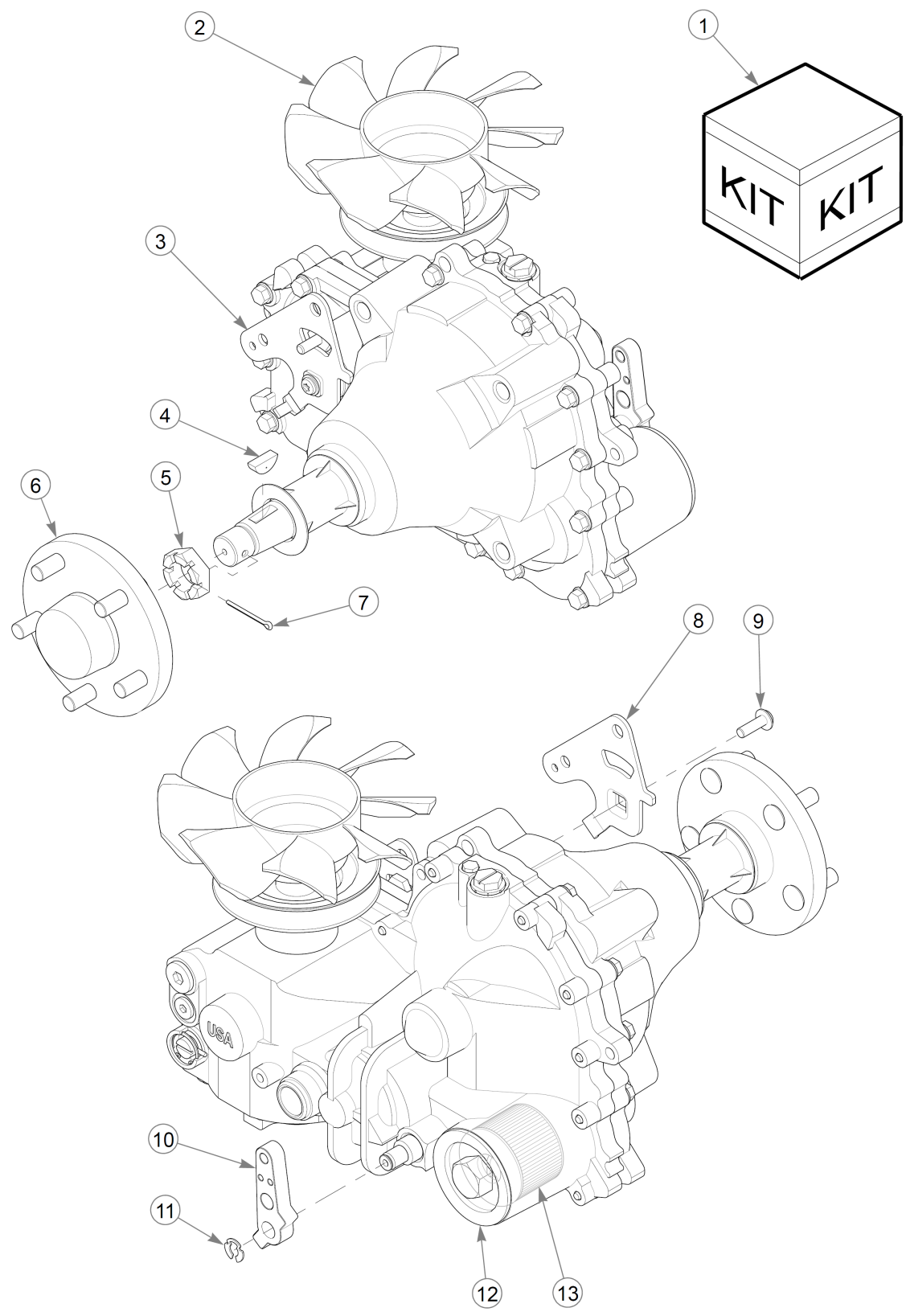
This page intentionally left blank



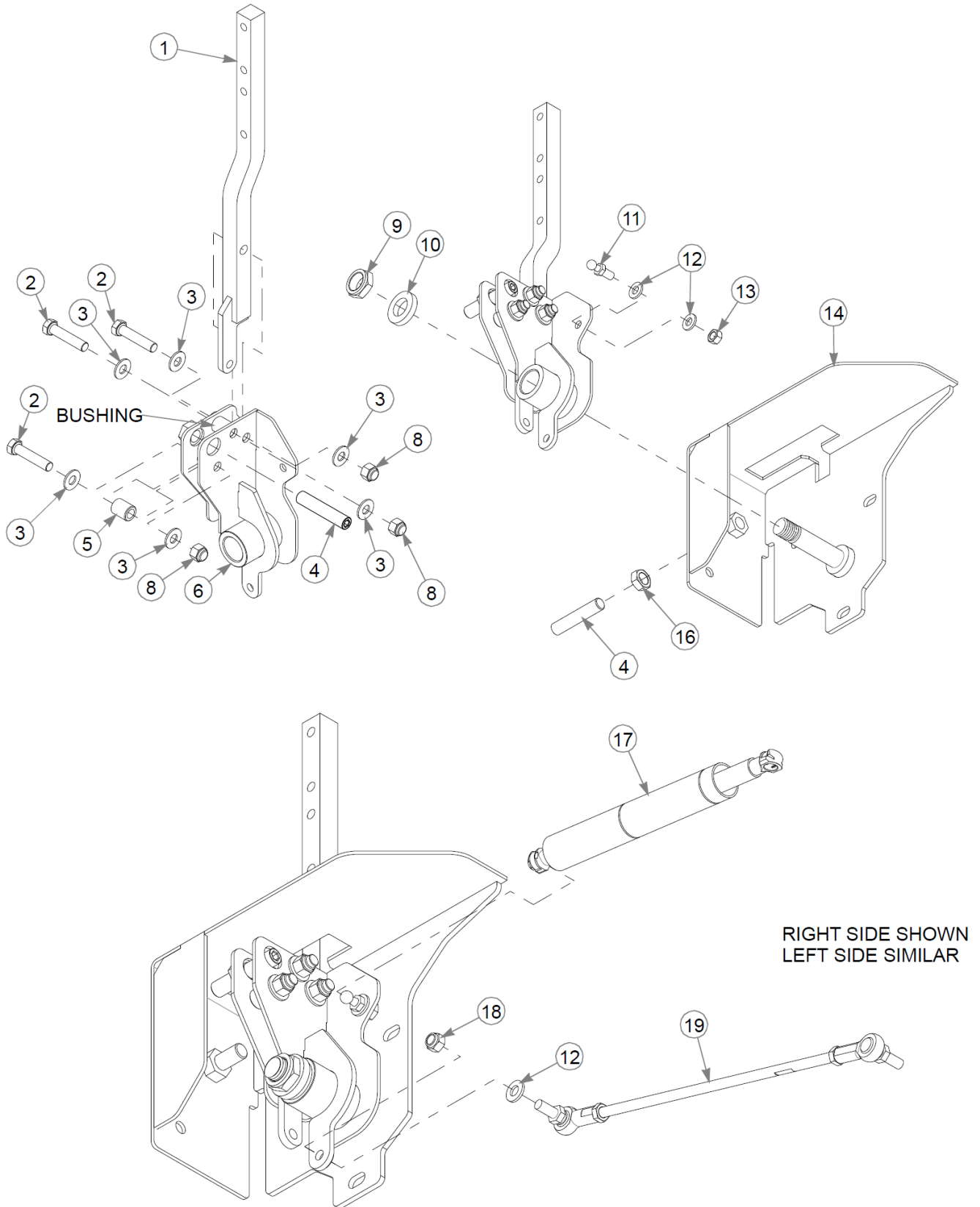
| Item | Part No. | Qty | Name |
|------|----------|-----|--------------------------|
| 1 | 781567 | 1 | NT .500-13NLG5 |
| 2 | 767962 | 10 | FW .531 x 1.063 x .175 |
| 3 | 025395 | 2 | CB .375-16X 1.00 G5 ZN |
| 4 | 609084 | 1 | BELT, 5L |
| 5 | 025007 | 1 | CS .62511X1.750HXG5 |
| 6 | 602304 | 1 | PULLEY, 5" FLAT IDLER |
| 7 | 602880 | 1 | BUSHING, IDLER PIVOT |
| 8 | 015495 | 1 | GREASE FITTING STRAIGHT |
| 9 | 129208-3 | 1 | TENSIONER W/A |
| 10 | 602879 | 1 | BUSHING, IDLER PIVOT |
| 11 | 051151 | 1 | CS .500-13X5.000HXG5 |
| 12 | 601016 | 1 | IDLER SPRING |
| 13 | 601486 | 1 | EB, .375-16X3.00 FULTHD |
| 14 | 054502 | 2 | NT .375-16HXG5 |
| 15 | 767954 | 6 | FW 0.379X.82X.06 HD ZN |
| 16 | 016899 | 2 | NT .375-16 FLKG5 |
| 17 | 129210-1 | 1 | SPRING ANCHOR |
| 18 | 608390 | 8 | CS .500-13X1.750 FULHXG8 |
| 19 | 086660 | 4 | NT .375-16NLG8 |
| 20 | 609035 | 1 | TRANS, ZT5400 L |
| 21 | 609036 | 1 | TRANS, ZT5400 R |
| 22 | 129196-1 | 1 | SKID PLATE |
| 23 | 603113 | 4 | CB .375-16X1.250 G5 ZN |
| 24 | 608057 | 2 | 1L EXPANSION TANK |
| 25 | 000323 | 4 | CLIP, HOSE CLAMP |
| 26 | 609066 | 2 | HOSE, HYDRAULIC |
| 27 | 608839 | 2 | FTG - STR, -2ORB -4BT |
| 28 | 608291 | 4 | CLAMP, -10 CONS TEN |
| 29 | 609065 | 2 | HOSE, EXPANSION |
| 30 | 609064 | 2 | FTG, -10MOR/-10BT 45 |
| 31 | 604324 | 4 | CS .250-20 X .75 HX FLG |

Comments for Page: Transmission & Drive Belt (Multi-Page)

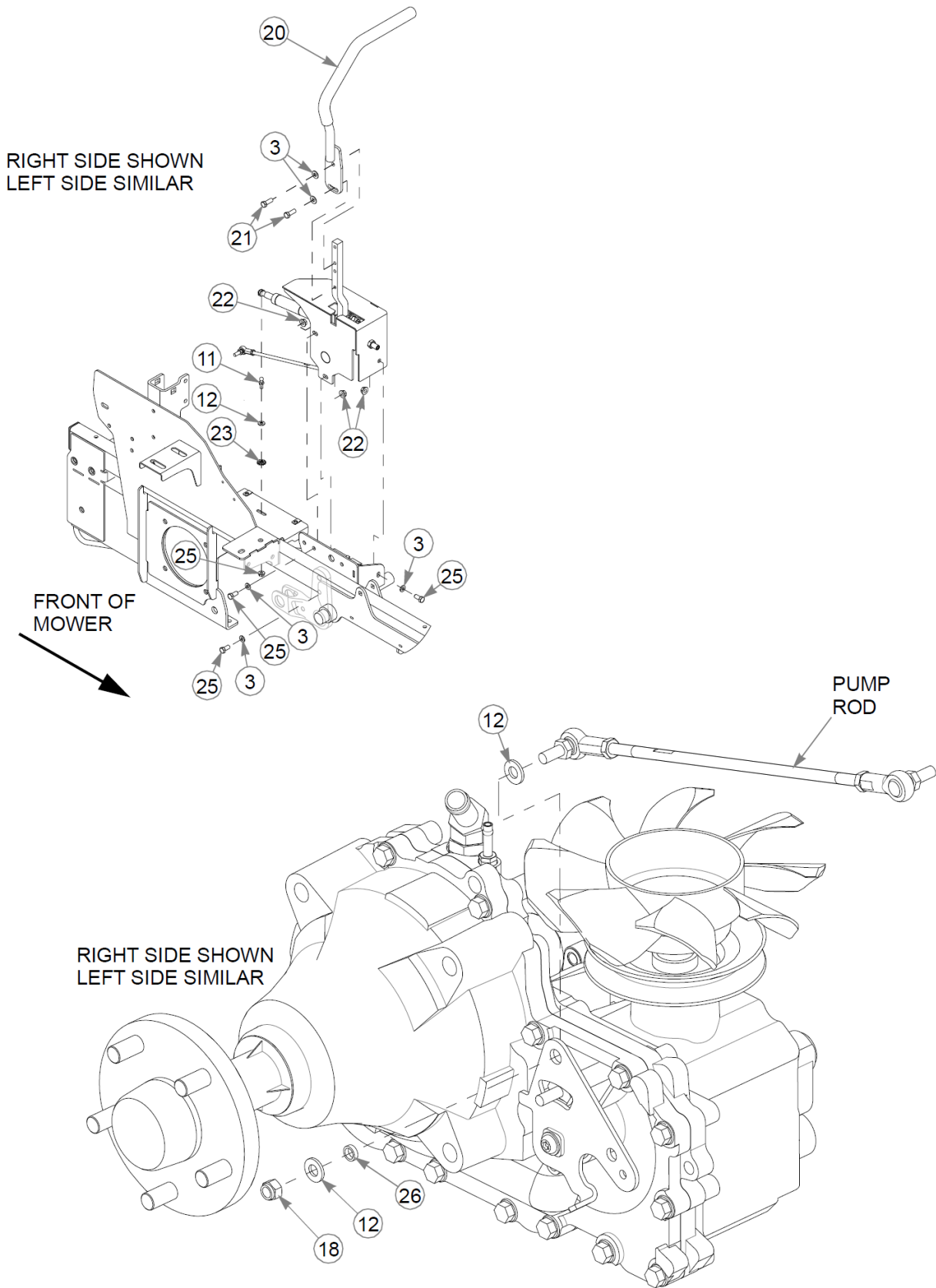
1. Torque to 71–75 ft-lbs. The tensioner must pivot freely.
2. Torque to 95-115 ft-lbs.



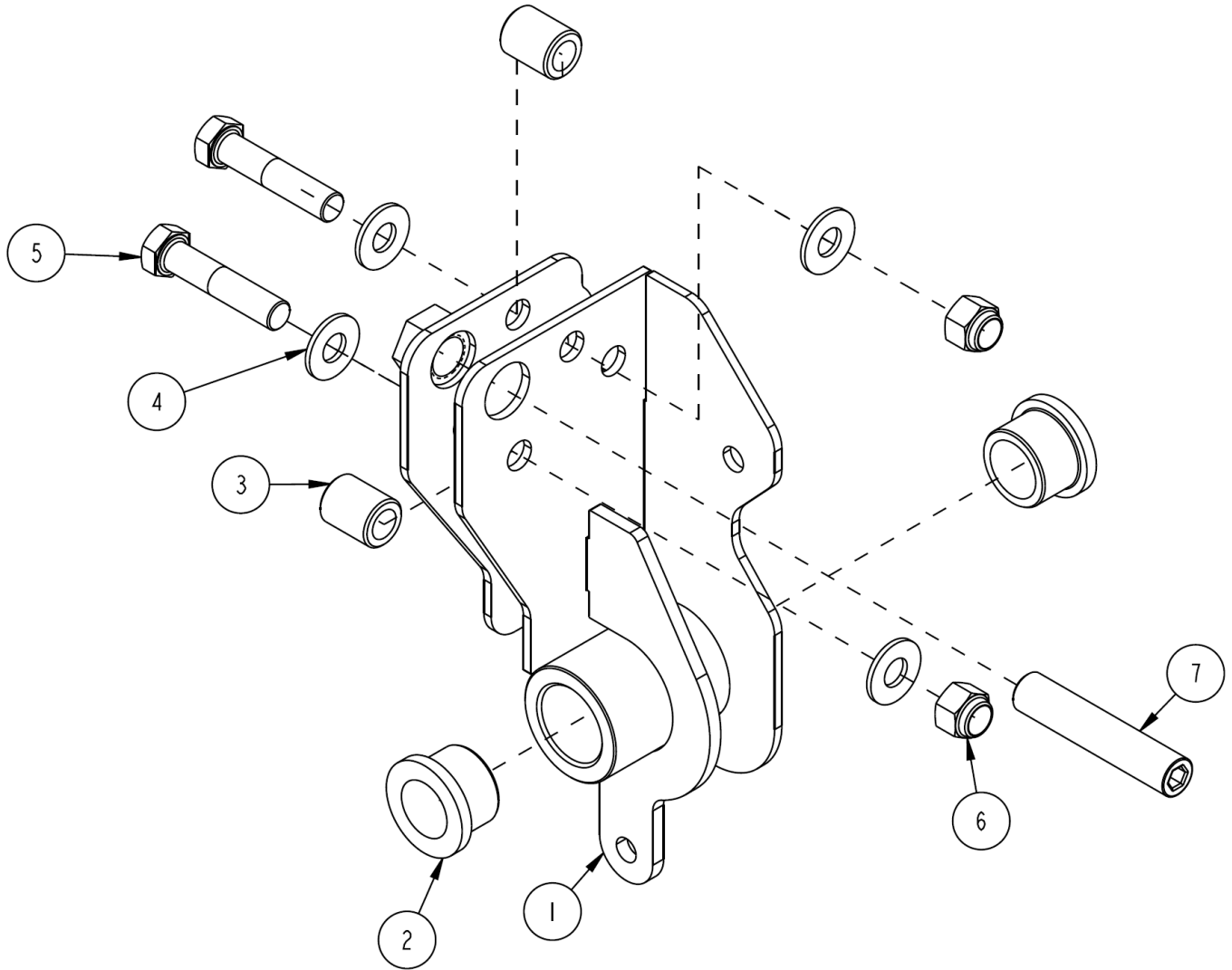
| Item | Part No. | Qty | Name |
|------|----------|-----|----------------------|
| 1 | 609088 | 1 | SEAL KIT 5400 |
| 2 | 609089 | 1 | FAN PULLEY KIT |
| 3 | 609094 | 1 | CONTROL ARM L |
| 4 | 601290 | 1 | KEY, HG MOTOR 15E |
| 5 | 609091 | 1 | HUB NUT |
| 6 | 609090 | 1 | HUB KIT |
| 7 | 609093 | 1 | COTTER KEY - HUB NUT |
| 8 | 609095 | 1 | CONTROL ARM R |
| 9 | 609022 | 1 | SCREW - CONTROL ARM |
| 10 | 609096 | 1 | BRAKE ARM |
| 11 | 600972 | 1 | CLIP, RETAINING |
| 12 | 609099 | 1 | FILTER CAP |
| 13 | 609098 | 1 | FILTER KIT, 5400 |



This page intentionally left blank



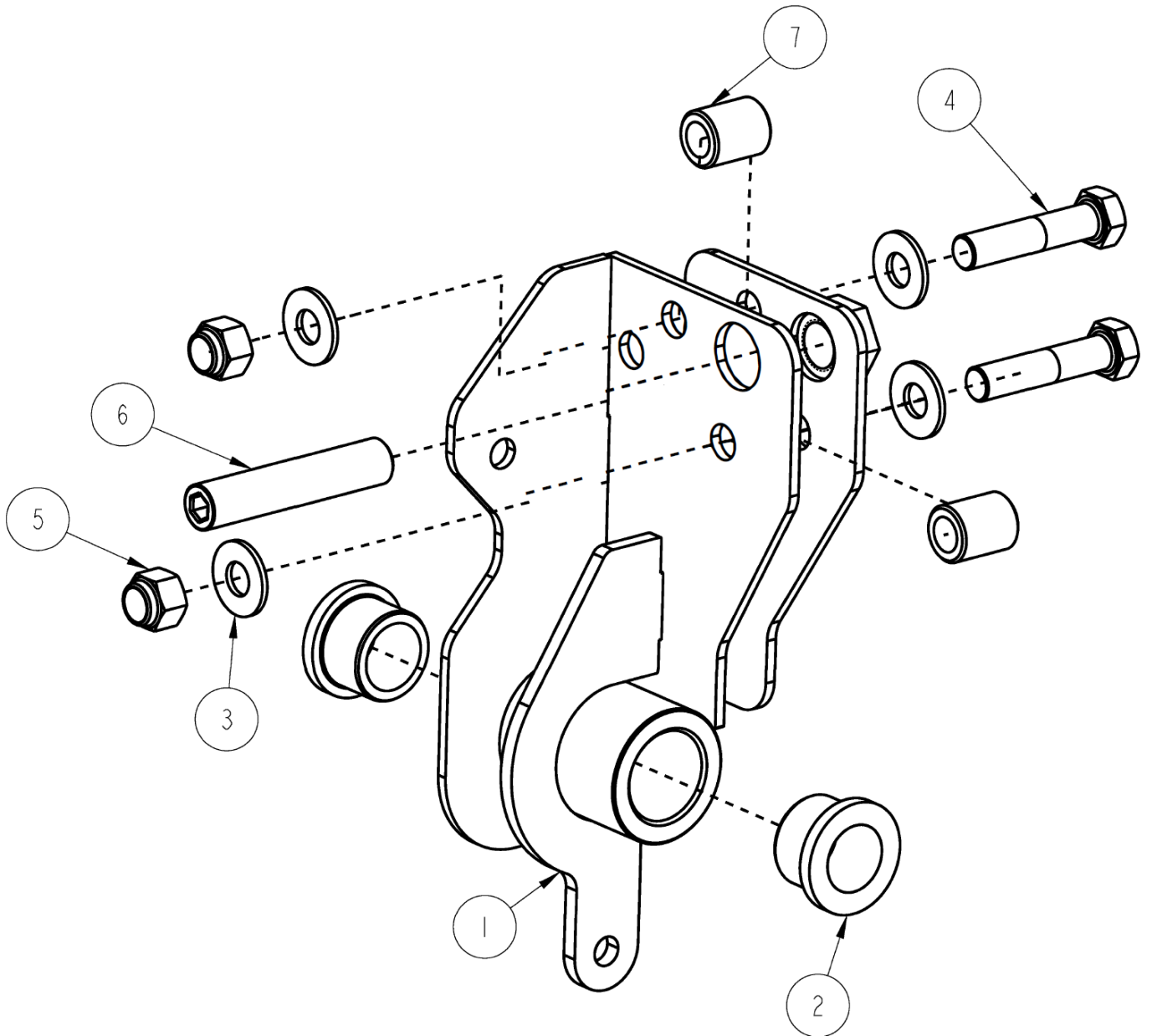
| Item | Part No. | Qty | Name |
|------|----------|-----|--------------------------|
| 1 | 608824-4 | 2 | STEERING ARM |
| 2 | 705178 | 2 | CS .375-16X1.750HXG5 |
| 3 | 767954 | 14 | FW 0.379X.82X.06 HD ZN |
| 4 | 603055 | 2 | SS .500-13X 2.50 SH ZN |
| 5 | 348862 | 2 | STEERLEVER BUSHING (PLA |
| 6 | 609254 | 1 | STEERING BOX, RH |
| 7 | 609255 | 1 | STEERING BOX, LH |
| 8 | 086660 | 2 | NT .375-16NLG8 |
| 9 | 604495 | 2 | NT .750-10 NL JAM |
| 10 | 778399 | 2 | FW .781X1.38X.25 ZN |
| 11 | 781922 | 4 | BALL STUD |
| 12 | 768523 | 12 | FW 0.343SAE |
| 13 | 034272 | 2 | NT .312-18HXG5 |
| 14 | 129302-6 | 1 | STEERING COVER W/A, RH |
| 15 | 129303-6 | 1 | STEERING COVER W/A, LH |
| 16 | 053199 | 2 | NT .500-13JAMG5 |
| 17 | 795351 | 2 | DAMPER, CENTERING |
| 18 | 023655 | 4 | NT 0.312-24 NL G8 |
| 19 | 608820 | 2 | PUMP ROD ASSEMBLY |
| 20 | 608823 | 2 | HANDLE ASSEMBLY |
| | 781260 | 2 | GRIP, STEERING BAR |
| 21 | 036244 | 4 | CS .375-16X1.00 HX G5 ZN |
| 22 | 016899 | 6 | NT .375-16 FLKG5 |
| 23 | 029876 | 2 | LW .312 INTEXT ZN |
| 24 | 016832 | 2 | NT .312-18FLKG5 |
| 25 | 055822 | 6 | CS .375-16X0.75 HX G5 ZN |
| 26 | 604456 | 2 | SPACER, PUMP ARM |



STEERING BOX, RH

60" X-RIDE Parts Manual - 944074 -
HTHXR V060KAWFX820VEFIA

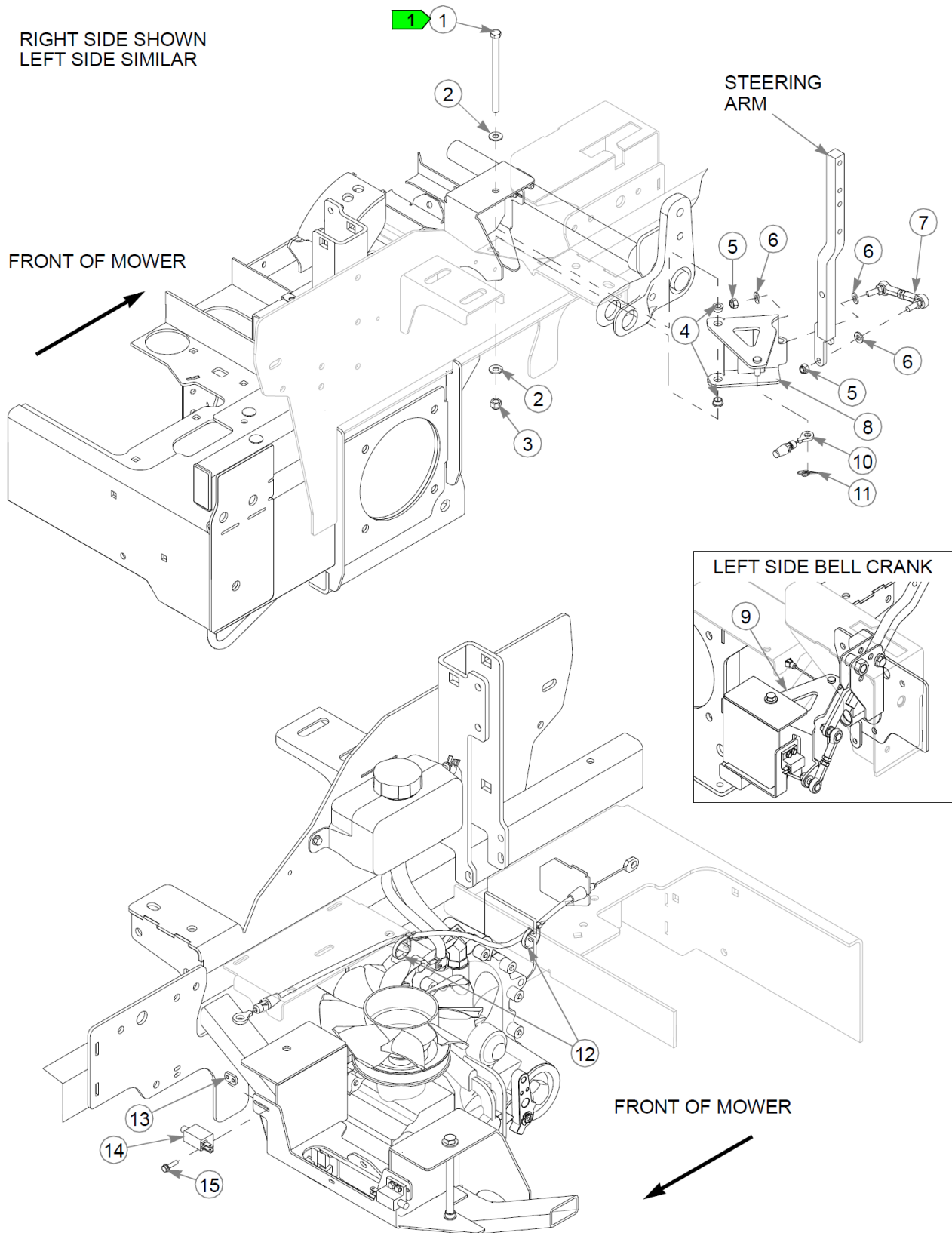
| Item | Part No. | Qty | Name |
|------|----------|-----|-------------------------|
| 1 | 129305-4 | 1 | STEERING BOX W/A, RH |
| 2 | 608000 | 2 | BUSHING |
| 3 | 348862 | 4 | STEERLEVER BUSHING (PLA |
| 4 | 767954 | 2 | FW 0.379X.82X.06 HD ZN |
| 5 | 705178 | 2 | CS .375-16X1.750HXG5 |
| 6 | 086660 | 2 | NT .375-16NLG8 |
| 7 | 603055 | 1 | SS .500-13X 2.50 SH ZN |



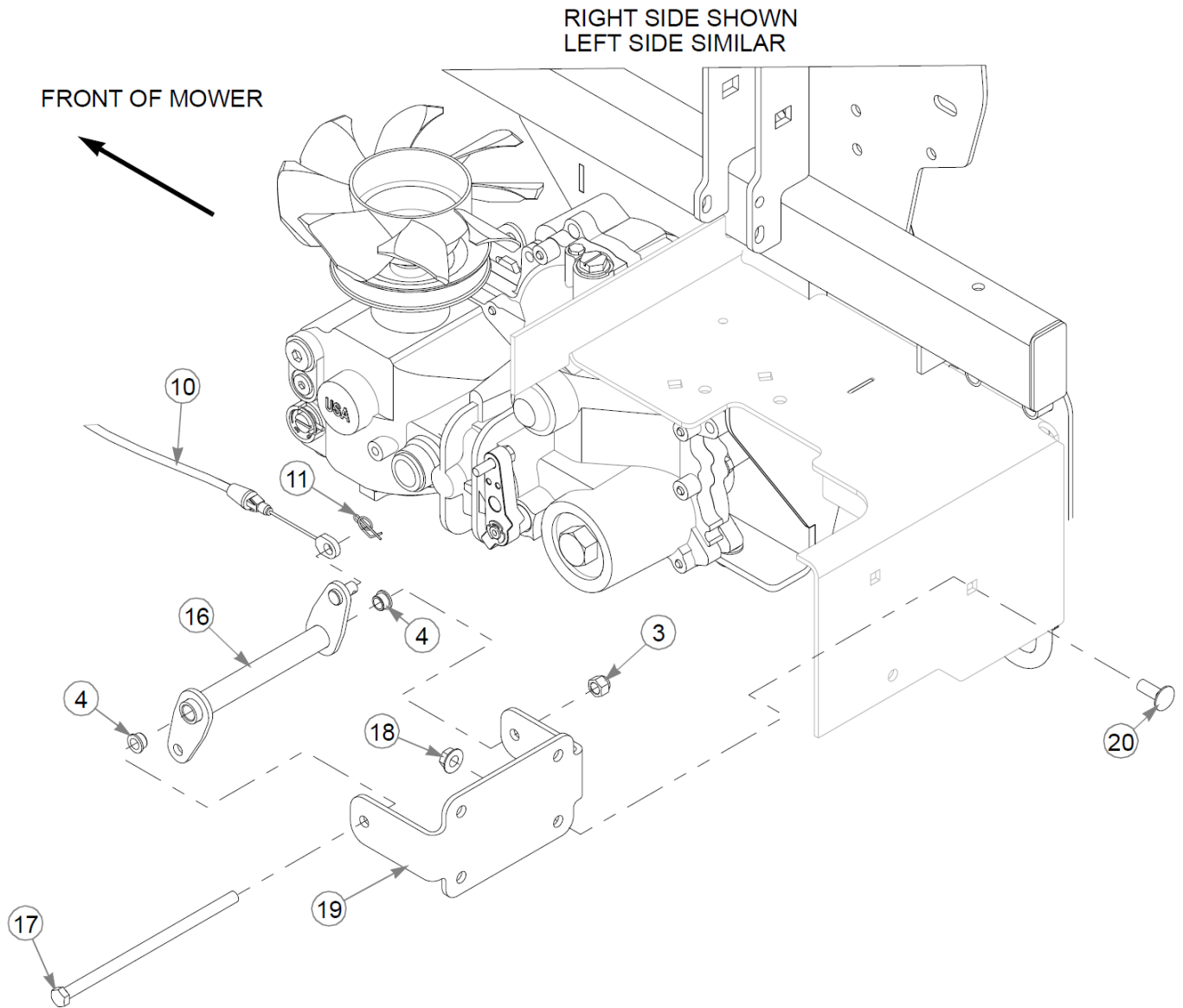
STEERING BOX, LH

60" X-RIDE Parts Manual - 944074 -
HTHXR V060KAWFX820VEFIA

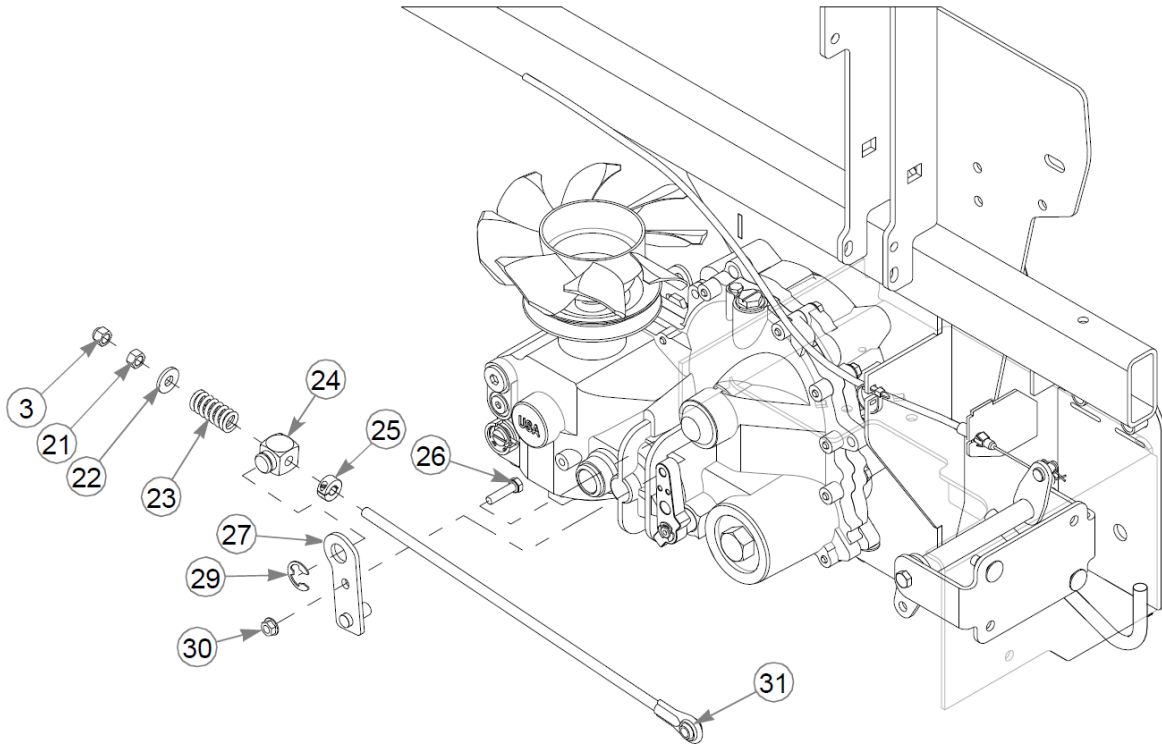
| Item | Part No. | Qty | Name |
|------|----------|-----|-------------------------|
| 1 | 129304-4 | 1 | STEERING BOX W/A, LH |
| 2 | 608000 | 2 | BUSHING |
| 3 | 767954 | 4 | FW 0.379X.82X.06 HD ZN |
| 4 | 705178 | 2 | CS .375-16X1.750HXG5 |
| 5 | 086660 | 2 | NT .375-16NLG8 |
| 6 | 603055 | 1 | SS .500-13X 2.50 SH ZN |
| 7 | 348862 | 2 | STEERLEVER BUSHING (PLA |



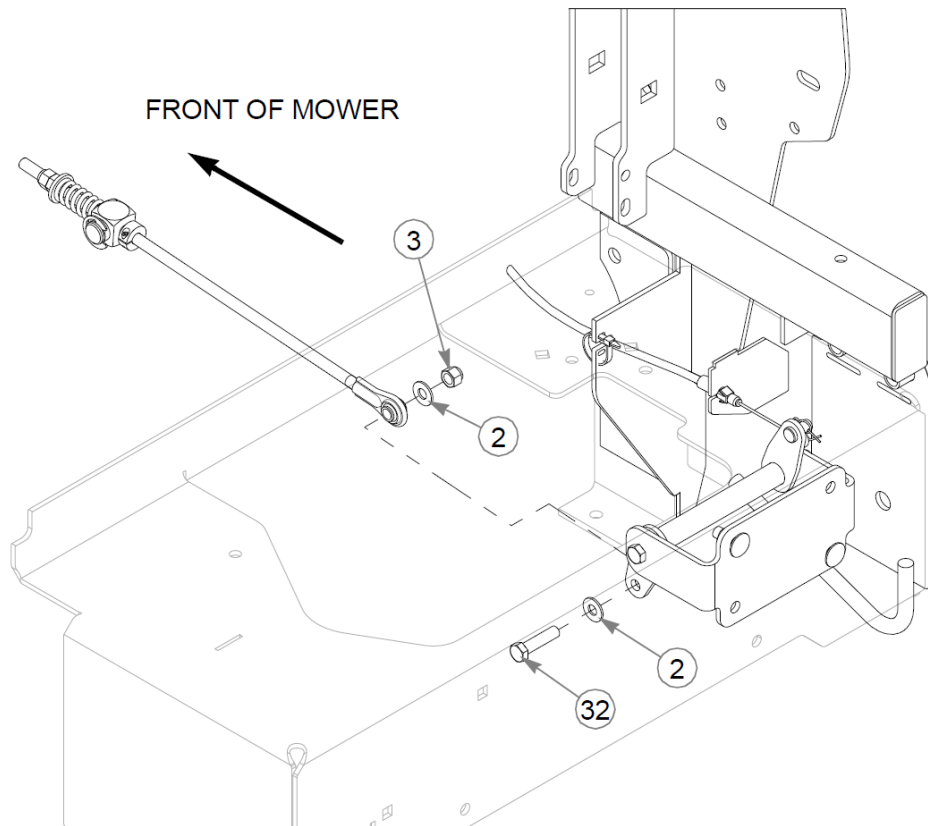
This page intentionally left blank



This page intentionally left blank



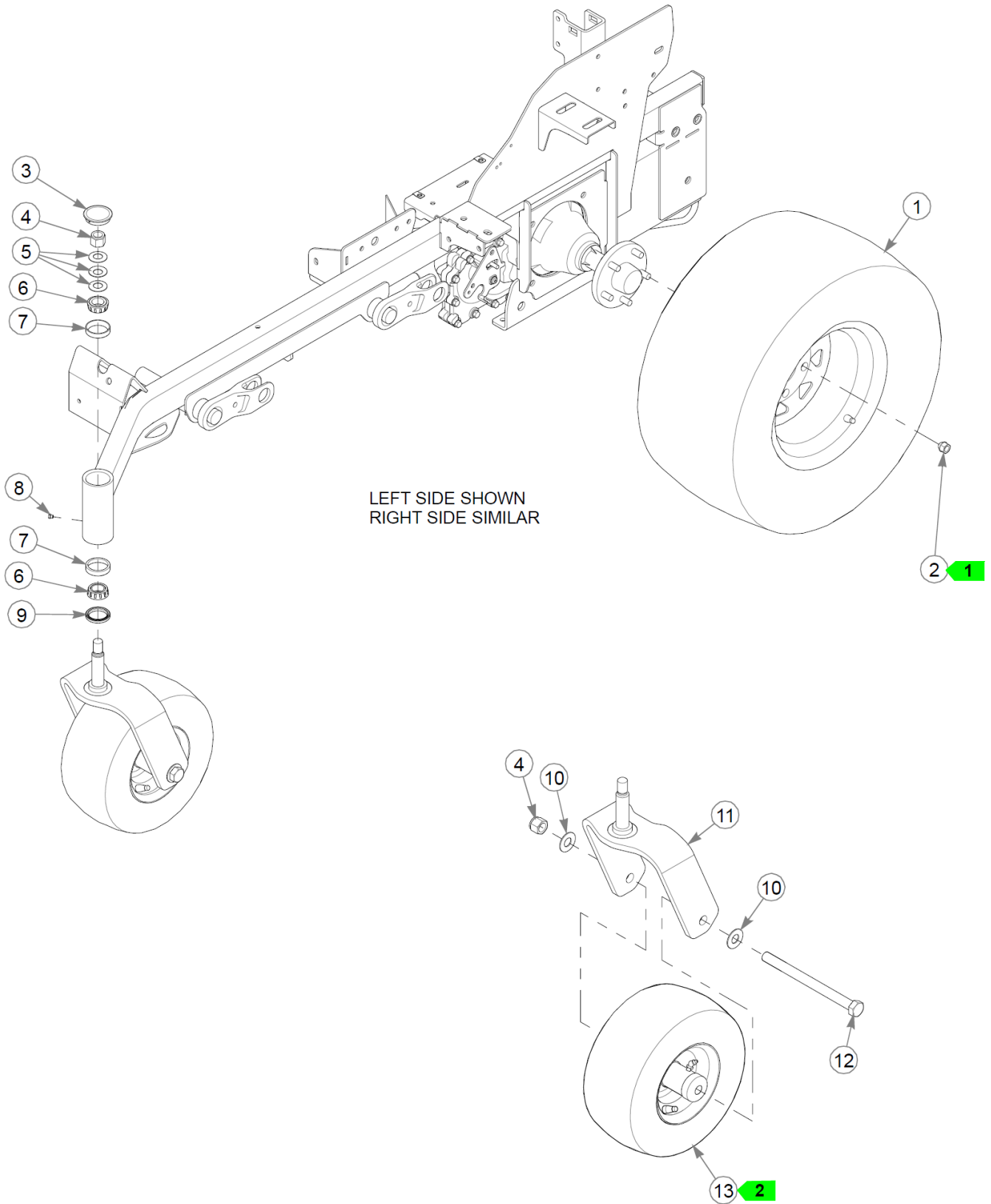
RIGHT SIDE SHOWN
LEFT SIDE SIMILAR



| Item | Part No. | Qty | Name |
|------|----------|-----|--------------------------|
| 1 | 748913 | 2 | CS .375-16x5.50 GR5 ZN |
| 2 | 767954 | 8 | FW 0.379X.82X.06 HD ZN |
| 3 | 086660 | 8 | NT .375-16NLG8 |
| 4 | 765339 | 8 | BUSHING,IGUS#0608 (FS) |
| 5 | 023655 | 4 | NT 0.312-24 NL G8 |
| 6 | 768523 | 6 | FW 0.343SAE |
| 7 | 609133 | 2 | BRAKE ROD ASSEMBLY |
| 8 | 129255-6 | 1 | W/A, BELLCRANK RH |
| 9 | 129253-6 | 1 | W/A BELLCRANK, LH |
| 10 | 609132 | 2 | CABLE, PUSH-PULL |
| 11 | 607093 | 4 | CP, RUE RING .054 X .392 |
| 12 | 000331 | 4 | WIRE TIE, SMALL/SHORT |
| 13 | 601822 | 2 | NUT PLATE, .420 CENTERS |
| 14 | 781211 | 2 | SWITCH, PUSH BUTTON |
| 15 | 063198 | 4 | CS #10-24X0.750FLKG5 |
| 16 | 129045-4 | 2 | W/A, BRAKE PIVOT |
| 17 | 609059 | 2 | CS .375-16X7.50 GR5 ZN |
| 18 | 016899 | 4 | NT .375-16 FLKG5 |
| 19 | 129048-6 | 2 | BRACKET, BRAKE PIVOT |
| 20 | 025395 | 4 | CB .375-16X 1.00 G5 ZN |
| 21 | 054502 | 2 | NT .375-16HXG5 |
| 22 | 712919 | 2 | FW 0.406X1.00X.12 HD ZN |
| 23 | 608946 | 2 | SPRING, COMPRESSION |
| 24 | 608837-4 | 2 | PIVOT BLOCK |
| 25 | 608985 | 2 | LOCK COLLAR, .375 ID |
| 26 | 079186 | 2 | CS .312-18X1.250HXG5 |
| 27 | 129257-4 | 1 | W/A, BRAKE LEVER RH |
| 28 | 129258-4 | 1 | W/A, BRAKE LEVER LH |
| 29 | 781294 | 2 | CLIP E, 1.00 X.625X .05 |
| 30 | 016832 | 2 | NT .312-18FLKG5 |
| 31 | 608831 | 2 | BRAKE ROD ASSEMBLY |
| 32 | 080655 | 2 | CS .375-16X1.500HXG5 |

Comments for Page: Brake (Multi-Page)

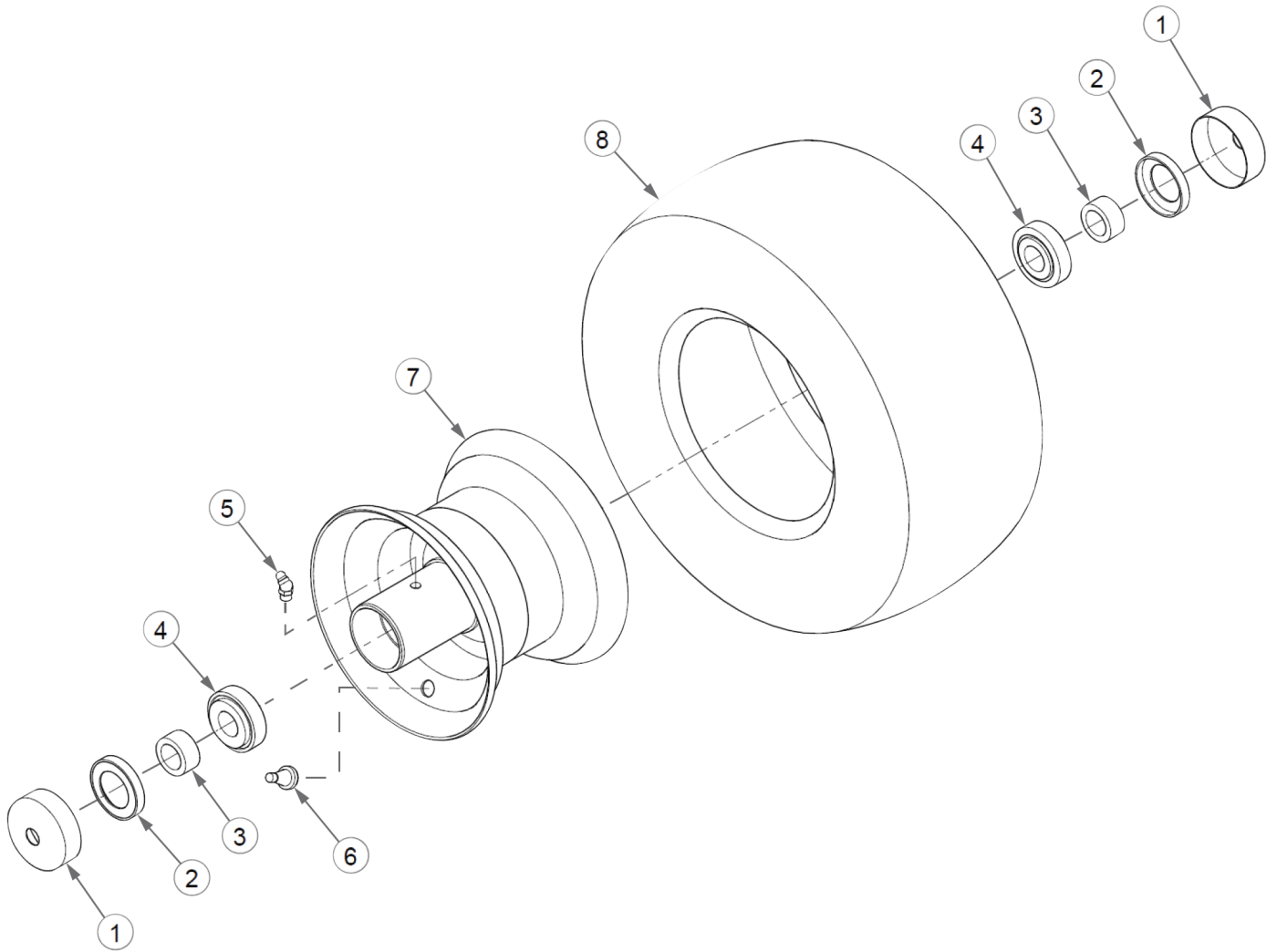
1. Do not torque; the nut should be snug but allow the brake bellcrank to pivot freely.



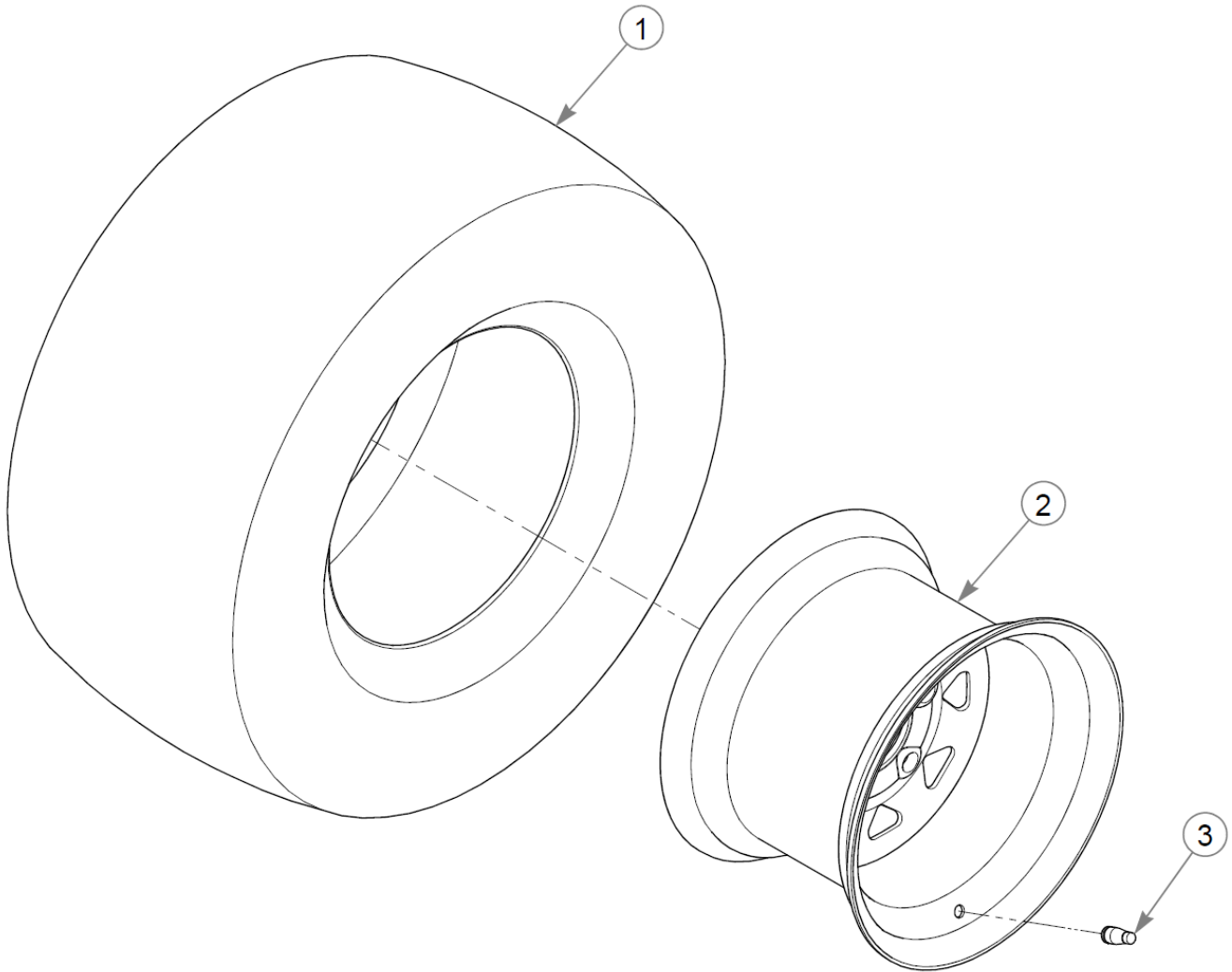
| Item | Part No. | Qty | Name |
|------|----------|-----|--------------------------|
| 1 | 607539 | 2 | TIR/WHL 26X12.00-12 BLK |
| 2 | 061077 | 10 | WHEEL NUT |
| 3 | 608751 | 2 | DUST CAP, BLACK |
| 4 | 061101 | 4 | NT .750-10 HX ZN NL GR B |
| 5 | 606715 | 6 | CW 0.766 X 1.50 X .093 |
| 6 | 606712 | 4 | BEARING, TAPERED ROLLER |
| 7 | 606713 | 4 | RACE, TAPERE ROLLER |
| 8 | 606817 | 2 | GREASE PLUG |
| 9 | 609109 | 2 | SEAL - SHAFT |
| 10 | 025296 | 4 | FW .760X1.63X0.08 ZN |
| 11 | 130055 | 2 | KIT - FORK ASM |
| 12 | 041475 | 2 | CS .750-10X9.50 HX G5 ZN |
| 13 | 606745 | 2 | TIR/WHL 13X6.50-6 BLK |

Comments for Page: Wheels & Tires

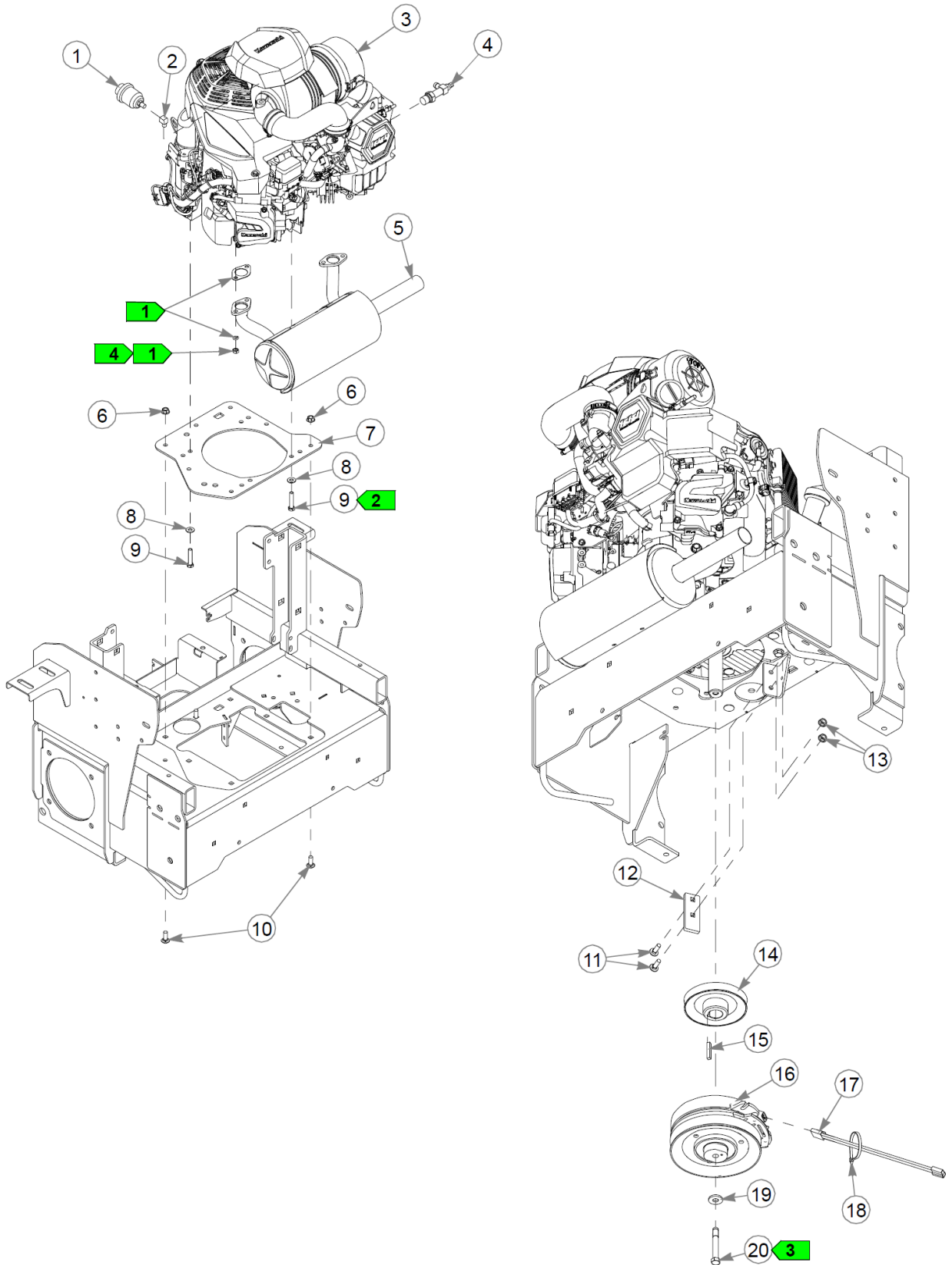
1. Torque to 65–75 ft-lbs.
2. Inflate the tire to 13–15 PSI.



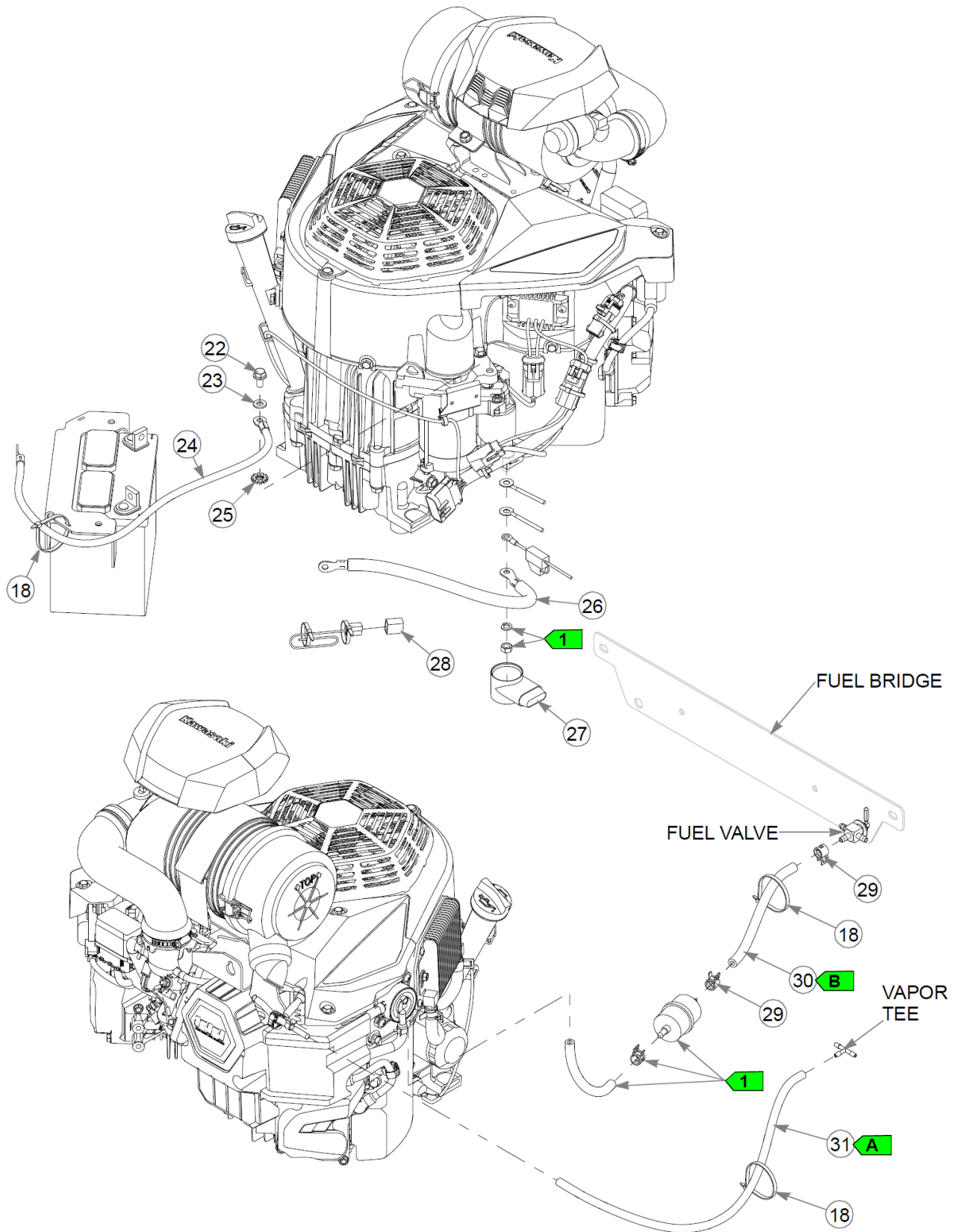
| Item | Part No. | Qty | Name |
|------|----------|-----|-------------------------|
| | 606745 | | TIR/WHL 13X6.50-6 BLK |
| 1 | 606815 | 2 | DUST CAP, 0.752 ID |
| 2 | 606780 | 2 | SEAL |
| 3 | 606778 | 2 | SPACER, 0.531 |
| 4 | 606753 | 2 | BEARING, TAPERED ROLLER |
| 5 | 606126 | 1 | GREASE FITTING, M8X1.0 |
| 6 | 019521 | 1 | TIRE VALVE TR-412 GOODY |
| 7 | 606752 | 1 | WHL 6X4.50 BLK |
| 8 | 604843 | 1 | TIR 13X6.50-6 B4R SMTH |



| Item | Part No. | Qty | Name |
|------|----------|-----|--------------------------|
| 1 | 603775 | 1 | TIR 26X12.00-12 B6R GRMR |
| 2 | 607536 | 1 | WHL 12X8.50 5X4.5 BLK |
| 3 | 019521 | 1 | TIRE VALVE TR-412 GOODY |



This page intentionally left blank



| Item | Part No. | Qty | Name |
|--|----------|-----|--------------------------|
| 1 | 788943 | 1 | AIR FILTER INDICATOR |
| 2 | 601216 | 1 | FTG, ELBOW, STREET |
| 3 | | 1 | ENGINE, FX820V EFI |
| 4 | 796524 | 1 | VALVE,OIL DRAIN M20x2.5 |
| 5 | 609051 | 1 | MUFFLER, FX820V |
| 6 | 016899 | 7 | NT .375-16 FLKG5 |
| 7 | 128400-4 | 1 | SUPPORT - ENGINE |
| 8 | 767954 | 4 | FW 0.379X.82X.06 HD ZN |
| 9 | 607116 | 4 | CS 0.375-16X1.750 G8ZN |
| 10 | 025395 | 7 | CB .375-16X 1.00 G5 ZN |
| 11 | 037887 | 2 | CB .312-18X 1.000 FUL ZN |
| 12 | 129058-1 | 1 | CLUTCH ANCHOR |
| 13 | 016832 | 2 | NT .312-18FLKG5 |
| 14 | 609037 | 1 | PULLEY, DRIVE |
| 15 | 212076 | 1 | KEY 1/4 SQ X 1.50 LG(FS) |
| 16 | 609039K | 1 | KIT, CLUTCH CMS225 |
| 17 | 791251 | 1 | HARNESS, CLUTCH PIGTAIL |
| <p>Comments for Part Num. 791251</p> <p>Pigtail was updated with epoxy to hold the wires steady. The wire sheath was also updated to a more flexible material.</p> | | | |
| 18 | 000331 | 4 | WIRE TIE, SMALL/SHORT |
| 19 | 602680 | 1 | FW .453X1.12X.12 HRD ZN |
| 20 | 785048 | 1 | CS .437-20X3.00 HXG5ZN |
| 22 | 720516 | 1 | CS M8-1.25X16HX FL10.9 |
| 23 | 768523 | 1 | FW 0.343SAE |
| 24 | 780015 | 1 | BATTERY CABLE, (-) ES W |
| 25 | 029876 | 1 | LW .312 INTEXT ZN |
| 26 | 601062 | 1 | BATTERY CABLE, POS. |
| 27 | 609182 | 1 | BOOT, RED |
| 28 | 789131 | 1 | CAP, HUSTLRZ FAN CON(FS) |
| 29 | 000323 | 2 | CLIP, HOSE CLAMP |
| 30 | 015818P | 1 | FUEL LINE, 1/4" - 6 FT |
| 31 | 603326P | 1 | VAPOR LINE, 3/16" - 7 FT |

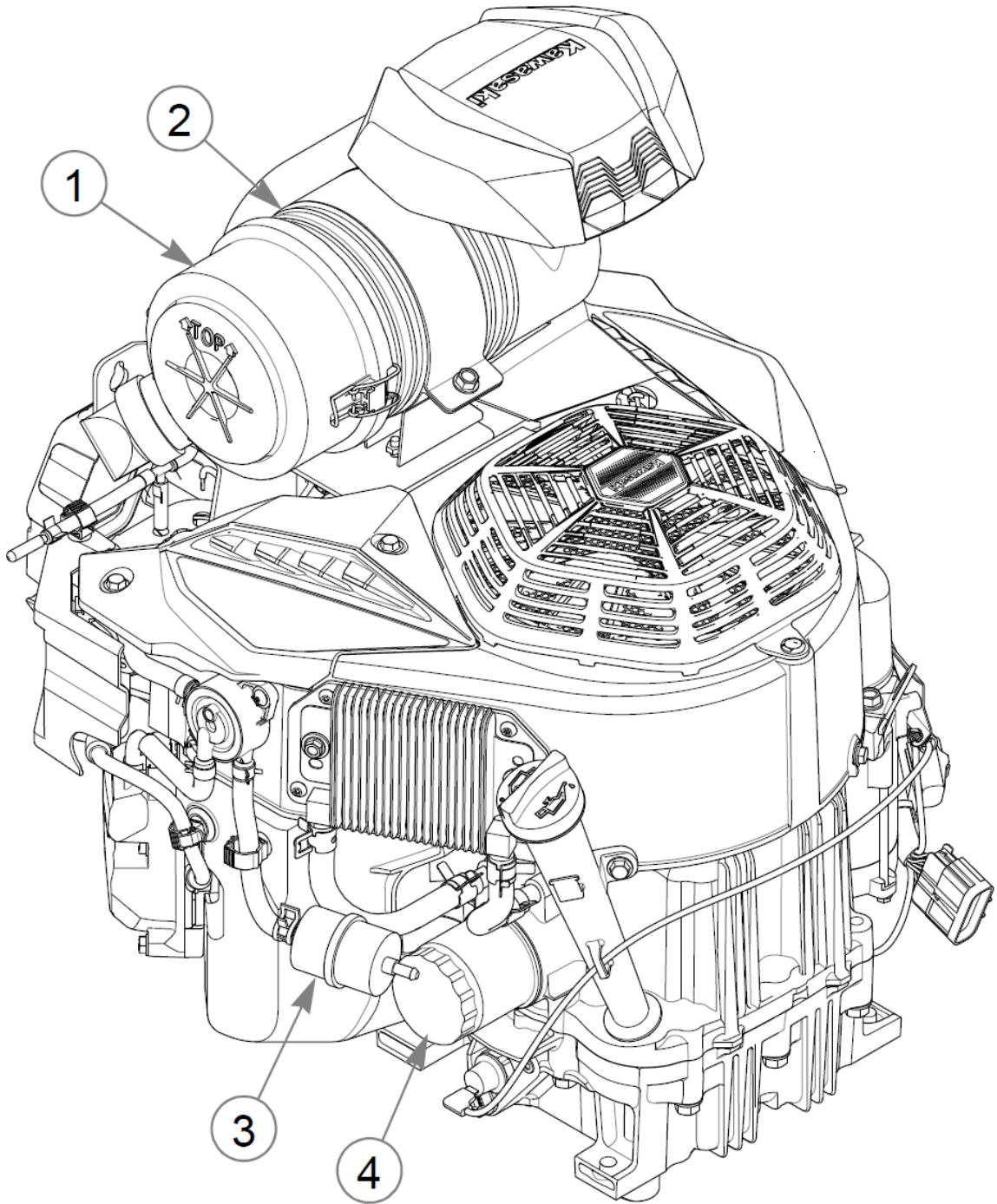
Comments for Page: Engine, Muffler, Clutch & Fuel System

Engine, Muffler, Clutch & Fuel System

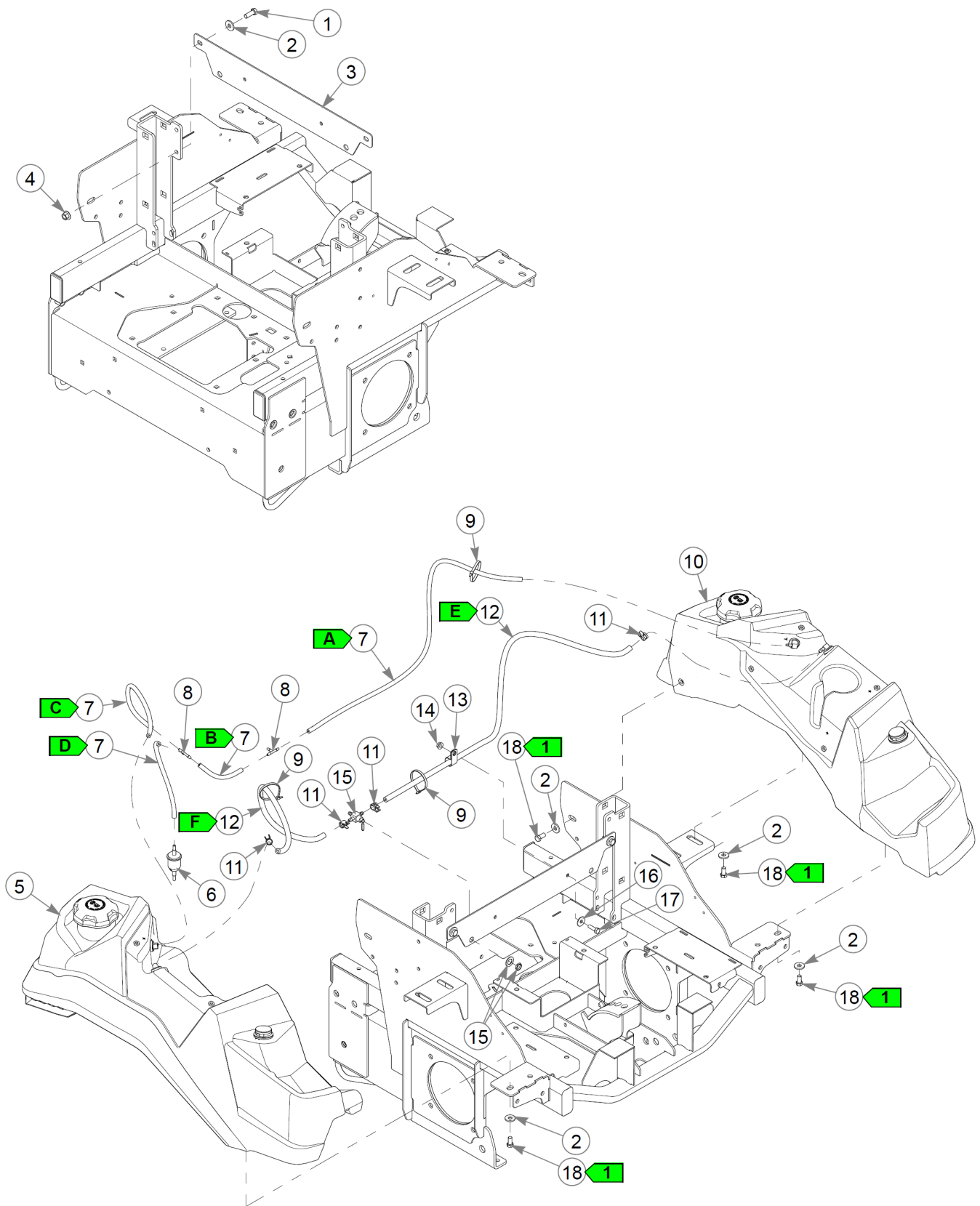
60" X-RIDE Parts Manual - 944074 -
HTHXRV060KAWFX820VEFIA

1. Supplied with the engine.
2. Torque to 44 ft-lbs. Replace (do not reuse) the cap screw if it is removed or loosened.
3. Torque to 45–48 ft-lbs. Replace (do not reuse) the cap screw if it is removed or loosened.
4. Torque to 17 ft-lbs.

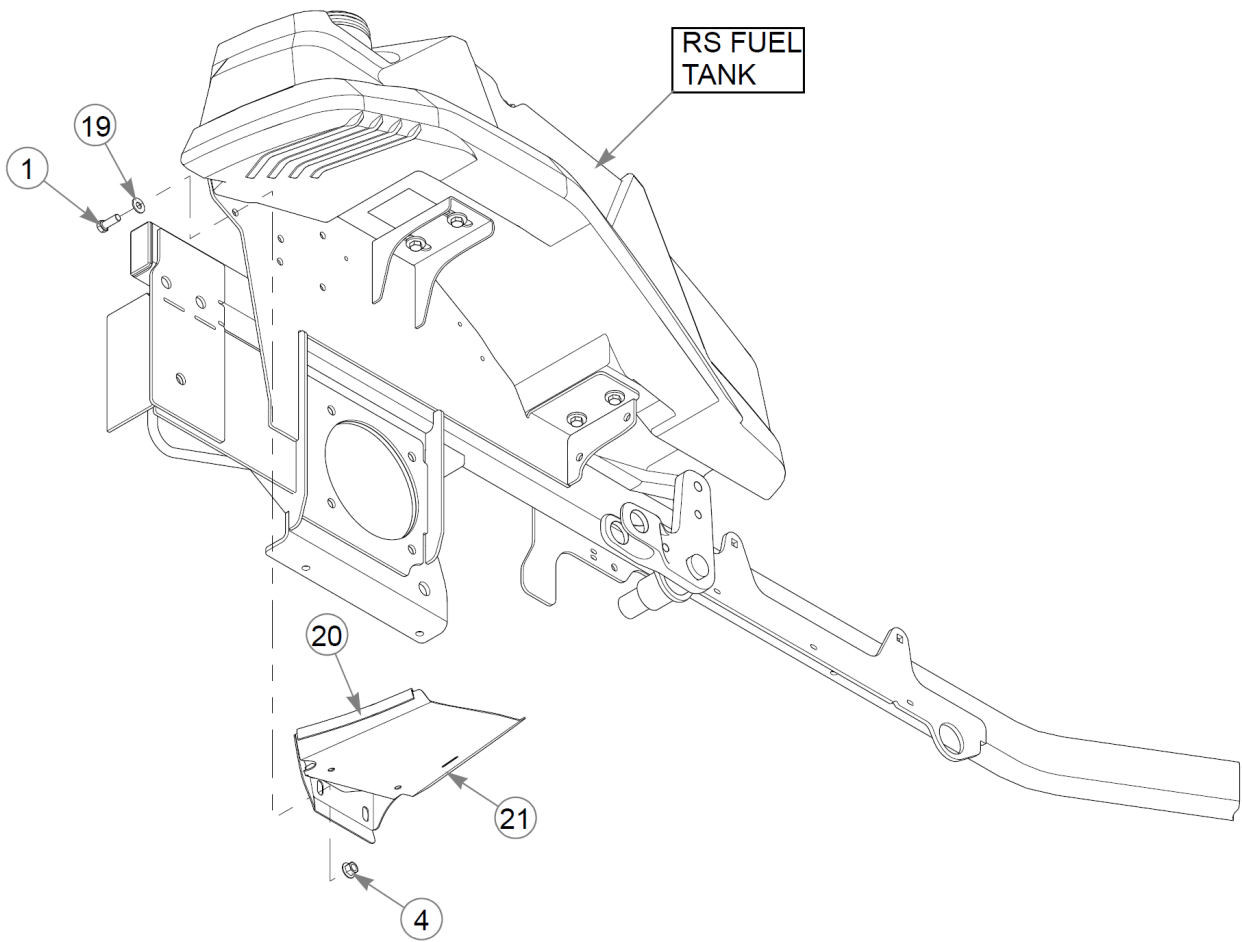
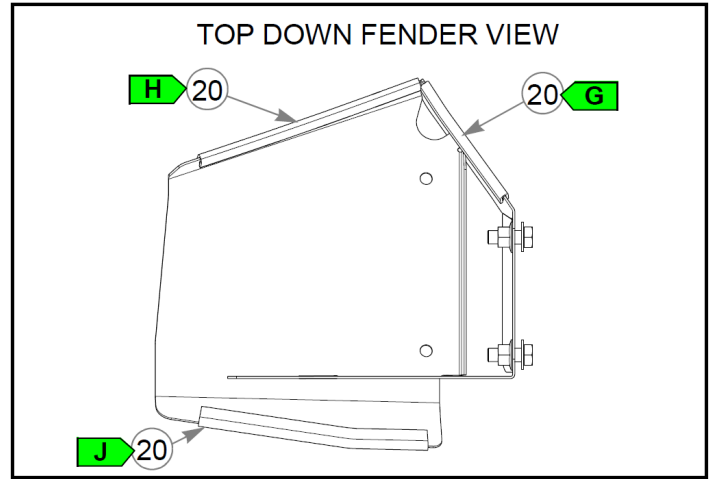
This page intentionally left blank



| Item | Part No. | Qty | Name |
|------|----------|-----|-----------------------|
| 1 | 785261 | 1 | AIR FILTER - MAIN |
| 2 | 785279 | 1 | AIR FILTER - SAFETY |
| 3 | 604558 | 1 | FILTER, KAWASAKI FUEL |
| 4 | 603138 | 1 | ENGINE OIL FILTER |



This page intentionally left blank



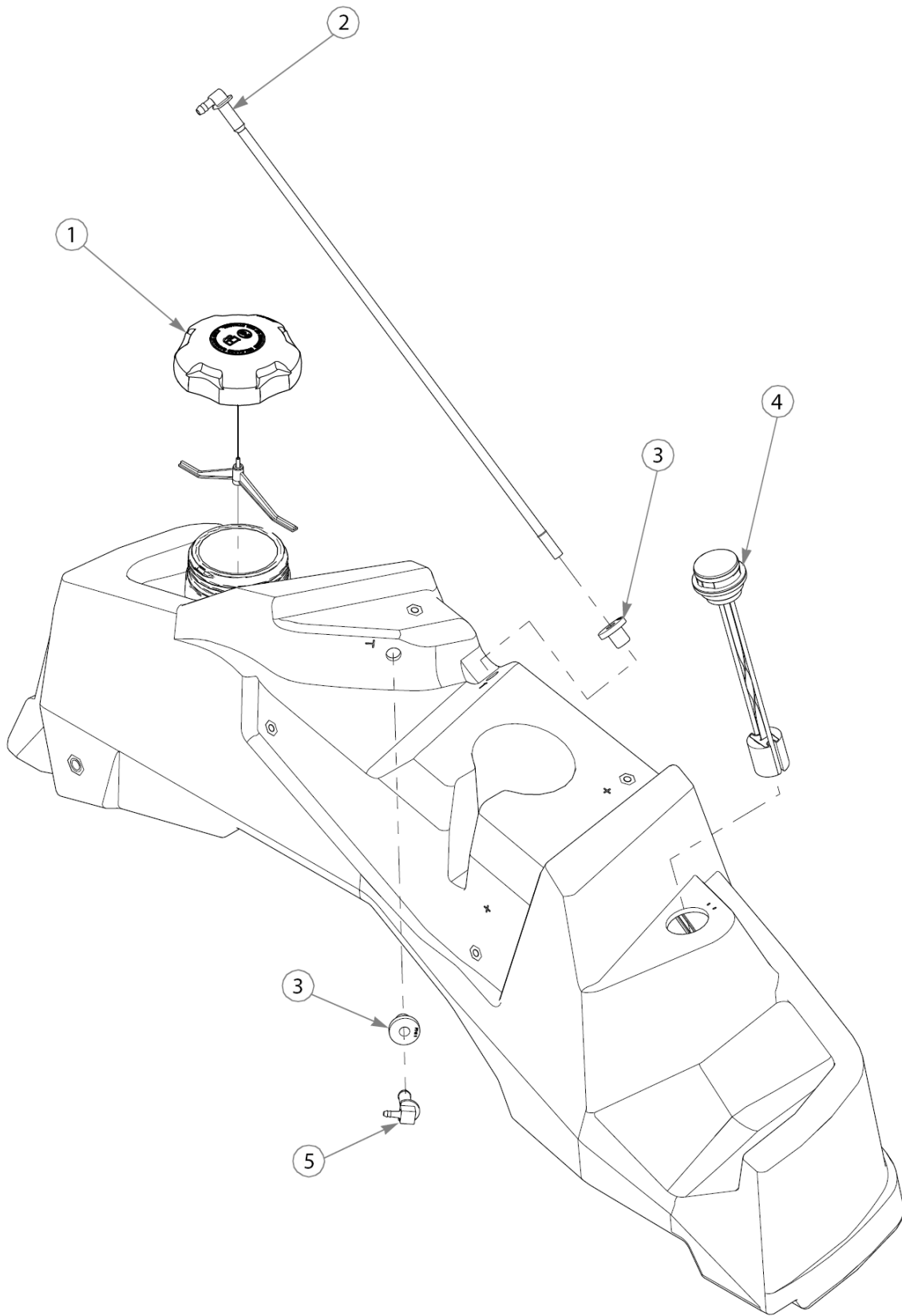
| Item | Part No. | Qty | Name |
|------|----------|-----|---------------------------|
| 1 | 036244 | 4 | CS .375-16X1.00 HX G5 ZN |
| 2 | 712919 | 12 | FW 0.406X1.00X.12 HD ZN |
| 3 | 129057-1 | 1 | FUEL BRIDGE |
| 4 | 604515 | 4 | NT .375-16 FL NY GF |
| 5 | 608682 | 1 | FUEL TANK ASSY, RIGHT |
| 6 | 604323 | 1 | VAPOR SYSTEM FILTER |
| 7 | 603326P | 1 | VAPOR LINE, 3/16" - 7 FT |
| 8 | 604281 | 2 | TEE, 3/16" PLASTIC |
| 9 | 000331 | 3 | WIRE TIE, SMALL/SHORT |
| 10 | 608681 | 1 | FUEL TANK ASSY, LEFT |
| 11 | 000323 | 4 | CLIP, HOSE CLAMP |
| 12 | 015818P | 1 | FUEL LINE, 1/4" - 6 FT |
| 13 | 043570 | 1 | CLIP - HOSE - SINGLE(FS) |
| 14 | 016832 | 1 | NT .312-18FLKG5 |
| 15 | 745059 | 1 | FUEL VALVE 3-WAY |
| 16 | 079210 | 1 | FW 0.344X1.0X0.06 ZN |
| 17 | 036236 | 1 | CS .312-18X1.000HXG5 |
| 18 | 055822 | 10 | CS .375-16X0.75 HX G5 ZN |
| 19 | 767954 | 2 | FW 0.379X.82X.06 HD ZN |
| 20 | 033001P | 1 | FLEX TRIM UNI-GRIP - 3 FT |
| 21 | 128980-6 | 1 | FENDER WA |

Comments for Page: Fuel System

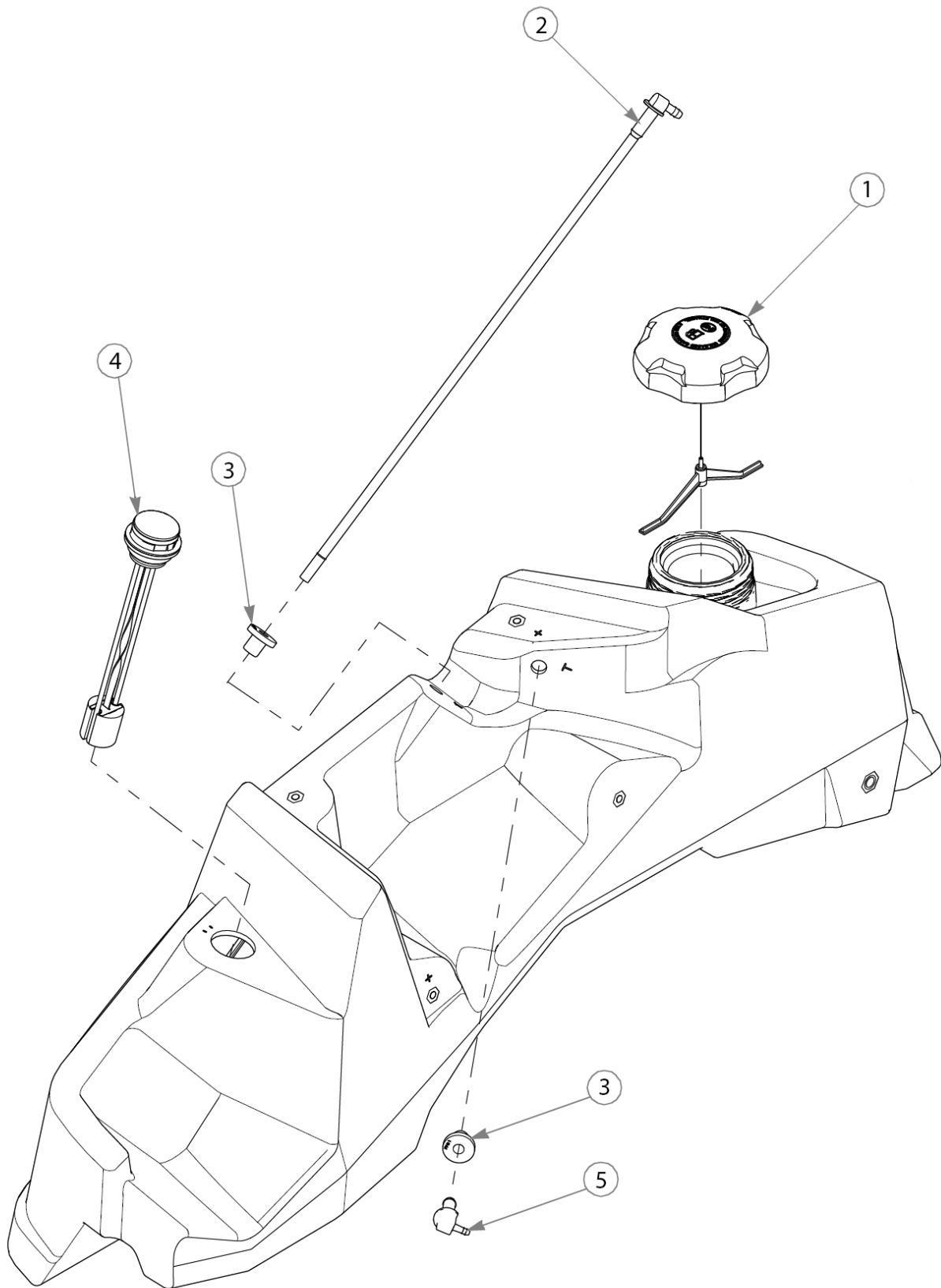
1. Torque to 16 ft-lbs.

FUEL, VAPOR, AND TRIM LENGTHS

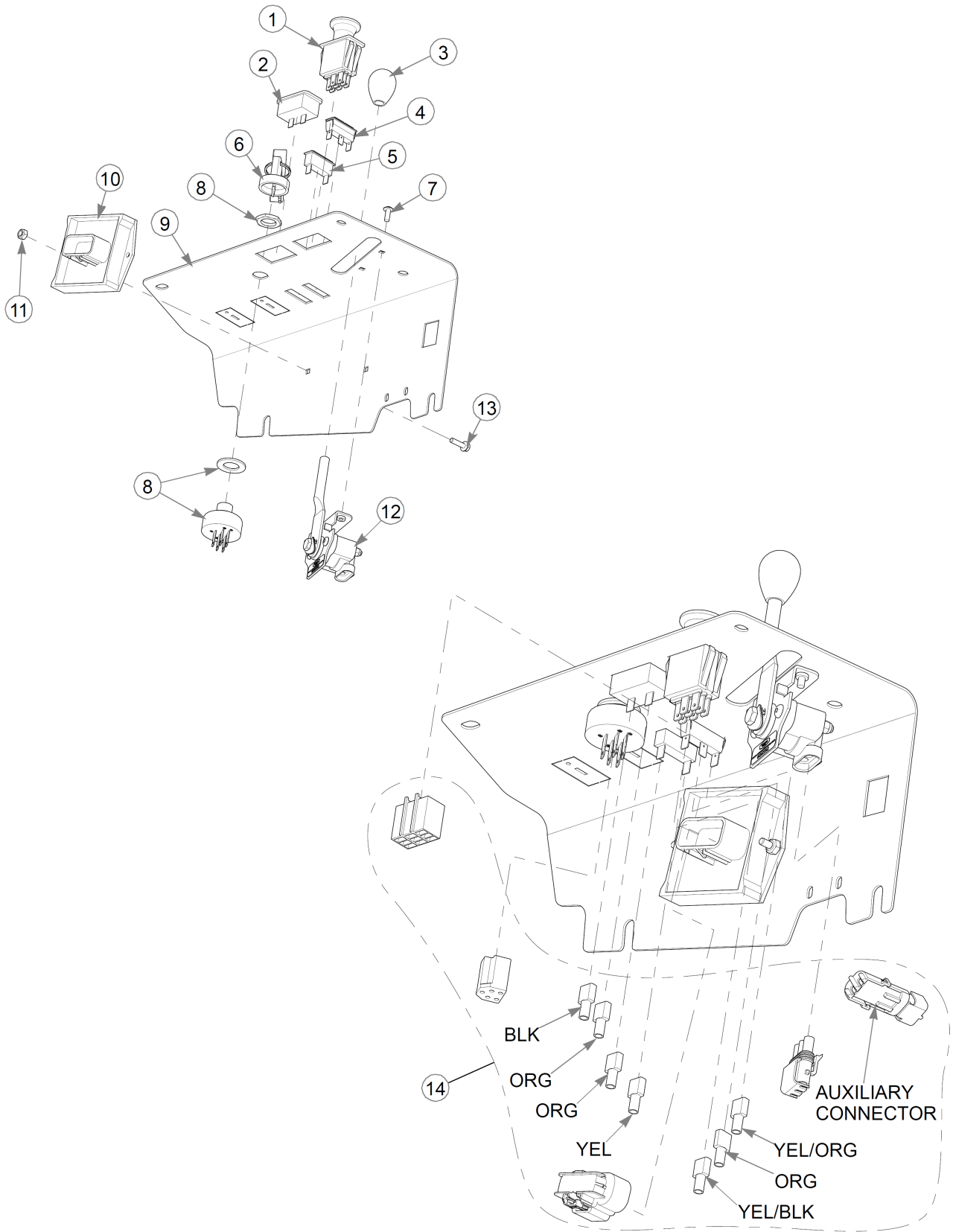
- A. 34" LEFT TANK TO TEE (VAPOR)
- B. 4" TEE TO TEE (VAPOR)
- C. 15" RIGHT TANK TO TEE (VAPOR)
- D. 10" TEE TO FILTER (VAPOR)
- E. 38" LEFT TANK TO VALVE (FUEL)
- F. 22" RIGHT TANK TO VALVE (FUEL)
- G. 4" FLEXIBLE TRIM
- H. 6.5" FLEXIBLE TRIM
- J. 6.5" FLEXIBLE TRIM



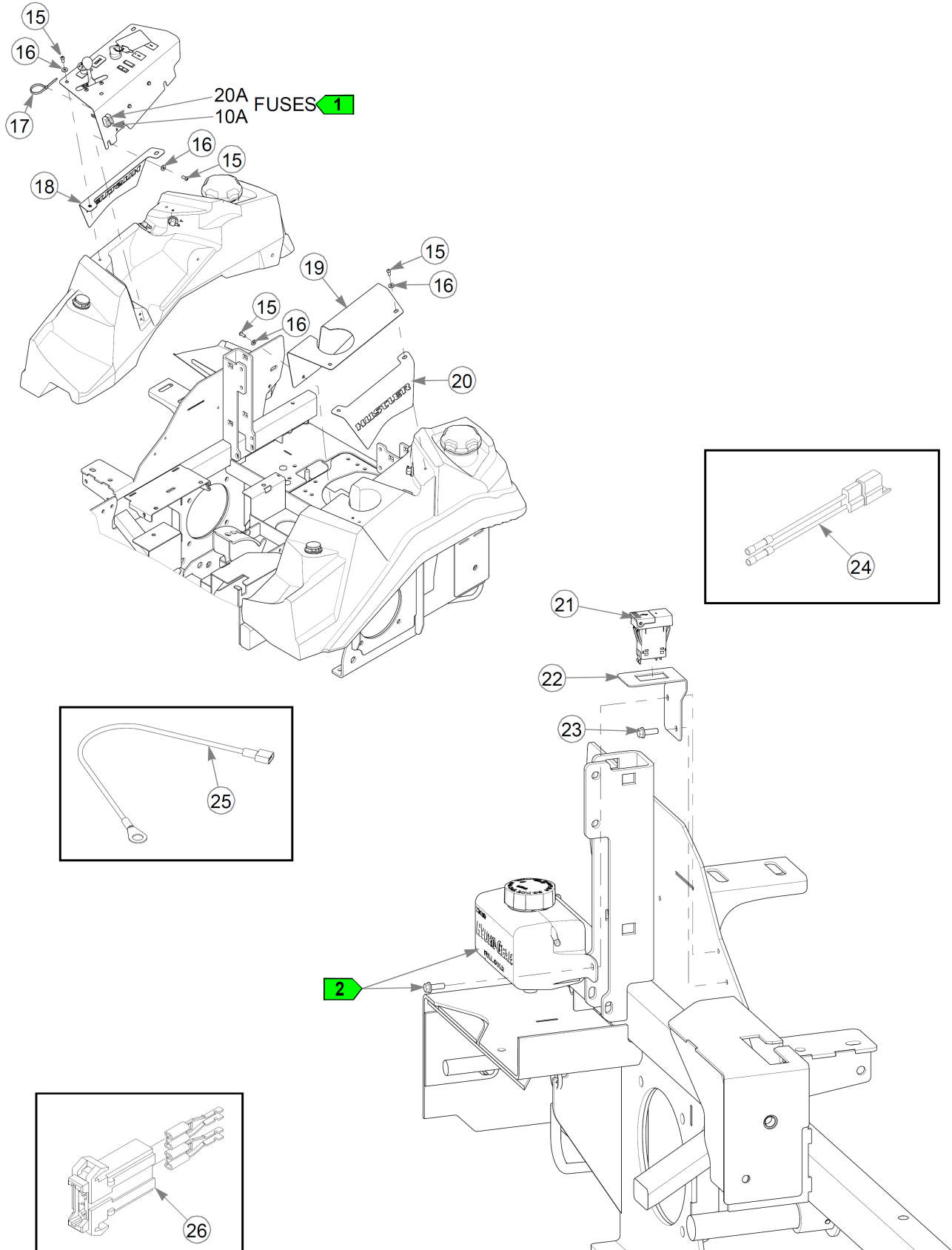
| Item | Part No. | Qty | Name |
|------|----------|-----|----------------------|
| | 608681 | | FUEL TANK ASSY, LEFT |
| 1 | 608995 | 1 | CAP - RATCHET 350 |
| 2 | 607149K | 1 | SUCTION HOSE SVC KIT |
| 3 | 604200K | 2 | GROMMET SVC KIT |
| 4 | 608497K | 1 | SVC KIT, FUEL GAUGE |
| 5 | 604287K | 1 | VENT FITTING SVC KIT |



| Item | Part No. | Qty | Name |
|------|----------|-----|-----------------------|
| | 608682 | | FUEL TANK ASSY, RIGHT |
| 1 | 608995 | 1 | CAP - RATCHET 350 |
| 2 | 607149K | 1 | SUCTION HOSE SVC KIT |
| 3 | 604200K | 2 | GROMMET SVC KIT |
| 4 | 608497K | 1 | SVC KIT, FUEL GAUGE |
| 5 | 604287K | 1 | VENT FITTING SVC KIT |



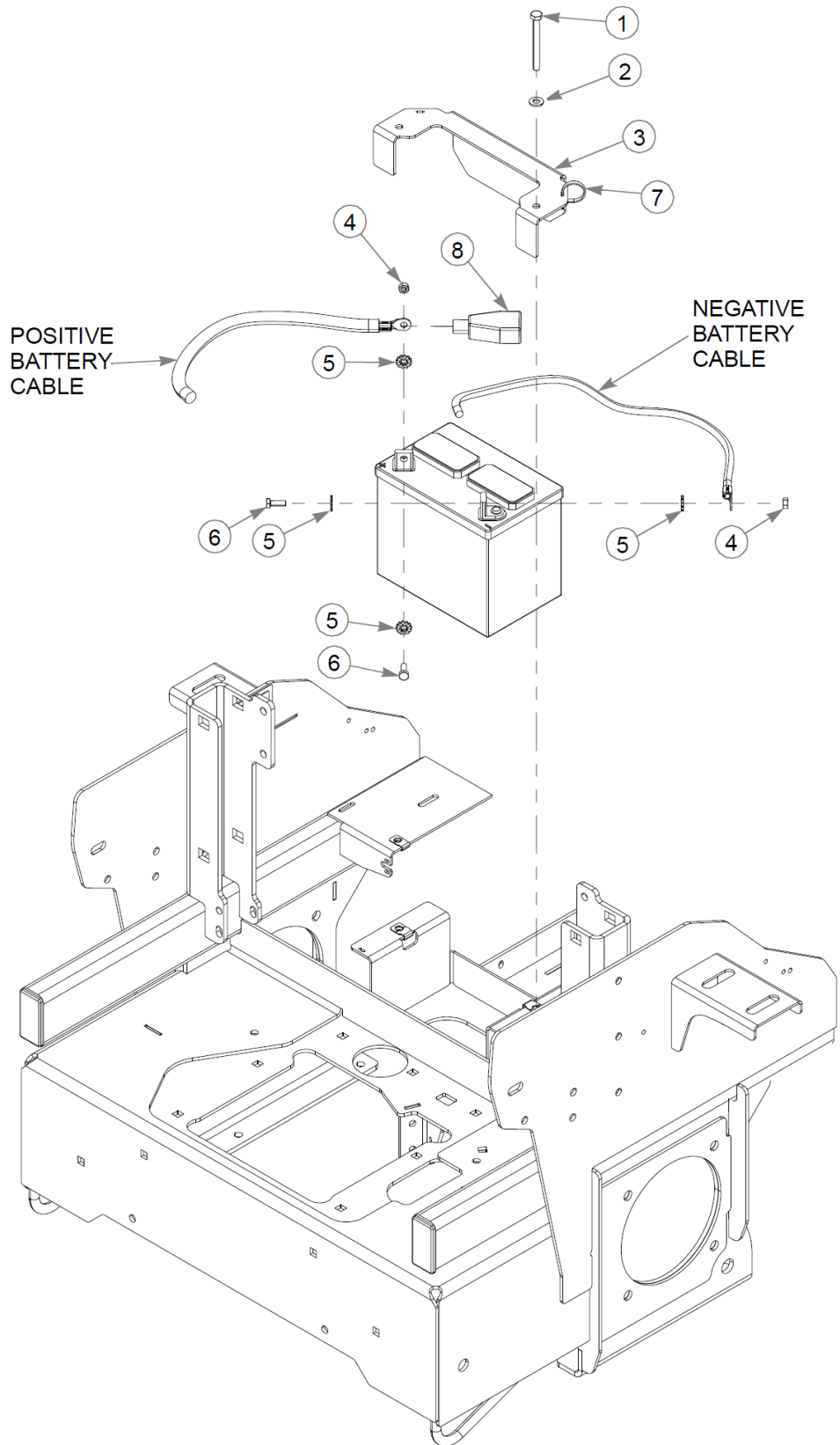
This page intentionally left blank



| Item | Part No. | Qty | Name |
|------|----------|-----|--------------------------|
| 1 | 776476 | 1 | SWITCH, PTO 6201-321 |
| 2 | 769166 | 1 | HOUR METER |
| 3 | 603523 | 1 | KNOB |
| 4 | 608393 | 1 | LIGHT, RED/AMBER |
| 5 | 712257 | 1 | INDICATOR LIGHT, RED(FS) |
| 6 | 785808 | 1 | KEY ASSEMBLY |
| 7 | 606851 | 2 | CS 10-24X .500 PH SH ZN |
| 8 | 045898 | 1 | IGNITION SWITCH |
| 9 | 129050-1 | 1 | INST PANEL |
| 10 | 604373 | 1 | RELAY CONTROL MODULE |
| 11 | 059832 | 2 | NT #10-24 HX NL ZN |
| 12 | 606592 | 1 | THROTTLE CONTROL, EFI |
| 13 | 063198 | 2 | CS #10-24X0.750FLKG5 |
| 14 | 608609 | 1 | WIRE HARNESS, SZ |
| 15 | 608598 | 8 | CS .250-20 X .625 BH TX |
| 16 | 605628 | 8 | FW 0.281X.63X.07 ZB |
| 17 | 000430 | 7 | WIRE TIE, SMALL/LONG |
| 18 | 128427-1 | 1 | PANEL, LOGO - RH |
| 19 | 128425-1 | 1 | COVER, CUP HOLDER |
| 20 | 128426-1 | 1 | PANEL, LOGO - LH |
| 21 | 609264 | 1 | USB PORT SINGLE CHARGE |
| 22 | 129251-1 | 1 | USB BRACKET |
| 23 | 604324 | 1 | CS .250-20 X .75 HX FLG |
| 24 | 114052 | 1 | KIT, CLUTCH CONN. REP. |
| 25 | 604430 | 1 | WIRE HARNESS |
| 26 | 601047 | 1 | HOLDER, FUSE |

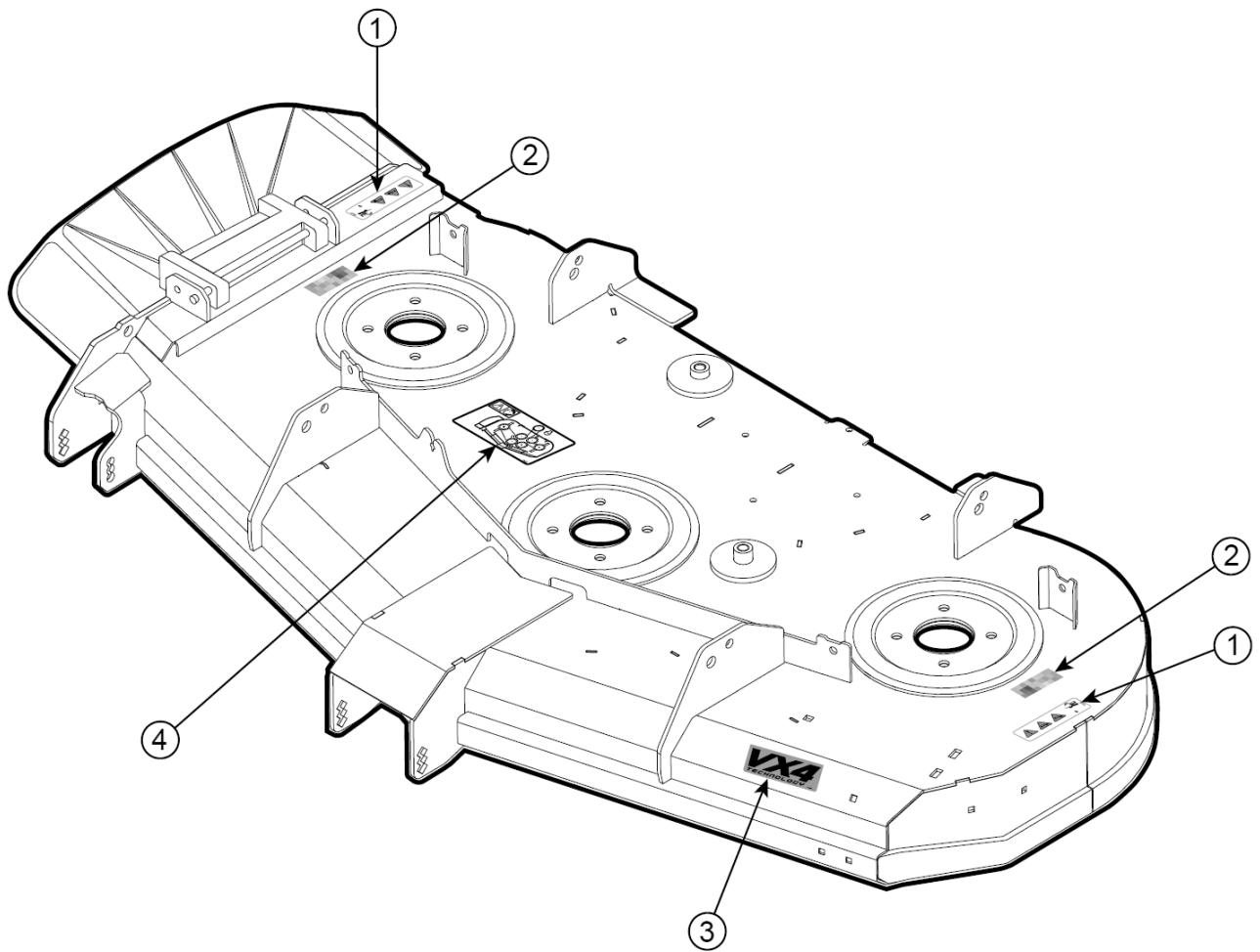
Comments for Page: Instrument Panel (Multi-Page)

1. Part of the wire harness.
2. Part of the Hydro Install.

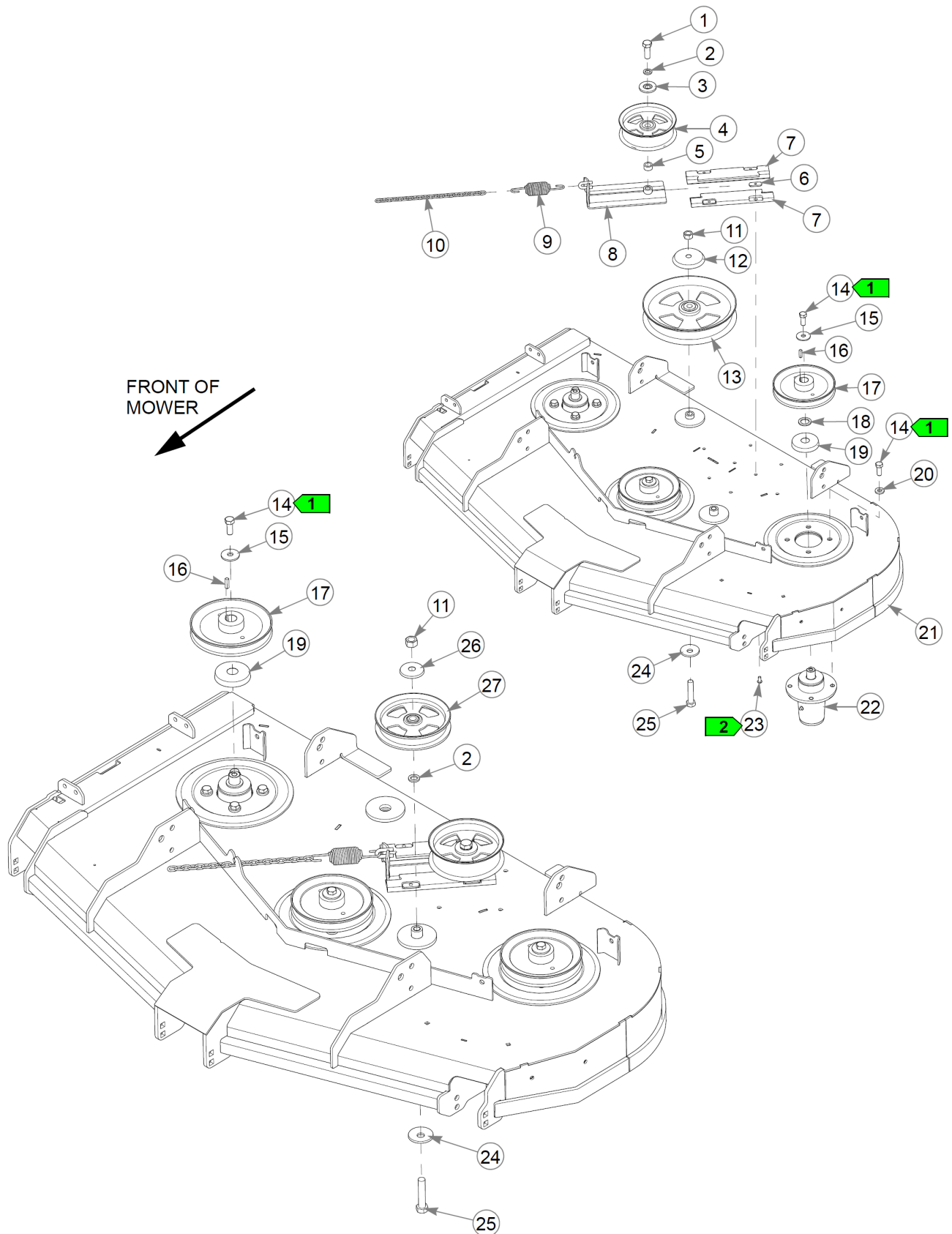


Battery

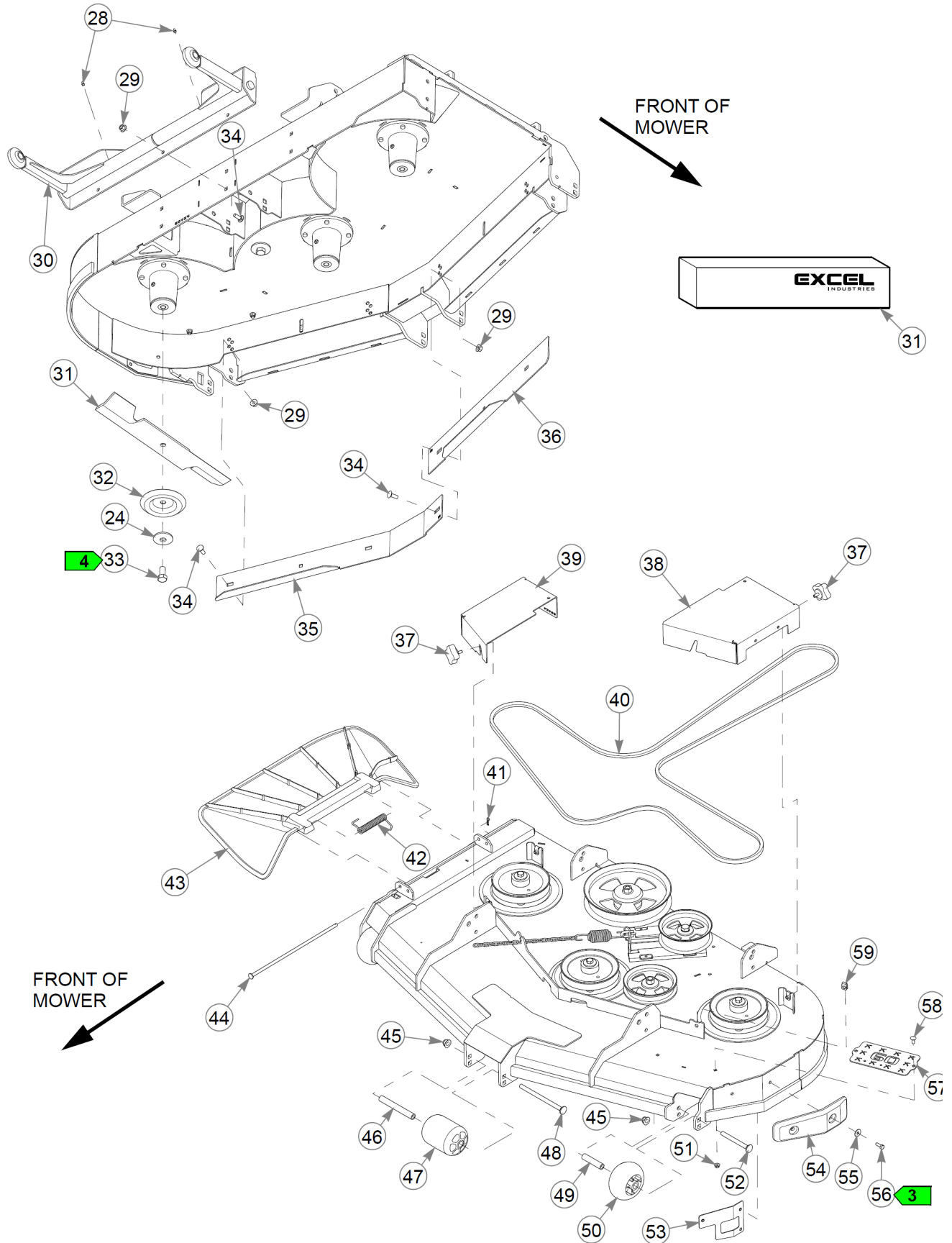
| Item | Part No. | Qty | Name |
|------|----------|-----|--------------------------|
| 1 | 043067 | 2 | CS .312-18X3.000HXG5 |
| 2 | 768523 | 2 | FW 0.343SAE |
| 3 | 129563-6 | 1 | BATTERY STRAP, U1 |
| 4 | 024927 | 2 | NT .250-20HXG5 |
| 5 | 029868 | 4 | LW .250 INTEXT ZN |
| 6 | 055939 | 2 | CS .250-20X0.75 HX G5 ZN |
| 7 | 000331 | 2 | WIRE TIE, SMALL/SHORT |
| 8 | 771428 | 1 | BATTERY CBL BOOT-RED(FS) |



| Item | Part No. | Qty | Name |
|------|------------|-----|------------------|
| 1 | 777S41388B | 2 | LBL:PRO DECK |
| 2 | 777S35693A | 2 | LBL:WARNING DECK |
| 3 | 777D37361 | 1 | LBL:DECK:VX4 |
| 4 | 777I29867 | 1 | LBL:COMM |



This page intentionally left blank



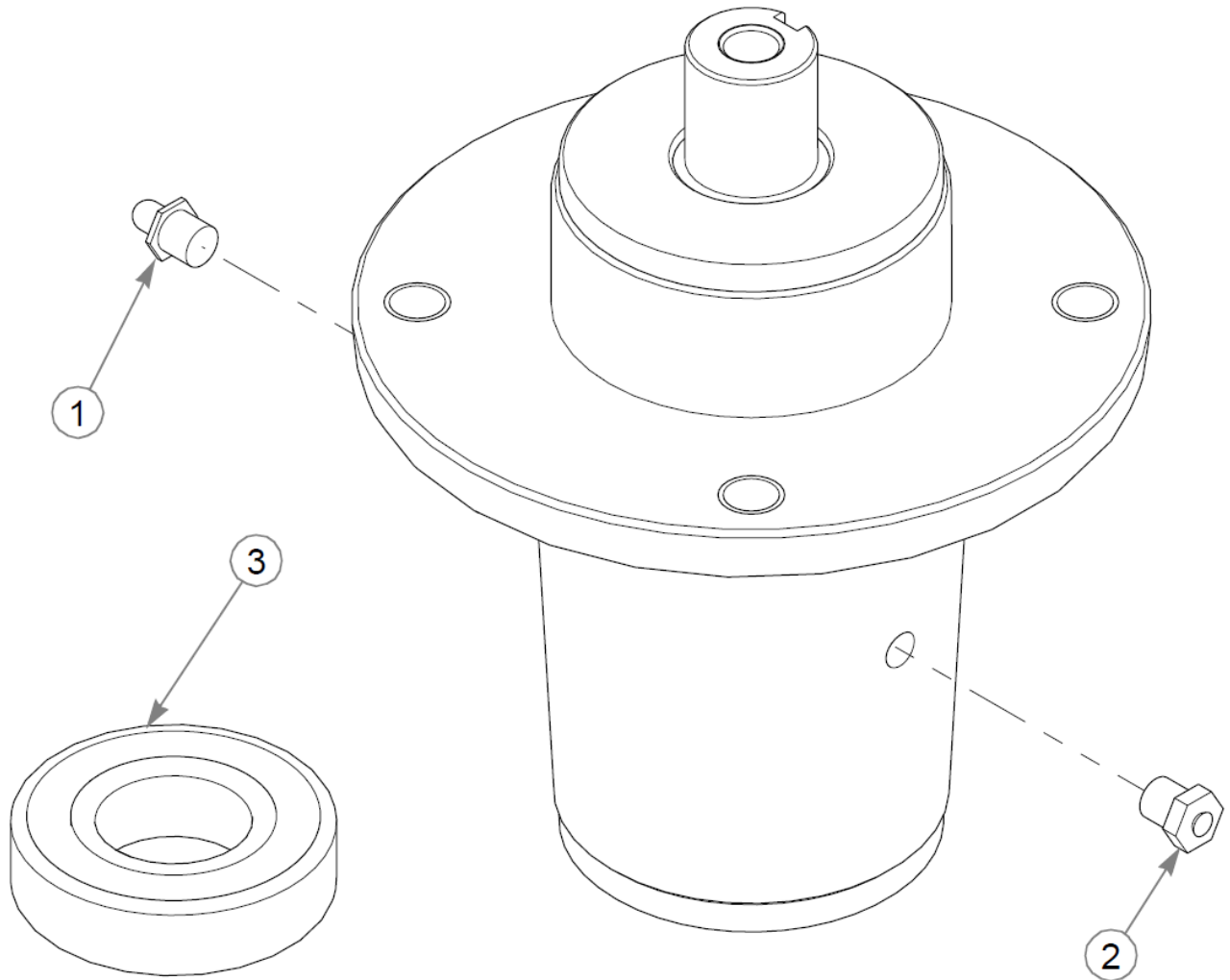
| Item | Part No. | Qty | Name |
|------|----------|-----|--------------------------|
| 1 | 025007 | 1 | CS .62511X1.750HXG5 |
| 2 | 028118 | 2 | FW 0.625X1.00X.13 ZN |
| 3 | 603057 | 1 | DUST SHIELD W/OFFSET |
| 4 | 607448 | 1 | IDLER, 6" TALL |
| 5 | 603256 | 1 | SPACER DECK IDLER 1/2"LG |
| 6 | 603023 | 4 | WN .312-18 ZN |
| 7 | 602936 | 2 | IDLER SLIDE, UHMW |
| 8 | 350884 | 1 | SLIDE, DECK IDLER |
| 9 | 781302 | 1 | IDLER SPRING |
| 10 | 373191 | 1 | CHAIN, 21 LINK |
| 11 | 016972 | 2 | NT .625-11 HX G5 ZN |
| 12 | 602963 | 1 | DUST SHIELD, IDLER LG |
| 13 | 602743 | 1 | IDLER, 10.0" COMMERCIAL |
| 14 | 705954 | 15 | CS .500-13X1.25 HX G5 ZN |
| 15 | 752386 | 3 | CW .505 X 1.625 X .140 |
| 16 | 212472 | 3 | KEY 1/4 SQ X 1.00 LG(FS) |
| 17 | 602745 | 3 | PULLEY, DRIVE 7.00 EFF |
| 18 | 045765 | 3 | FW 1.030X1.50X.13 HD ZN |
| 19 | 607409-4 | 3 | DUST SHIELD |
| 20 | 767962 | 12 | FW .531 x 1.063 x .175 |
| 21 | 127991-1 | 1 | Deck |
| 22 | 607407 | 3 | SPINDLE ASSY, DUCTILE |
| 23 | 603022 | 4 | CS .312-18X.625 BH ZN |
| 24 | 782474 | 5 | CW .678 X 2.250 X .187 |
| 25 | 783738 | 2 | CS .625-11X3.000HXG5 |
| 26 | 608144 | 1 | SHIELD, DUST |
| 27 | 602821 | 1 | IDLER, 6.0" COMMERCIAL |
| 28 | 015495 | 2 | GREASE FITTING STRAIGHT |
| 29 | 604515 | 12 | NT .375-16 FL NY GF |
| 30 | 608901 | 1 | PUSHER, W/A X1 |
| 31 | 602771 | 3 | BLADE, F20.50" EHN-F-CW |
| | 794685 | 3 | BLADE, F20.50"-H-F-CW |
| | 793794 | 3 | BLADE,20.50"-L-F-CW |
| | 794214 | 3 | BLADE,20.50"-MUL-F-CW |
| | 794230 | 3 | BLADE,20.50"GAT-F-CW |

This page intentionally left blank

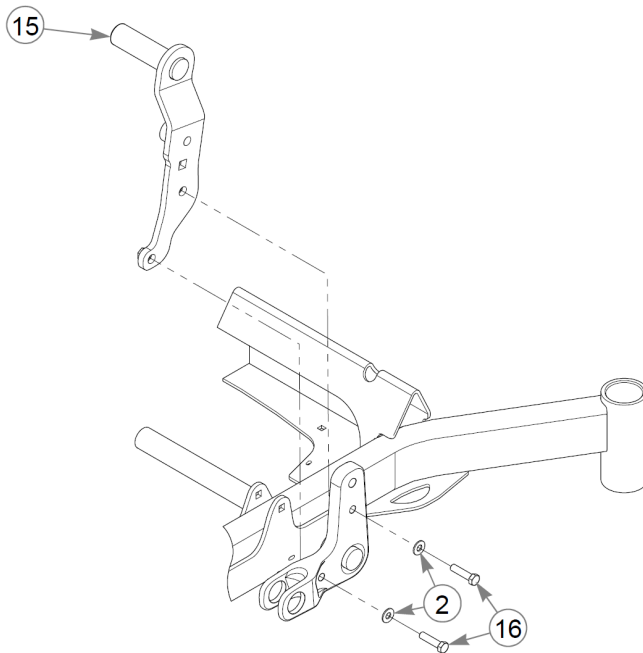
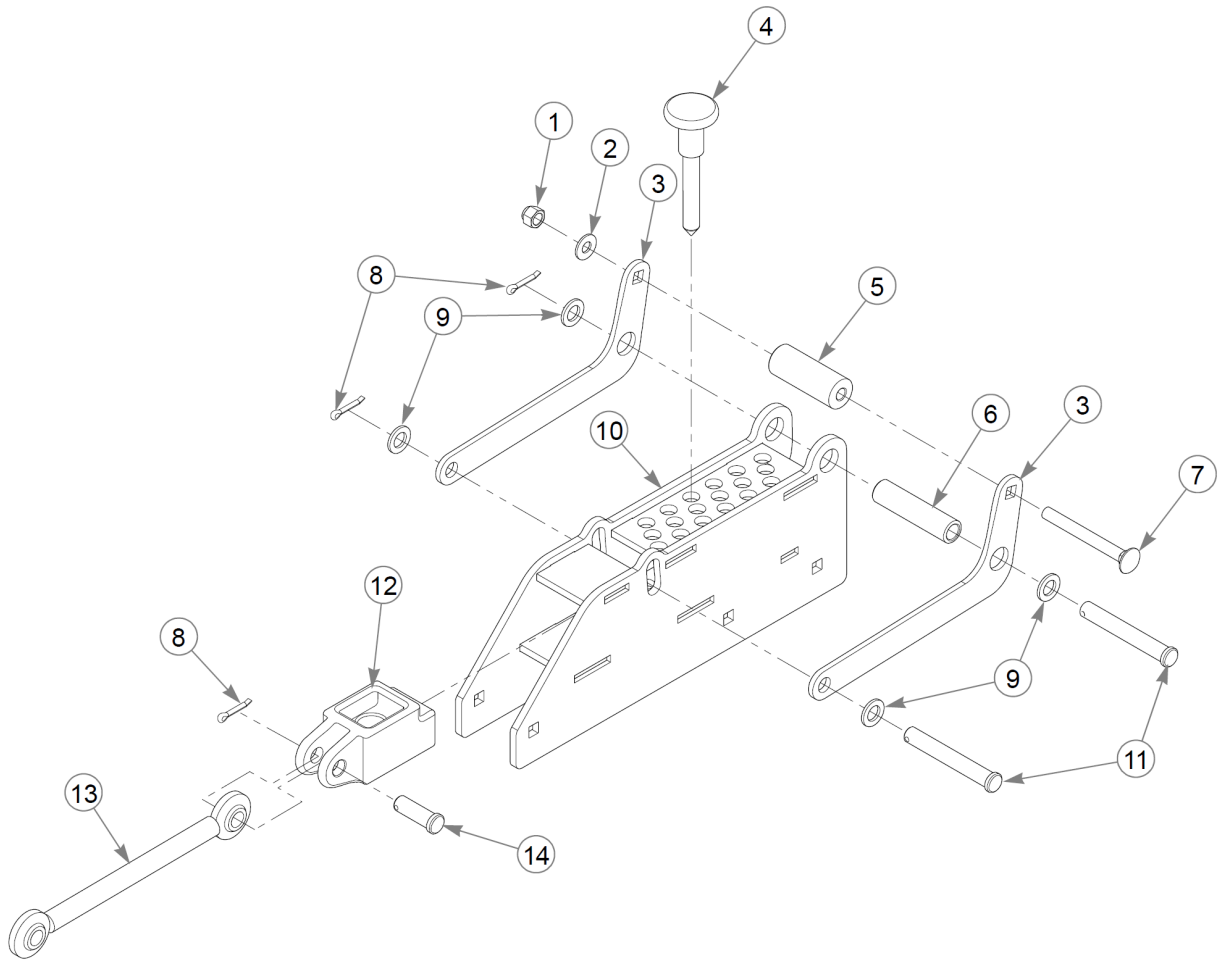
| Item | Part No. | Qty | Name |
|------|----------|-----|--------------------------|
| 32 | 114988 | 3 | SHIELD, BLADE BOLT |
| 33 | 781872 | 3 | CS .625-11X1.250HXG5 |
| 34 | 025395 | 12 | CB .375-16X 1.00 G5 ZN |
| 35 | 123961-1 | 1 | ADJ BAFFLE LS 60" VX4 |
| 36 | 123960-1 | 1 | ADJ BAFFLE RS 60" VX4 |
| 37 | 792002 | 4 | KNOB,5/16-18 X 3/4"MALE |
| 38 | 128001-6 | 1 | PULLEY COVER, LS |
| 39 | 128000-6 | 1 | PULLEY COVER, RS |
| 40 | 606874 | 1 | DECK BELT |
| 41 | 706549 | 1 | HP0.080X1.190 |
| 42 | 602435 | 1 | SPRING, TORSION |
| 43 | 602891 | 1 | CHUTE, DISCHARGE LG |
| 44 | 608776-4 | 1 | PIVOT PIN, DISCHARGE |
| 45 | 608880 | 3 | NT .50-13 FL NY |
| 46 | 602344 | 1 | SPACER, ANTI- SCALP 5.73 |
| 47 | 602341 | 1 | WHEEL, ANTI-SCALP |
| 48 | 602338 | 1 | CB .50-13 X 7.50 STD ZN |
| 49 | 602345 | 2 | SPACER, ANTI-SCALP 3.22 |
| 50 | 602263 | 2 | WHEEL, ANTI-SCALP |
| 51 | 608059 | 2 | NT .312-18 FL NY G5 |
| 52 | 607288 | 2 | CB .50-13X4.75 STD ZN |
| 53 | 113563 | 1 | BACKING PLATE W/A |
| 54 | 602817 | 1 | RUBBER BUMPER |
| 55 | 079210 | 2 | FW 0.344X1.0X0.06 ZN |
| 56 | 064014 | 2 | CS .312-18X0.875HXG5 |
| 57 | 128506-6 | 1 | STEP TREAD, 60" |
| 58 | 608953 | 2 | CB 0.312-18 X 0.750 G5 |
| 59 | 601069 | 4 | CN .312-18x.200 MAX THK |

Comments for Page: Deck, Pulleys, Spindles, Deck Belt & Blades (Multi-Page)

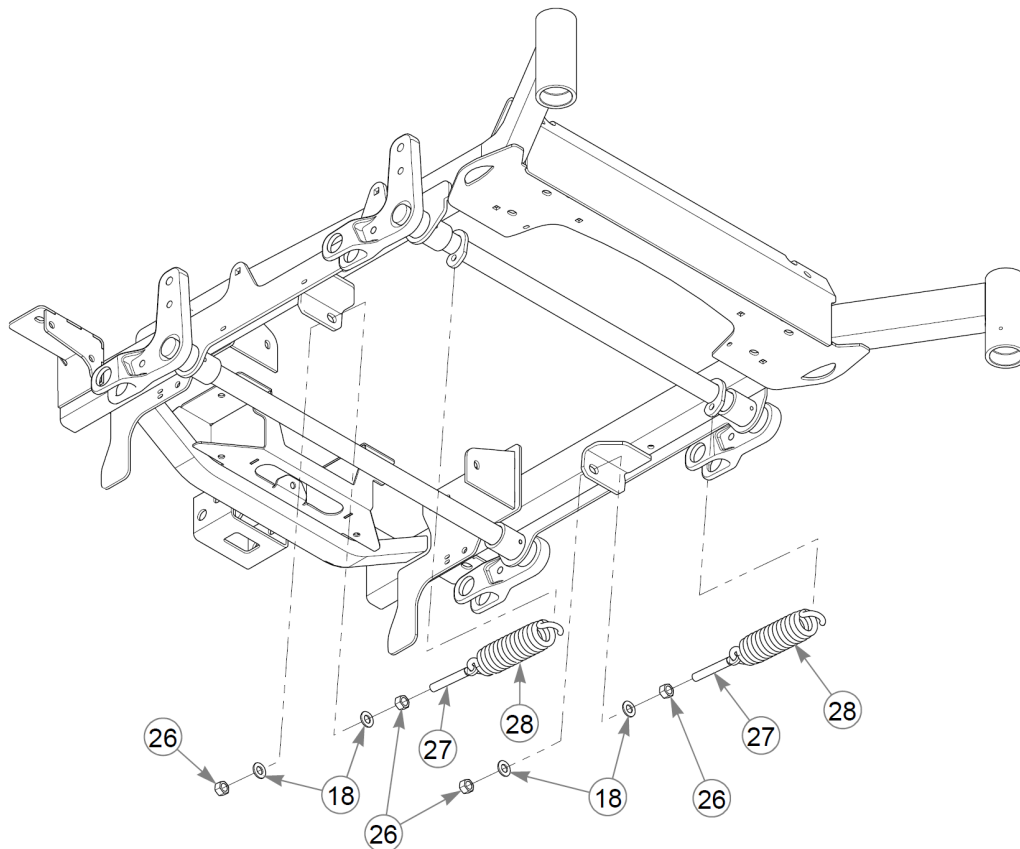
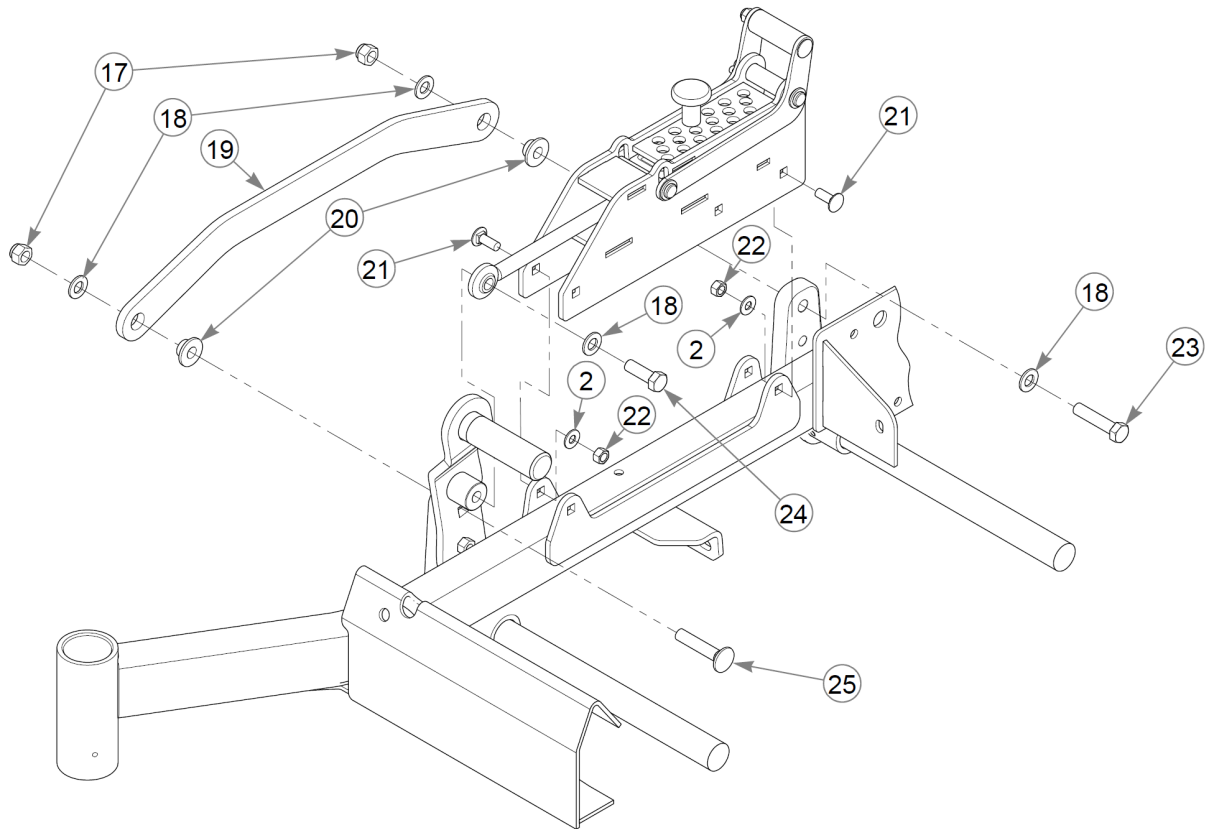
1. Torque to 63–73 ft-lbs.
2. Torque to 3–6 ft-lbs.
3. Torque to 10 ft-lbs.
4. Torque to 118 ft-lbs.



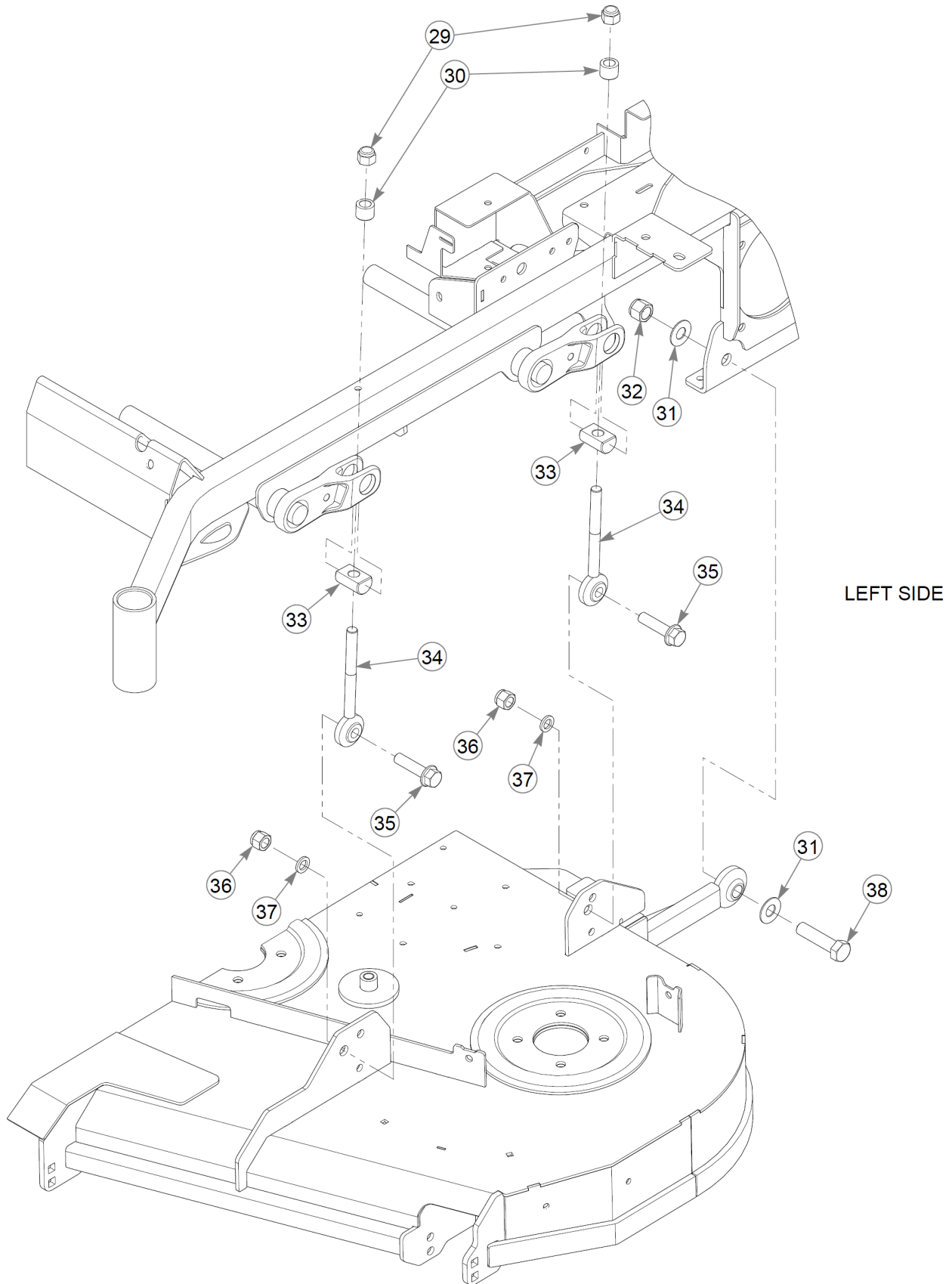
| Item | Part No. | Qty | Name |
|------|----------|-----|-----------------------|
| | 607407 | 1 | SPINDLE ASSY, DUCTILE |
| 1 | 607477 | 1 | GREASE ZERK |
| 2 | 607478 | 1 | RELIEF FITTING |
| 3 | 607955 | 2 | BEARING |



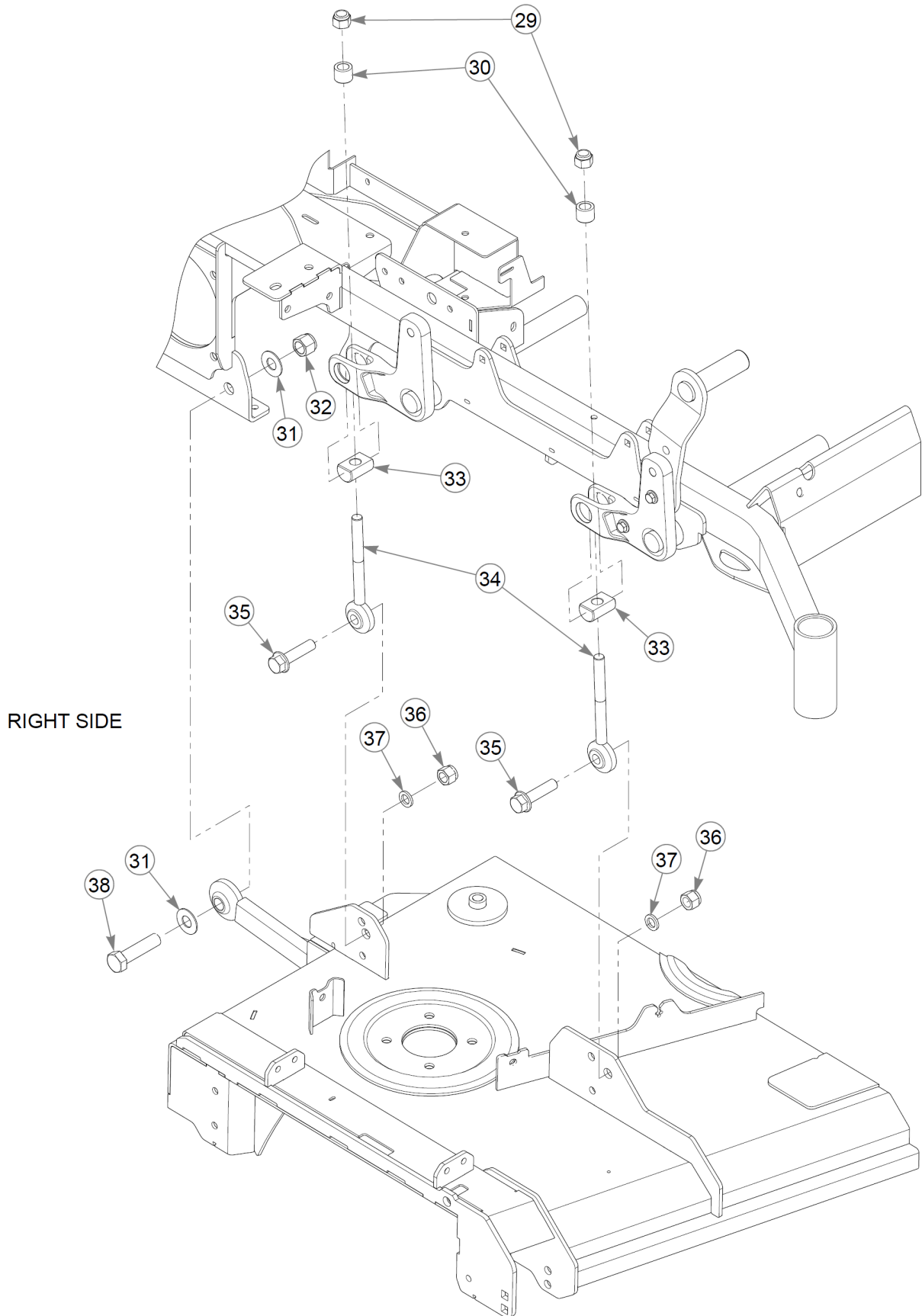
This page intentionally left blank



This page intentionally left blank



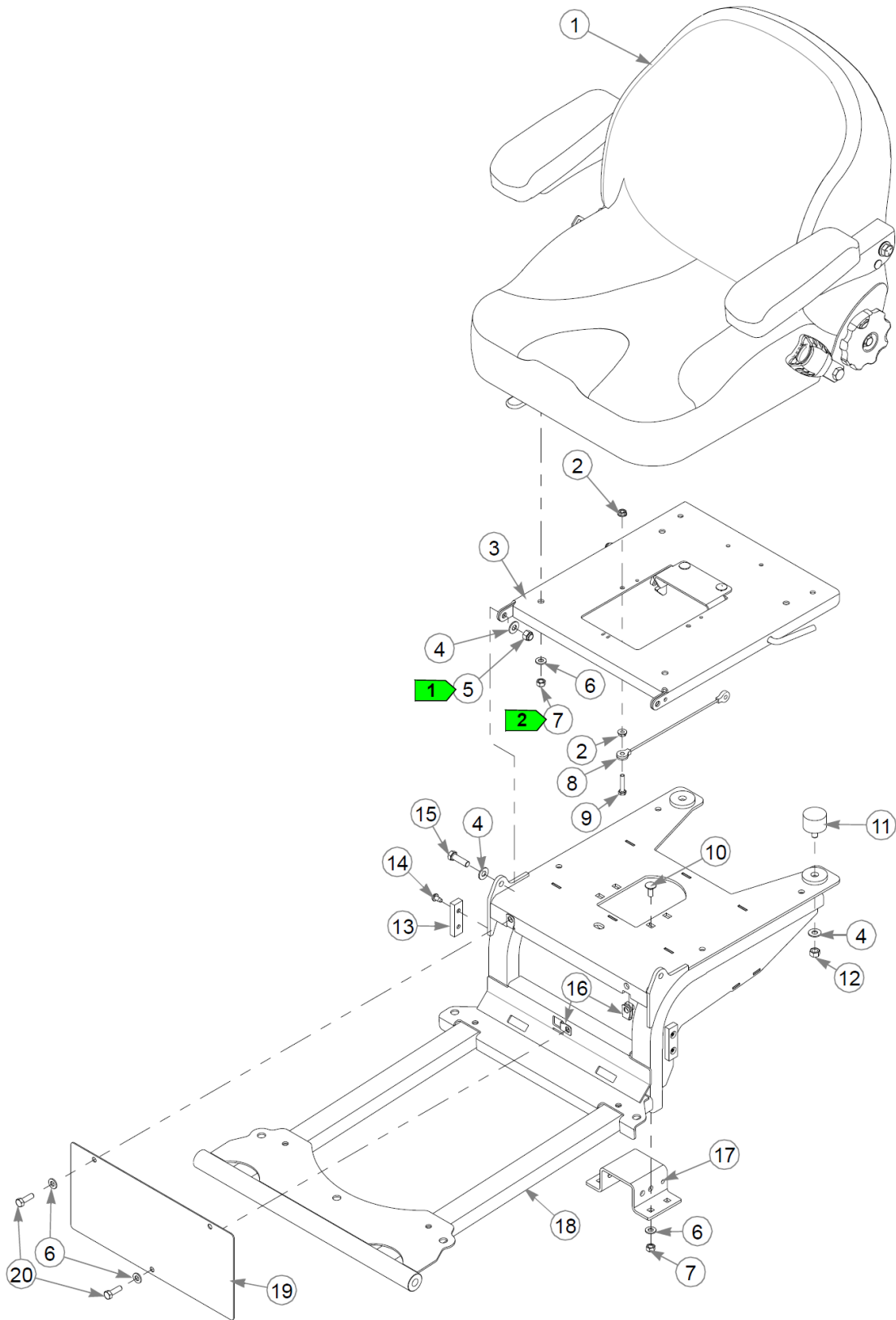
This page intentionally left blank



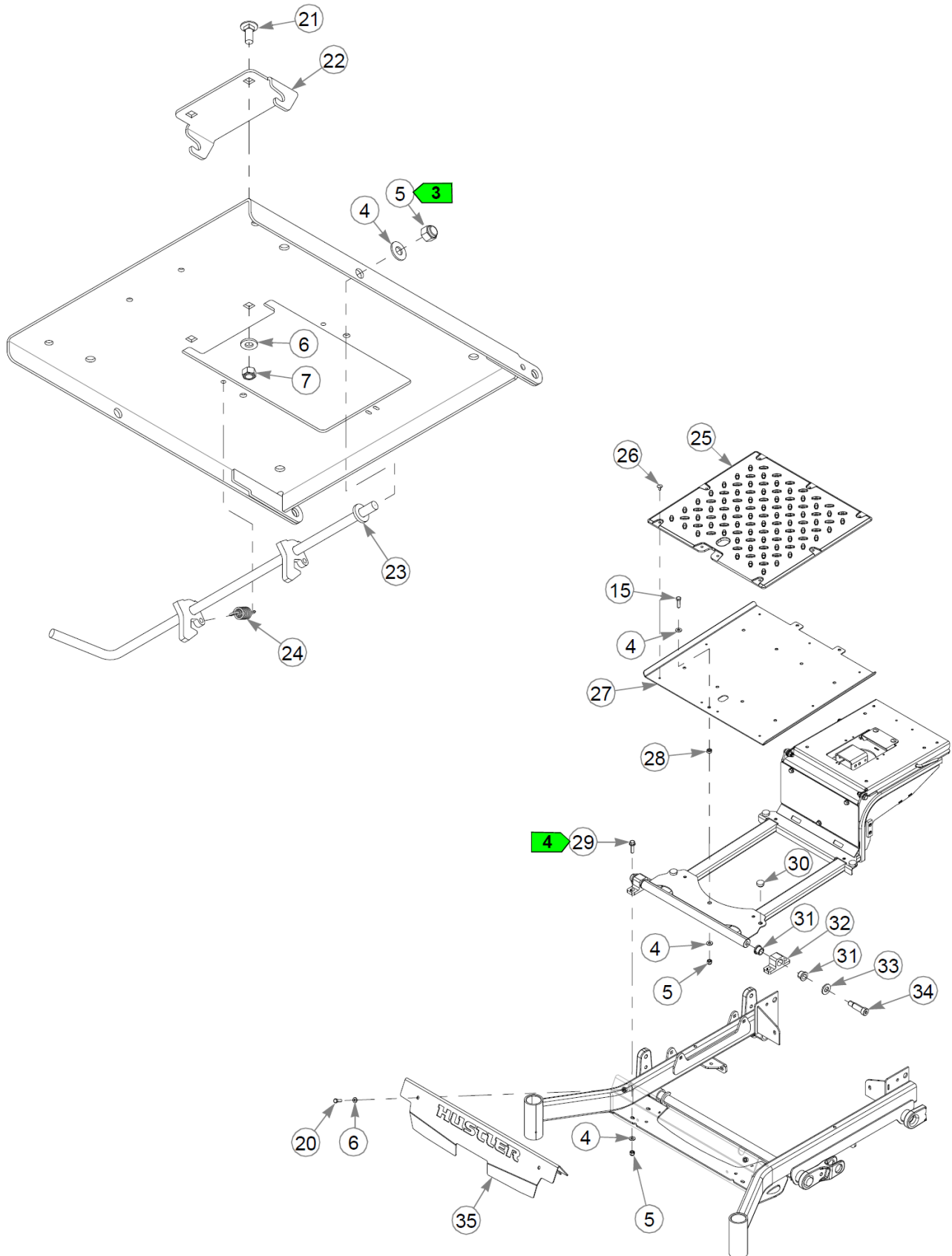
| Item | Part No. | Qty | Name |
|------|----------|-----|--------------------------|
| 1 | 086660 | 1 | NT .375-16NLG8 |
| 2 | 767954 | 7 | FW 0.379X.82X.06 HD ZN |
| 3 | 124361-4 | 2 | LATCH HANDLE |
| 4 | 606918 | 1 | MAGNETIC PIN, 1/2 x 3.13 |
| 5 | 117489 | 1 | SPACER, LATCH |
| 6 | 604075 | 1 | SPACER, CYLINDER |
| 7 | 041848 | 1 | CB .375-16X 3.500 FUL Z |
| 8 | 017251 | 3 | CP .156DX1.000 LG HML Z |
| 9 | 718288 | 4 | FW .516X.88X.09 ZN |
| 10 | 124357-1 | 1 | DECK HEIGHT W/A |
| 11 | 025965 | 2 | CE .500X3.50 .156X3.34 |
| 12 | 606895 | 1 | SLIDER, DECK LIFT |
| 13 | 122994 | 1 | DECK HEIGHT LINK, W/A |
| 14 | 068056 | 1 | CE .500X1.50 .150X1.32 |
| 15 | 124147-1 | 1 | PEDAL WA, DECK LIFT |
| 16 | 080655 | 2 | CS .375-16X1.500HXG5 |
| 17 | 781567 | 2 | NT .500-13NLG5 |
| 18 | 004168 | 8 | FW .531x1.00x.090 ZN |
| 19 | 128313-4 | 1 | LINK, DECK CRANK - SZ |
| 20 | 608319 | 2 | BUSHING |
| 21 | 025395 | 4 | CB .375-16X 1.00 G5 ZN |
| 22 | 054502 | 4 | NT .375-16HXG5 |
| 23 | 761544 | 1 | CS .500-13X2.250HXG8 |
| 24 | 074252 | 1 | CS .500-13X1.50 HX G5 ZN |
| 25 | 604254 | 1 | CB .50-13 X 2.50 STD ZN |
| 26 | 008193 | 4 | NT .500-13HXG5 |
| 27 | 606478 | 2 | EB, .500-13X3.00 FULTHD |
| 28 | 606454 | 2 | SPRING, EXT 7.0 300LB/IN |
| 29 | 604232 | 4 | NT .625-18NLKG5 |
| 30 | 603903 | 4 | DECK LEVEL SPACER |
| 31 | 025296 | 4 | FW .760X1.63X0.08 ZN |
| 32 | 061101 | 2 | NT .750-10 HX ZN NL GR B |
| 33 | 603902 | 4 | DECK LEVEL PIVOT |
| 34 | 116732 | 4 | W/A, DECK LEVEL ROD END |
| 35 | 604043 | 4 | CS .625-11x2.500FLGG5 |

This page intentionally left blank

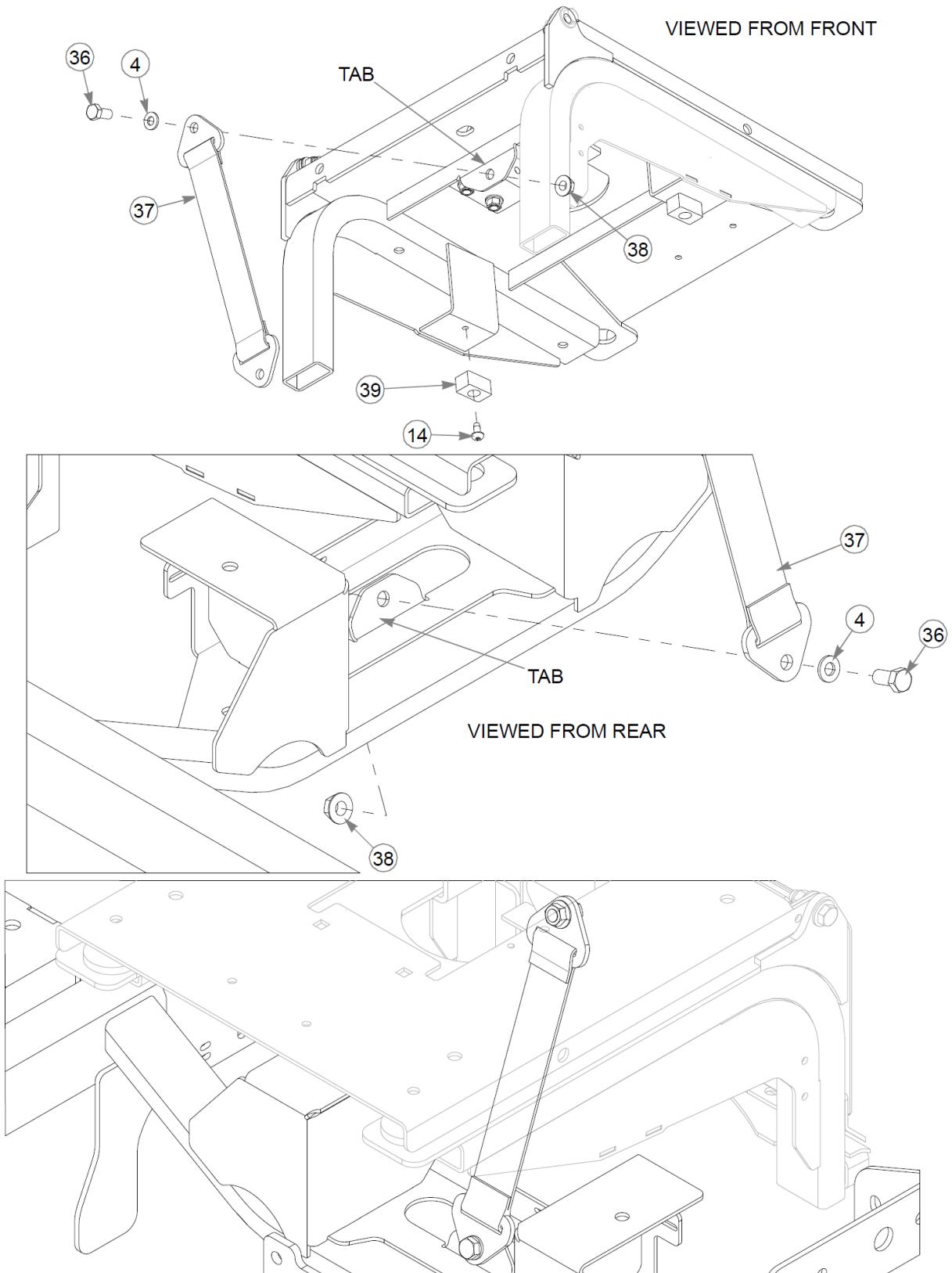
| Item | Part No. | Qty | Name |
|------|----------|-----|----------------------|
| 36 | 058768 | 4 | NT .625-11 HXZN NY |
| 37 | 028118 | 4 | FW 0.625X1.00X.13 ZN |
| 38 | 051169 | 2 | CS .750-10X3.000HXG5 |



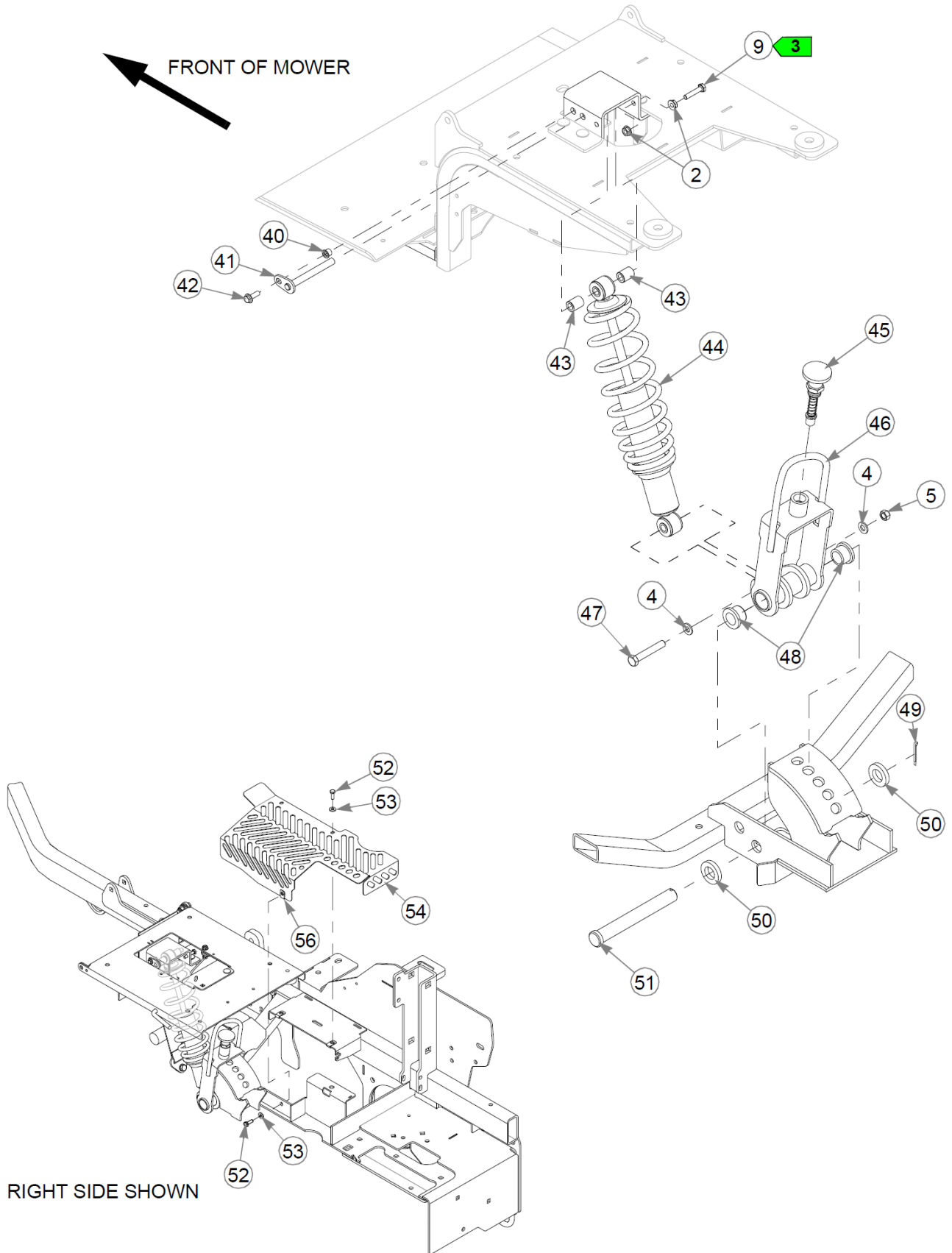
This page intentionally left blank



This page intentionally left blank



This page intentionally left blank



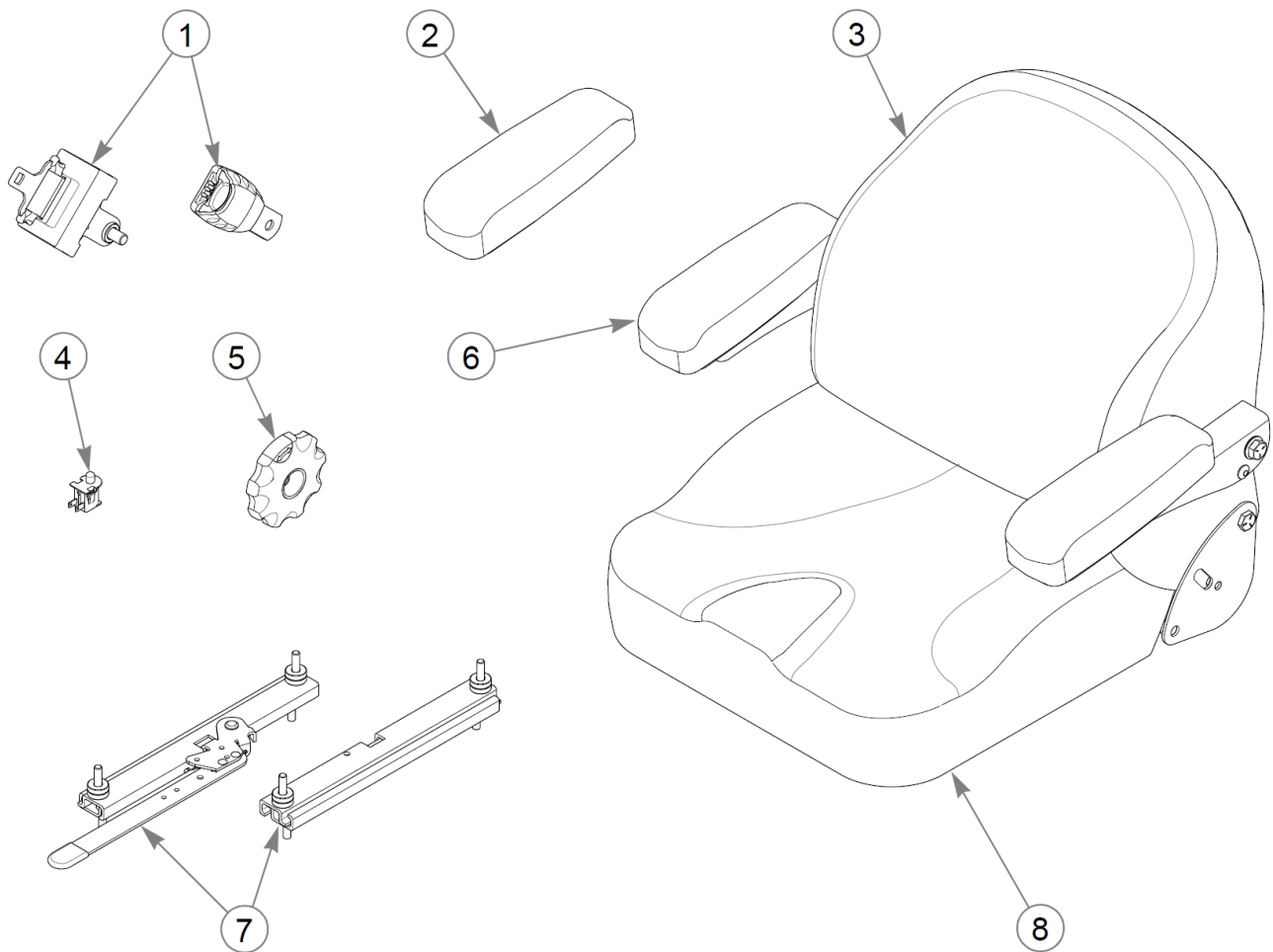
| Item | Part No. | Qty | Name |
|------|------------|-----|--------------------------|
| 1 | 609185 | 1 | SEAT, CI3 SEATS INC |
| 2 | 016816 | 4 | NT .250-20FLKG5 |
| 3 | 129318-6 | 1 | SEAT PAN W/A |
| 4 | 767954 | 17 | FW 0.379X.82X.06 HD ZN |
| 5 | 086660 | 9 | NT .375-16NLG8 |
| 6 | 768523 | 15 | FW 0.343SAE |
| 7 | 058776 | 10 | NT .312-18NLG5 |
| 8 | 609152 | 1 | CABLE, SEAT LIMITER |
| 9 | 704916 | 2 | CS .250-20X1.250HXG5 |
| 10 | 037887 | 4 | CB .312-18X 1.000 FUL ZN |
| 11 | 601650 | 2 | VIBRATION MOUNT 70DURO |
| 12 | 054502 | 2 | NT .375-16HXG5 |
| 13 | 609150 | 2 | BUMPER, PLATFORM |
| 14 | 710-05070A | 6 | SCREW-PAN TORX 1/4 |
| 15 | 052860 | 3 | CS .375-16X1.25 HX G5 ZN |
| 16 | 601069 | 3 | CN .312-18x.200 MAX THK |
| 17 | 129298-6 | 1 | SPRING SADDLE |
| 18 | 129297-6 | 1 | PLATFORM W/A |
| 19 | 129317-6 | 1 | ACCESS COVER |
| 20 | 036236 | 5 | CS .312-18X1.000HXG5 |
| 21 | 016253 | 2 | CB .312-18X .750 FUL ZN |
| 22 | 129320-6 | 1 | SEAT LATCH SUPPORT |
| 23 | 129321-4 | 1 | W/A, SEAT LATCH |
| 24 | 606979 | 1 | SPRING, EXTENSION |
| 25 | 608838 | 1 | FLOOR MAT |
| 26 | 607868 | 9 | PUSH IN RIVET |
| 27 | 129316-1 | 1 | FLOOR PAN |
| 28 | 118900 | 1 | SPACER, DECK LIFT LINK |
| 29 | 605532 | 4 | CS .375-16X1.38 HXFG5ZN |
| 30 | 781880 | 4 | BUMPER, .500x 1.00x .31 |
| 31 | 608000 | 4 | BUSHING |
| 32 | 609243 | 2 | BUSHING HOUSING |
| 33 | 603078 | 2 | FW .750X1.50X.16 ZN |
| 34 | 609151 | 2 | SB 0.75X1.25 SH 0.625-11 |
| 35 | 129325-6 | 1 | COVER, FOOTREST |

This page intentionally left blank

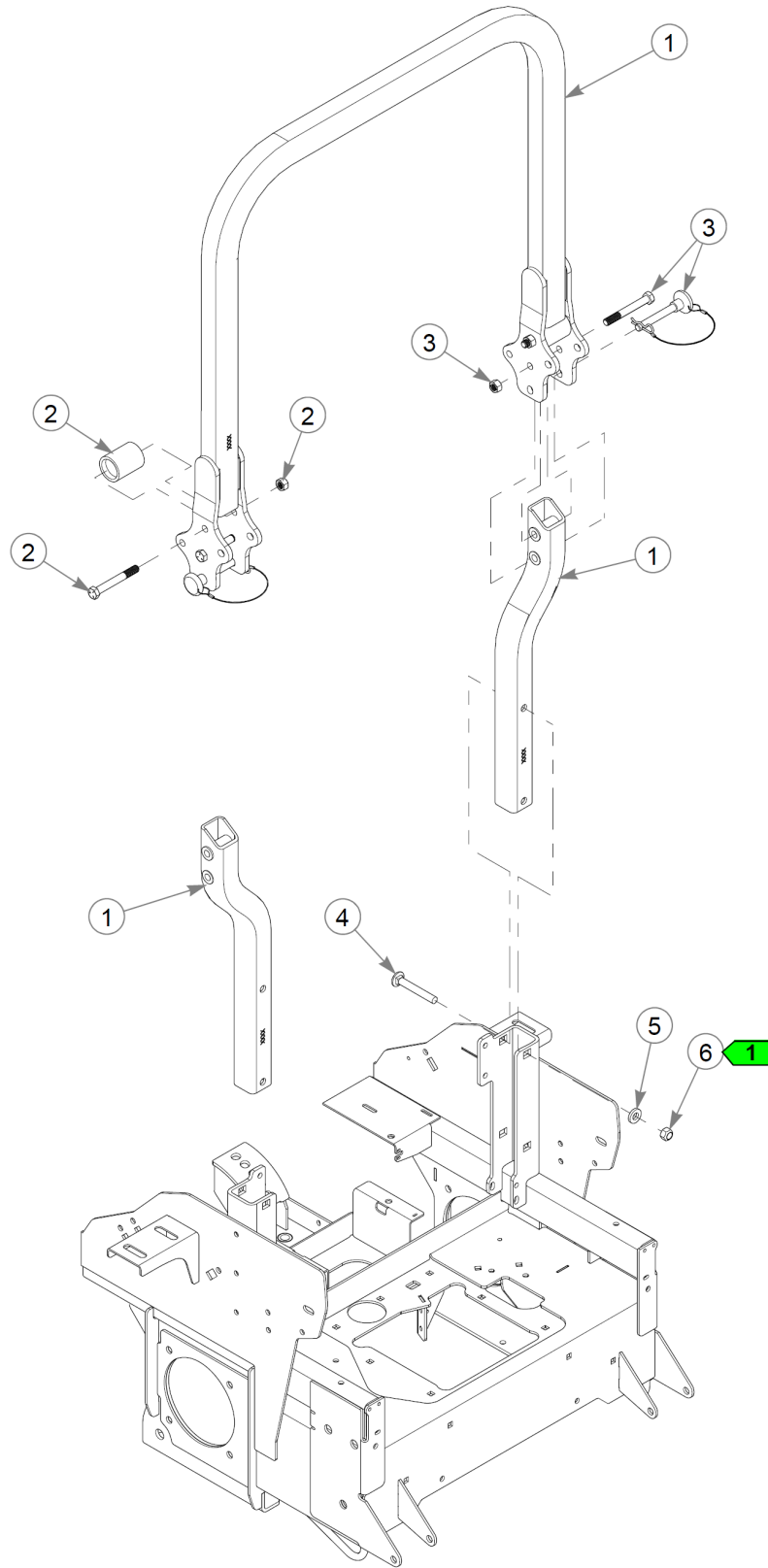
| Item | Part No. | Qty | Name |
|------|-----------|-----|--------------------------|
| 36 | 036244 | 2 | CS .375-16X1.00 HX G5 ZN |
| 37 | 609149 | 1 | LIMITING STRAP |
| 38 | 016899 | 2 | NT .375-16 FLKG5 |
| 39 | 735-05225 | 2 | BUMPER |
| 40 | 808477 | 1 | RIVET NUT, 1/4-20 THREA |
| 41 | 129299-4 | 1 | PIN W/A |
| 42 | 016147 | 1 | CS .250-20X0.750FLK |
| 43 | 609147 | 2 | SPACER, .625 OD .385 ID |
| 44 | 609146 | 1 | SPRING, COILOVER |
| 45 | 609141 | 1 | SPRING LOADED PIN ASM |
| 46 | 129296-1 | 1 | ADJUSTMENT MECH W/A |
| 47 | 056036 | 1 | CS .375-16X2.250HXG5 |
| 48 | 608000 | 2 | BUSHING |
| 49 | 609140 | 1 | CLEVIS PIN, 0.75" |
| 50 | 778399 | 2 | FW .781X1.38X.25 ZN |
| 51 | 609190 | 1 | CP .125DX1.25 LG HML ZNC |
| 52 | 055939 | 6 | CS .250-20X0.75 HX G5 ZN |
| 53 | 768515 | 6 | FW 0.281SAE |
| 54 | 129673-6 | 1 | COVER, TRANSMISSION RH |
| 55 | 129674-6 | 1 | COVER, TRANSMISSION LH |
| 56 | 601982 | 2 | CN .250-20X .150 MAX THK |

Comments for Page: Seat, Floor Pan, Suspension (Multi-Page)

1. Do not torque; the seat pan must pivot freely.
2. Torque to 17 ft-lbs.
3. Do not torque; the seat latch must pivot freely.
4. Torque to 27 ft-lbs.



| Item | Part No. | Qty | Name |
|------|----------|-----|-------------------------|
| 1 | 607207 | 1 | SVC, SEAT BELT |
| 2 | 607715 | 2 | SVC, ARM REST PAD KIT |
| 3 | 608936 | 1 | SVC, SEAT BACK COVER |
| 4 | 606082 | 1 | SVC, OPS |
| 5 | 607709 | 1 | SVC, RECLINER KNOB |
| 6 | 607711 | 1 | SVC, ARM REST KIT |
| 7 | 609167 | 1 | SVC, TRACK KIT |
| 8 | 609165 | 1 | SVC, SEAT CUSHION COVER |



ROPS

| Item | Part No. | Qty | Name |
|------|----------|-----|--------------------------|
| 1 | 609191P | 1 | SVC, ROPS ASSY SZ/X1/XRI |
| 2 | 608126 | 2 | SVC, ROPS ISOLATOR ASM |
| 3 | 608125 | 1 | ROPS HARDWARE KIT |
| 4 | 608568 | 4 | CB .500-13 X 3.500 G5 |
| 5 | 767962 | 4 | FW .531 x 1.063 x .175 |
| 6 | 023317 | 4 | NT .500-13UNTG8 |

Comments for Page: ROPS

1. Torque to 73 ft-lbs.